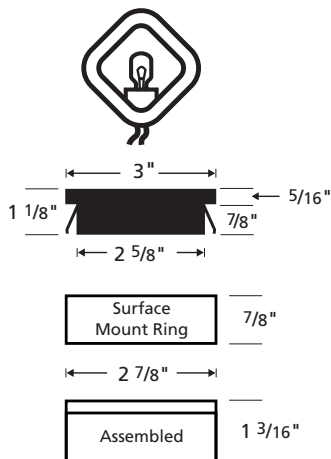


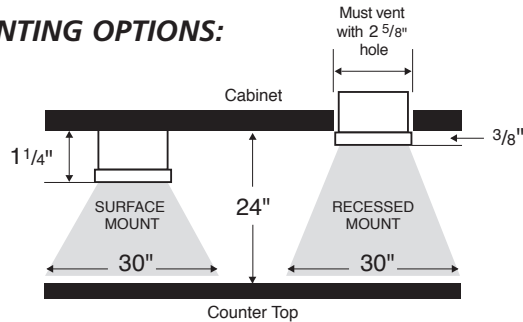
XENON MINI LIGHT



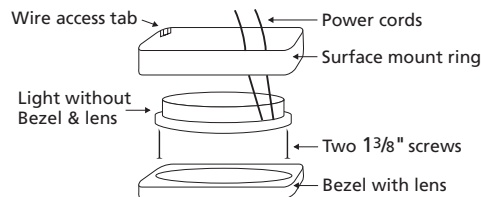
SCHEMATICS:



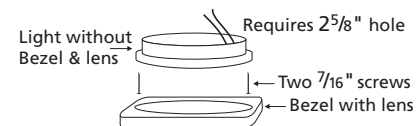
MOUNTING OPTIONS:



Surface Mount Schematic



Recessed Mount Schematic



DESCRIPTION:

Xenon 18 watt under cabinet light fixture. Approximately one-half the heat output of similar Halogen fixtures. Avg. bulb life of an impressive 10,000 hours. Does not emit harmful UV rays. Fully dimmable with a low voltage dimmer on the primary side of the transformer. Offer in six fixture finishes.

APPLICATIONS

- ▶ Under cabinets
- ▶ Display cases
- ▶ Furniture
- ▶ China cases
- ▶ Office work stations

FEATURES

- ▶ 12V 18 watt Xenon Bulbs
- ▶ Fixture is laboratory tested to have a heat output one-half of most Halogen mini lights
- ▶ 10,000 hour average bulb life, versus 2,500 hour for 20 watt Halogen bulbs
- ▶ Unit can be surface mounted or recessed
- ▶ 36" Leads
- ▶ Frosted Lens
- ▶ Unique modern fixture design
- ▶ Sold as both custom orders matching specific light fixtures, transformers, lead wires and connectors to specific applications, and 3-light, 54 watt retail kits

ORDERING LOGIC:

XML-Z-Y

Z = FIXTURE TYPE

F = Individual Fixture
3 = 3 Light Kit

Y = FIXTURE FINISH

W = White A = Aluminum
Z = Bronze G = Gold
B = Black C = Chrome

SPECIFICATIONS:

| | |
|----------------------------|--|
| Voltage | 12V |
| Bulb Specifications | 18 watt wedge base Xenon |
| Average Bulb Life | 10,000 hours |
| Fixture Finishes | Gold, chrome, white, black, bronze, aluminum |
| Packaging | Fixtures individually packed in blister packs with surface mounts and connector |
| Protective Features | Heat-resistant plastic design |
| Lens | Frosted |
| Leads | 36" |
| Agency Approval | ETL listed for use in cabinets and furniture with appropriate NSL transformer only |



| | |
|-----------------|--------------|
| PROJECT: | TYPE: |
| NOTES: | |