

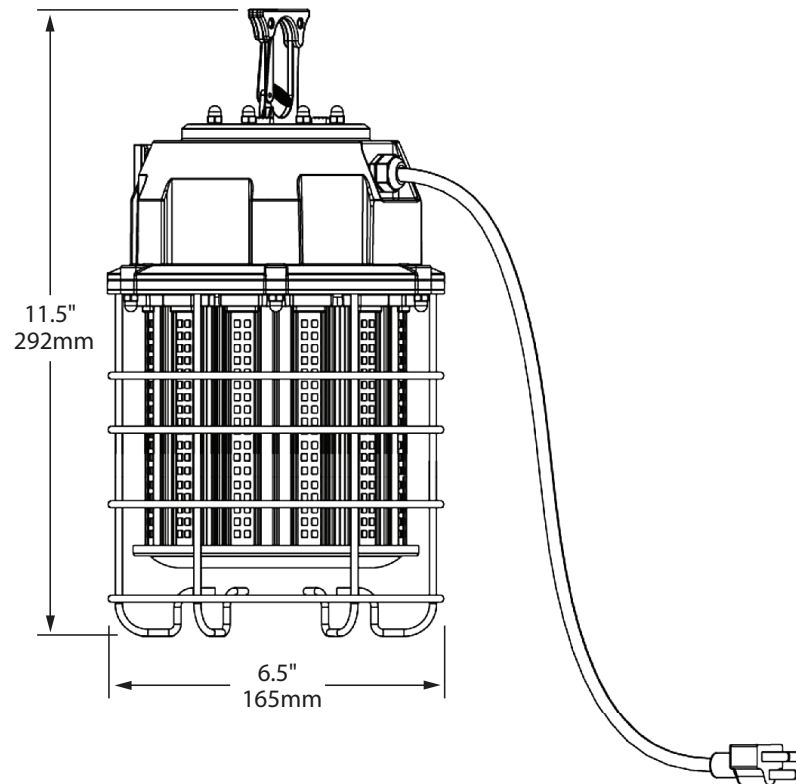
LED Work Light

FIXTURE INSTALLATION

LED Work Light

LWL-100W-50

Important: Read all instructions in order to ensure safety and proper installation.



MAINTENANCE

- Do not modify this fixture. Any modifications may render the product unsafe and void warranty.

Limited Warranty

The warranty applies to the product from the original date of purchase for five (5) years against manufacturing defects. The owner must provide a copy of the original proof of purchase. The manufacturer's obligation under this warranty is limited to repairing or replacing the component. It is not related in any way to the cost of the connection, the installation of the replacement parts or cost of transport.

Installation Options

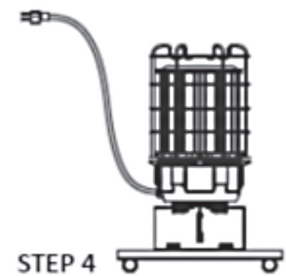
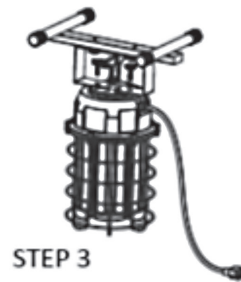
The LED Work Light includes a cord for plugging into 100-277VAC receptacles. Optionally, it can be mounted to:

- Floor Stand
- Magnetic Mounting Bracket
- Tripod

These accessories are available separately. In addition, the LED Work Light can be interconnected using the integrated receptacle, connecting a maximum of nine (9) units.

Floor Mount Installation Method

1. Assemble the floor stand first by attaching the connection bracket onto the H-shaped bracket.
2. Locate the two rubber plugs from the top side of the LED Work Light and remove them.
3. Align the holes of the H-shaped bracket with the exposed holes of the LED Work Light (where you removed the two rubber plugs) and secure the H-shaped bracket onto the light using the provided screws.
4. Stand the LED Work Light upwards using the floor stand.



Magnet Mount Installation Method

1. Locate the two rubber plugs from the top side of the LED Work Light and remove them.
2. Align the holes of the magnetic bracket with the exposed holes of the LED Work Light (where you removed the two rubber plugs) and secure magnetic bracket onto the light using the provided screws.
3. Using the magnetic bracket, attach the LED Work Light to suitable metal surface.



Tripod Installation Method

1. Ensure the Tripod legs are extended fully and stands on the ground stable before mounting the LED Work Light onto it.
2. Locate the two rubber plugs from the top side of the LED Work Light and remove them.
3. Align the holes of the mounting plate of the Tripod with the exposed holes of the LED Work Light (where you removed the two rubber plugs) and secure the light using the provided screws.

