

# LED Edgelit Puck Lights

The Edge Lit Puck Lights are sleek and powerful surface mount lighting fixtures, combining the easy installation with high performance LED's. Featuring strong internal magnets, they can be installed on metal surfaces, without screws or mounting holes.



## FEATURES

- 30,000 hours life
- Edgelit design with smooth light output
- Safe 24V low voltage operation
- Operating temperature: -30°C to 40°C
- Durable die-cast aluminum housing suitable for dry location
- Strong magnet and stamped steel plate for surface mounting
- 72 inch pre-installed lead wire
- 3-year limited warranty

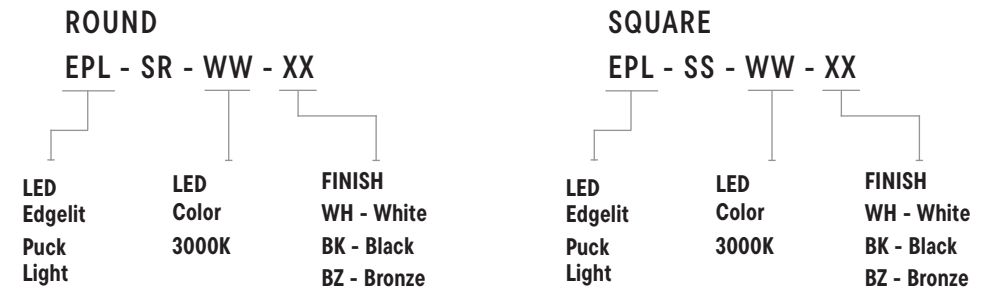
## APPLICATIONS

- Under cabinets
- Over cabinets
- Indirect lighting
- Display cases
- Furniture
- Shelf lighting

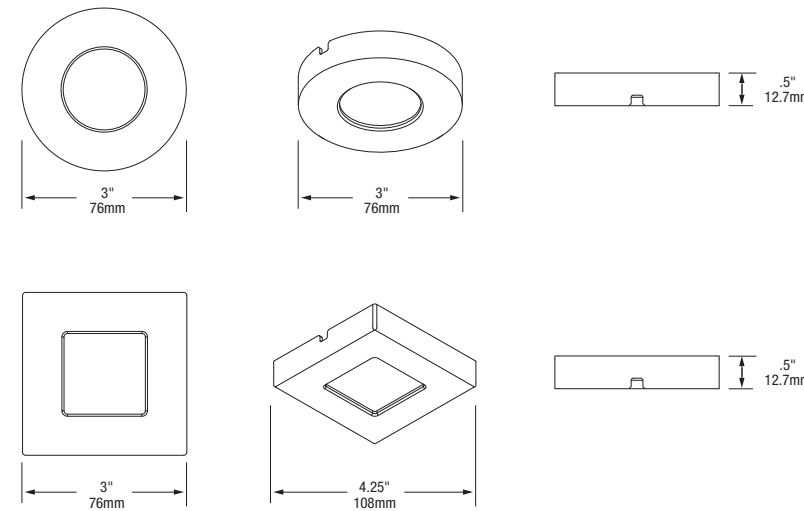
## SPECIFICATIONS

Product Code		EPL - SR - WW - XX (ROUND)	EPL - SS - WW - XX (SQUARE)
Electrical	Input Voltage	24V DC	
	Power Consumption	4W	
Specs	Color Temperature	3000K	
	CRI	90+	
	Lumens	200LM	
	Efficacy (LM/W)	50	
	Dimmable	Yes	
	Beam Angle	24/36/60° (Replacable)	
LED	Type	5630 SMD LEDs	
	Life Span	30,000 Hours	
Design	Dimensions (Inches)	3 x 0.5"	3 x 0.5"
	Dimensions (Millimeters)	76 x 12.7mm	76 x 12.7mm
	Finish	White, Black, Bronze	
	Material	Die-cast aluminum	
	Operating Temperature	-20 to 40°C	
	Approved Location	Indoor	
	Mounting	Surface mount	
Warranty	3 years		
Approvals	cETLus		

## PRODUCT CODE



## DIAGRAM



## ACCESSORIES



### LMSII-001

Terminal block and junction box for connection to additional lengths of power cable if needed.

## DIMMABLE DRIVERS

### TRE24L40DC

Max recommended load 36W or 9 Edge Lit Puck Lights, min 8W or 2 Edge Lit Puck Lights 6.77" x 2.67" x 1.26" (171 x 68 x 32mm)

### TRE24L96DC

Max recommended load 92W or 23 Edge Lit Puck Lights, min 8W or 2 Edge Lit Puck Lights 6.77" x 2.67" x 1.26" (171 x 68 x 32mm)

## NON-DIMMABLE DRIVERS

### LEDDR-24-120W

Indoor/Outdoor driver  
 Max. recommended load 96W or 24 Edge Lit Puck Lights per single tap, 120W or 30 Edge Lit Puck Lights combined two secondary taps.  
 120W hardwire  
 Input: 100 - 240V AC  
 Output: 24V DC  
 10" x 3 3/8" x 3 3/16" (254 x 85.7 x 80.9mm)