



Landscape Lighting

NSL

NATIONAL SPECIALTY LIGHTING
YOUR TRUSTED LIGHTING PARTNER

📍 2299 Kenmore Avenue Tonawanda, New York 14207

☎ 303.926.1100 ✉ nslsales@nslusa.com 🌐 www.nslusa.com

Uplight (Wattage Adjustable)

Engineered for durability and flexibility, this LED Uplight achieves up to 900 lumens of brightness with adjustable wattage, complemented by a choice of three beam spreads.



FEATURES

- Adjustable wattage control
- High lumen output
- Durable die-cast aluminum
- Versatile beam spread
- Sleek black finish
- Wide voltage compatibility
- Warm light temperature
- Easy installation design
- Weather-resistant coating
- Long-lasting, 15 years warranty

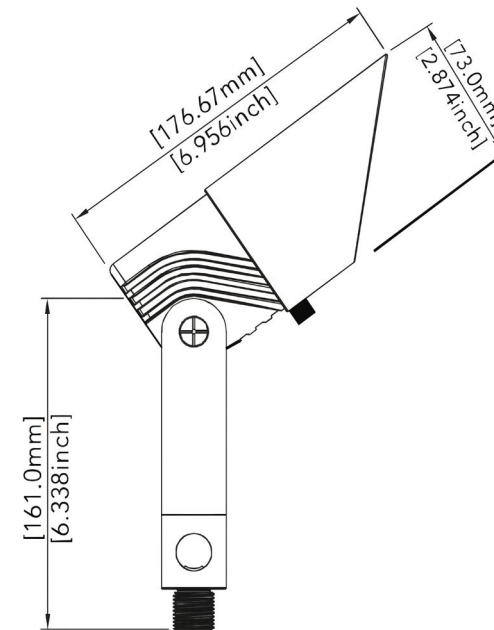
APPLICATIONS

- Garden lighting
- Facade lighting
- Pathway safety
- Security lighting
- Sign lighting
- Patio ambiance



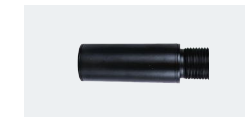
SPECIFICATIONS		
Product Code	UP-01-12V-BLK	
Electrical	Input Voltage	9-17V AC/DC
	Power Consumption	0-12W (Adjustable)
Specs	Colour Temperature	3000K
	CRI	85
	Lumen Output	900LM Max.
	Efficacy (LM/W)	83
	Dimmable	No, but wattage adjustable
	IP Rating	IP65
	Beam Angle	24/36/60° (Replacable)
LED	Life Span	50,000 Hours
Design	Dimensions (Inches)	6.4 x 6.7 x 2.9"
	Dimensions (Millimeters)	161 x 177 x 73mm
	Finish	Black powder coating
	Material	Die-cast aluminum
	Operating Temperature	-20 to 40°C
	Approved Location	Outdoor
	Mounting	Via Stake
Warranty	15 years	
Approvals	cETLus	

DIAGRAM

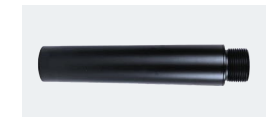


NOTE: Comes with a mounting stake to ensure a hassle-free installation.

ACCESSORIES



ACC-3R-BLK
3 Inch Riser Black



ACC-7R-BLK
7 Inch Riser Black

- 3 inches long
- 1 Male and 1 Female end
- ½ inch NPSM thread
- Cast brass
- Black Finish
- 7 inches long
- 1 Male and 1 Female end
- ½ inch NPSM thread
- Cast brass
- Black Finish



ACC-12G-2C-BUR
Landscape burial wire, 12G, 2C - 500ft spool

ACC-12G-2C-BUR-XX
Landscape burial wire, 12G, 2C - custom cuts

NOTE: A transformer is required. See page 106 to 109.

Uplight (RGBW)

Elevate your ambiance with the RGBW Uplight, capable of shining in a myriad of colors at up to 500 lumens, featuring smart app connectivity for easy adjustments, and built with a robust die-cast aluminum body.



FEATURES

- Adjustable wattage control
- Multiple RGBW colors
- 24/36/60° beam angles
- Durable aluminum construction
- Smart app control
- WiFi/Bluetooth enabled
- 9-17V AC/DC compatible
- Sleek black finish
- Long-lasting, 15 years warranty

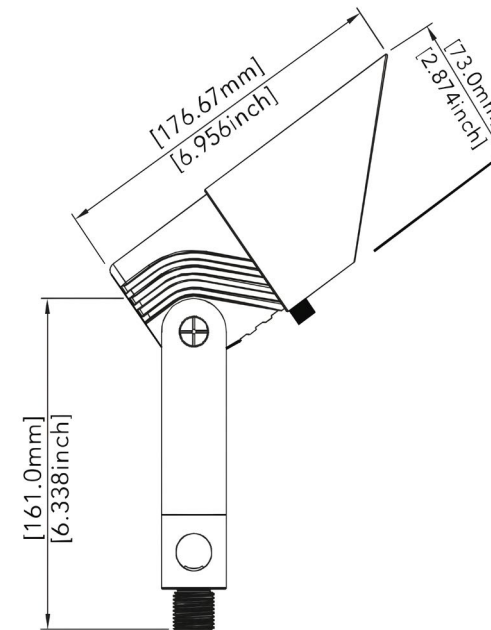
APPLICATIONS

- Accent lighting
- Path illumination
- Garden highlights
- Security lights
- Art spotlights
- Event lighting



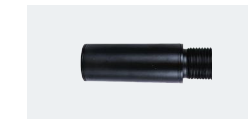
SPECIFICATIONS		
Product Code	UP-02-12V-BLK	
Electrical	Input Voltage	9-17V AC/DC
	Power Consumption	0-8W (Adjustable)
Specs	Colour Temperature	RGB
	CRI	85
	Lumen Output	500LM Max.
	Efficacy (LM/W)	70
	Dimmable	No, but wattage adjustable
	IP Rating	IP65
	Beam Angle	24/36/60° (Replacable)
LED	Life Span	50,000 Hours
Design	Dimensions (Inches)	6.4 x 6.7 x 2.9"
	Dimensions (Millimeters)	161 x 177 x 73mm
	Finish	Black powder coating
	Material	Die-cast aluminum
	Operating Temperature	-20 to 40°C
	Approved Location	Outdoor
	Mounting	Via Stake
Warranty	15 years	
Approvals	cETLus	

DIAGRAM



NOTE: Comes with a mounting stake to ensure a hassle-free installation.

ACCESSORIES



ACC-3R-BLK
3 Inch Riser Black



ACC-7R-BLK
7 Inch Riser Black

- 3 inches long
- 1 Male and 1 Female end
- ½ inch NPSM thread
- Cast brass
- Black Finish
- 7 inches long
- 1 Male and 1 Female end
- ½ inch NPSM thread
- Cast brass
- Black Finish



ACC-12G-2C-BUR
Landscape burial wire, 12G, 2C - 500ft spool

ACC-12G-2C-BUR-XX
Landscape burial wire, 12G, 2C - custom cuts

NOTE: A transformer is required. See page 106 to 109.

12V Mini Flood Light

This compact yet powerful 12V Mini Flood light, with a customizable wattage between 1 and 5 watts, provides a luminous output of 80-400 lumens, encased in a durable cast brass housing.



FEATURES

- Adjustable wattage control
- 80-400 lumen output
- Integrated 12V LED
- Cast brass housing
- 3000K warm light
- Black or bronze finish
- Spike mounting option
- Wide beam angle
- Long-lasting, 15 years warranty
- Smart control compatibility

APPLICATIONS

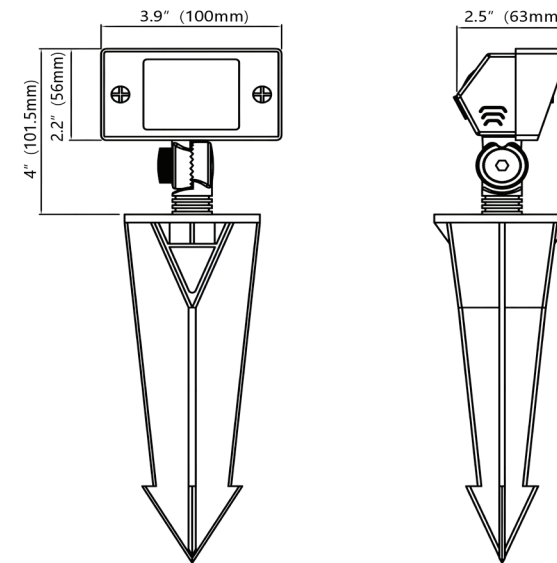
- Path illumination
- Outdoor accents
- Security lighting
- Architectural highlights
- Event ambiance
- Patio glow



SPECIFICATIONS

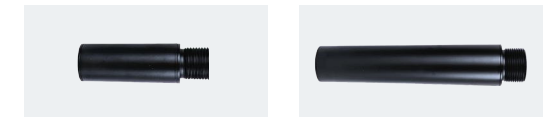
Product Code	FL-01-12V-BLK	
Electrical	Input Voltage	12V AC/DC
	Power Consumption	1-5W
Specs	Colour Temperature	2700K, 3000K
	CRI	85
	Lumen Output	400LM
	Efficacy (LM/W)	80
	Dimmable	No, wattage adjustable
	Beam Angle	120°
LED	Life Span	50,000 Hours
Design	Dimensions (Inches)	4 x 3.9 x 2.5"
	Dimensions (Millimeters)	101.5 x 100 x 63mm
	Finish	Black
	Material	Solid Brass Casting
	Operating Temperature	-20 to 40°C
	Approved Location	Outdoor
	Mounting	Via Stake
Warranty	15 years	
Approvals	cETLus	

DIAGRAM



NOTE: Comes with a mounting stake to ensure a hassle-free installation.

ACCESSORIES



ACC-3R-BLK
3 Inch Riser Black

ACC-7R-BLK
7 Inch Riser Black

- 3 inches long
- 1 Male and 1 Female end
- ½ inch NPSM thread
- Cast brass
- Black Finish
- 7 inches long
- 1 Male and 1 Female end
- ½ inch NPSM thread
- Cast brass
- Black Finish



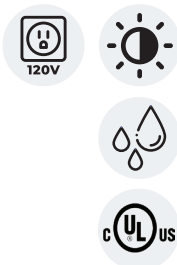
ACC-12G-2C-BUR
Landscape burial wire, 12G, 2C - 500ft spool

ACC-12G-2C-BUR-XX
Landscape burial wire, 12G, 2C - custom cuts

NOTE: A transformer is required. See page 106 to 109.

120V Mini Flood Light (CCT)

Achieve perfect outdoor lighting for any occasion with CCT Adjust Mini Flood Lights, featuring adjustable CCTs for versatile illumination. Their compact size and high efficiency make them a smart choice for diverse landscape applications.



FEATURES

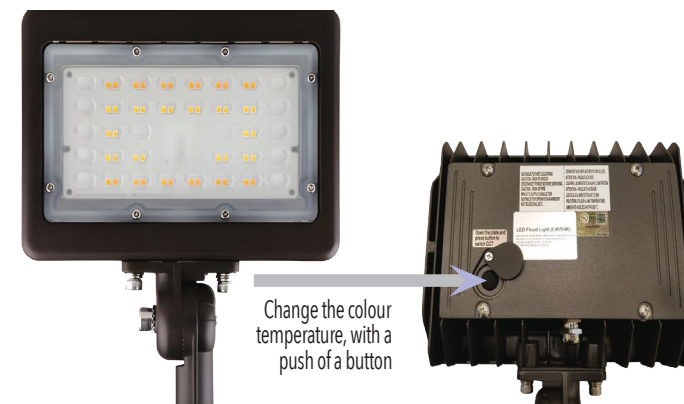
- Adjustable CCT (3000K/4000K/5000K)
- High lumen output
- Easy installation
- Wide beam angle
- Long lifespan (50,000 hours)
- Instant start, no flicker
- Wattage options (15W, 30W, 50W)
- Wet location rated
- 5 years warranty

APPLICATIONS

- Facade accenting
- Garden highlights
- Outdoor art display
- Parking areas
- Entryway illumination
- Commercial exteriors

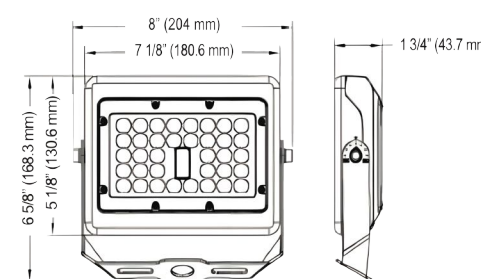
SPECIFICATIONS

Product Code	FL-15-CT	FL-30-CT	FL-50-CT	
Electrical	Input Voltage	100 -277V AC		
	Power Consumption	15W	30W	50W
Specs	Colour Temperature	3000/4000/5000K		
	CRI	80+		
	Lumen Output	3000K: 1725-1950LM	3000K: 3450-3900LM	3000K: 5750-6500LM
		4000K: 2025-2250LM	4000K: 4050-4500LM	4000K: 6750-7500LM
		5000K: 1875-2100LM	5000K: 3750-4200LM	5000K: 6250-7000LM
	Efficacy (LM/W)	Up to 150		
	Dimmable	No, but wattage adjustable		
Beam Angle	150° x 120° (7H6V)			
LED	Type	SMD3030 (1W)		
	Life Span	50,000 Hours		
Design	Dimensions (Inches)	6 5/8 x 8 x 1 3/4"	6 5/8 x 8 x 1 3/4"	7 5/16 x 9 7/16 x 1 15/16"
	Dimensions (Millimeters)	168.3 x 204 x 43.7 mm	168.3 x 204 x 43.7 mm	201 x 239 x 49 mm
	Finish	Black		
	Material	N/A		
	Operating Temperature	-20 to 50°C		
	Approved Location	Wet		
	Mounting	Via Stake		
Warranty	5 years			
Approvals	cULus listed for wet locations			

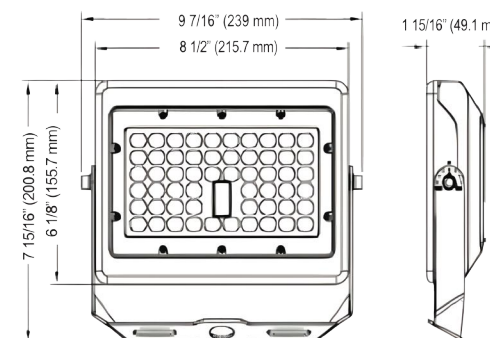


DIAGRAM

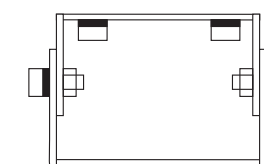
15W and 30W



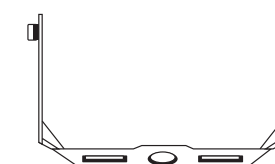
50W



MOUNTING ACCESSORIES



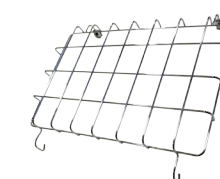
FL-TR
Trunnion mount bracket
To use for wall and ground mount



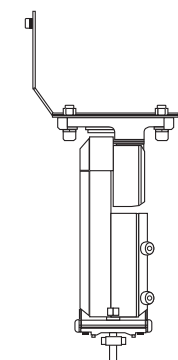
FL-Y-15/30/50
Yoke mount bracket
To use for wall and ground mount



FL-SH-15/30/50
Glare shield



FL-WG-15/30/50
Wire guard



FL-ADM-15/30/50
Universal mount bracket
For use on poles

Modern Pathway Light

Designed for the modern landscape, this L-shaped Pathway Light offers an adjustable light output of 80-240 lumens and a warm 3000K temperature, creating a welcoming atmosphere for any outdoor setting.



FEATURES

- L-shaped contemporary design
- Adjustable 1-3W wattage
- Integrated 9-17V LED
- Warm 3000K temperature
- Durable cast aluminum
- Frosted lens diffusion
- Easy spike mounting
- 18/2 wire pigtail
- Full/half light mode
- Serviceable LED module
- Wet location listed
- Long-lasting, 15 years warranty

APPLICATIONS

- Pathway illumination
- Garden lighting
- Outdoor accent
- Entryway paths
- Architectural highlights
- Safety lighting



SPECIFICATIONS		
Product Code	WF-01-12V-BLK	
Electrical	Input Voltage	9-17V AC/DC
	Power Consumption	1-3W
Specs	Colour Temperature	3000K
	CRI	85
	Lumen Output	80-240LM
	Efficacy (LM/W)	77
	Dimmable	No, but wattage adjustable
	IP Rating	IP65
	Beam Angle	150° (Replacable)
LED	Life Span	50,000 Hours
Design	Dimensions (Inches)	21 1/4 x 6 1/8 x 7/8"
	Dimensions (Millimeters)	540.2 x 154 x 22mm
	Finish	Black
	Material	Aluminum
	Operating Temperature	-40 to 40°C
	Approved Location	Outdoor
	Mounting	Via Stake
Warranty	15 years	
Approvals	cETLus	

DIAGRAM



NOTE: Comes with a mounting stake to ensure a hassle-free installation.

ACCESSORIES



ACC-12G-2C-BUR

Landscape burial wire, 12G, 2C - 500ft spool

ACC-12G-2C-BUR-XX

Landscape burial wire, 12G, 2C - custom cuts

NOTE: A transformer is required. See page 108 to 111.

Round Tea-Hat Pathway Light

The Round Tea-Hat Light redefines pathway illumination with its unique round hat design, offering an energy-efficient solution to brighten outdoor settings, backed by a durable construction..



FEATURES

- Wattage adjustable
- Broad lumen range
- Low-voltage efficiency
- Warm color temperature
- Durable cast aluminum construction
- Hastle-free installation
- Spike-mounted for stability
- Sleek black finish
- Easy-connect 18/2 wire pigtail
- Long-lasting, 15 years warranty

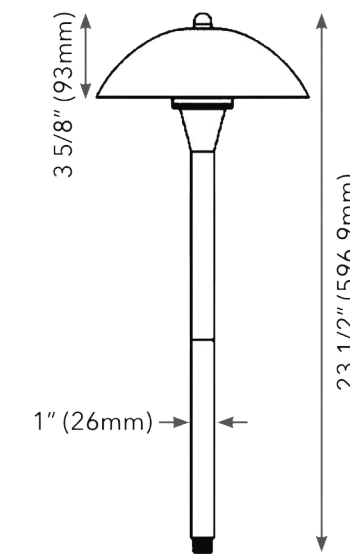
APPLICATIONS

- Pathway lighting
- Landscape accent
- Garden paths
- Entrance lighting
- Recreational areas



SPECIFICATIONS		
Product Code	WF-03-12V-BLK	
Electrical	Input Voltage	9-17V AC/DC
	Power Consumption	1-3W
Specs	Colour Temperature	3000K
	CRI	85
	Lumen Output	80-240LM
	Efficacy (LM/W)	80
	Dimmable	No, but wattage adjustable
	IP Rating	IP65
	Beam Angle	150°
LED	Life Span	50,000 Hours
Design	Dimensions (Inches)	23 1/2 x 3 5/8 x 1"
	Dimensions (Millimeters)	597 x 93 x 26mm
	Finish	Black
	Material	Aluminum
	Operating Temperature	-40 to 40°C
	Approved Location	Outdoor
	Mounting	Via Stake
Warranty	15 years	
Approvals	cETLus	

DIAGRAM



NOTE: Comes with a mounting stake to ensure a hassle-free installation.

ACCESSORIES



ACC-12G-2C-BUR

Landscape burial wire, 12G, 2C - 500ft spool

ACC-12G-2C-BUR-XX

Landscape burial wire, 12G, 2C - custom cuts

NOTE: A transformer is required. See page 106 to 109.

Heavy Duty Classic Pathway Light

Upgrade outdoor spaces with the Classic Top Pathway Light, blending traditional aesthetics with energy-saving LED in a durable brass fixture.



FEATURES

- Heavy cast brass construction
- Integrated 3000K LED chip
- 12V energy-saving operation
- Spike mounting simplicity
- Reliable 18/2 wire connection
- Classic design, modern tech
- Easy integration into landscapes
- Weather-resistant for outdoor use
- Long-lasting, 15 years warranty

APPLICATIONS

- Pathway lighting
- Garden enhancement
- Architectural accents
- Decorative outdoor
- Entrance highlighting
- Driveway borders



SPECIFICATIONS		
Product Code	WF-04-12V-BLK	
Electrical	Input Voltage	12V AC/DC
	Power Consumption	5W
Specs	Colour Temperature	2700K, 3000K
	CRI	85
	Lumen Output	400LM
	Efficacy (LM/W)	80
	Dimmable	No
	IP Rating	IP65
	Beam Angle	150°
LED	Life Span	50,000 Hours
Design	Dimensions (Inches)	14.96 x 6.6"
	Dimensions (Millimeters)	380 x 168mm
	Finish	Black
	Material	Die-cast brass
	Operating Temperature	-20 to 40°C
	Approved Location	Outdoor
	Mounting	Via Stake
Warranty	15 years	
Approvals	cETLus	

DIAGRAM



NOTE: Comes with a mounting stake to ensure a hassle-free installation.

ACCESSORIES



ACC-12G-2C-BUR

Landscape burial wire, 12G, 2C - 500ft spool

ACC-12G-2C-BUR-XX

Landscape burial wire, 12G, 2C - custom cuts

NOTE: A transformer is required. See page 108 to 111.

Commercial Bollards

Engineered for outdoor resilience, bollard lights provide efficient, low-glare lighting, perfect for enhancing visibility and ambiance in landscape areas.



FEATURES

- 3 base heights and 2 head options
- Input voltage range: 120-347V AC
- High efficiency: >92% power efficiency
- Dimmable: 0-10V dimming
- Surge protection: 4KV/6KV
- Tunable CCT: 3000/4000/5000K
- Wide beam angle: 110°×105°
- Durable build: IP65 rating, die-cast aluminum housing
- Long lifespan: >50,000 hours
- Certifications: ETL/DLC 5.1 premium
- Warranty: 5 years

APPLICATIONS

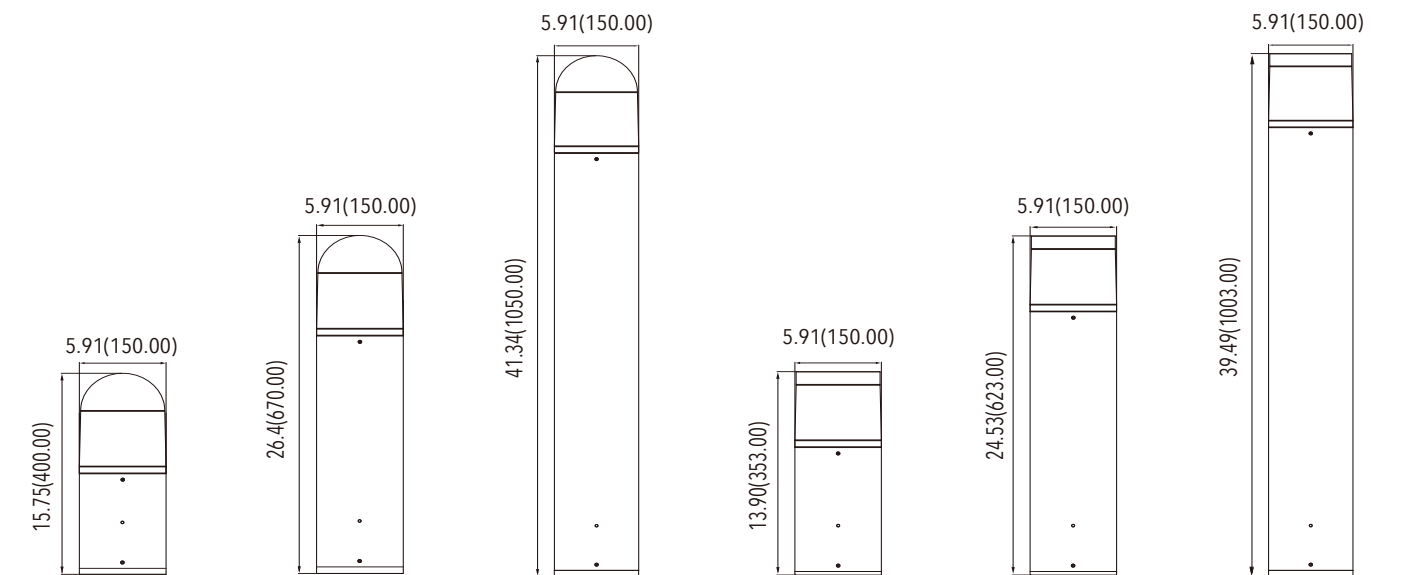
- Pathways and walkways
- Gardens and flower beds
- Driveways and entrances
- Outdoor seating areas
- Pool decks and water features
- Perimeter and boundary lighting



SPECIFICATIONS

Product Code	Head	WF-CB-MV-H-RMW (Round)		WF-CB-MV-H-FMW (Flat)
	Body	WF-CB-MV-BD1050	WF-CB-MV-BD670	WF-CB-MV-BD400
Electrical	Input Voltage	120-347V AC		
	Power Consumption	25/20/15/8W		
Specs	Colour Temperature	3000/4000/5000K (TUNABLE)		
	CRI	70+		
	Lumen Output	3,125/2,500/1,875/1,000LM		
	Efficacy	125 LM/W		
	Dimmable	0-10V		
	Beam Angle	110° × 105°		
LED	Type	3030		
	Life Span	>50,000 Hours		
Design	Dimensions (Inches)	R: H= 41.34" F: H = 39.49"	R: H= 26.4" F: H = 24.53"	R: H= 15.75" F: H = 13.90"
		W= 5.91"		
	Dimensions (Millimeters)	R: H= 1050mm F: H = 1003mm	R: H= 670mm F: H = 623mm	R: H= 400mm F: H = 353mm
		W= 150mm		
	Finish	Black		
	Material	Die-cast Aluminum		
Operating Temperature	-40°F to 104°F (-40°C to 40°C)			
Approved Location	Outdoor			
Mounting	Via base, refer to instructions for details			
Warranty	5 years			

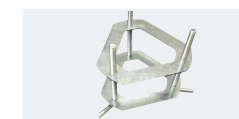
DIAGRAM



ACCESSORIES



WF-CB-SP
Surge Protector



WF-CB-MT
Anchor Bolt Carrier

NOTE: Fixture Head (Round or Flat) and Body are to be ordered separately.

Surface Mount Deck/Riser Light



Create a welcoming atmosphere on decks and pathways with a light that adjusts to your preferences; easy installation for immediate impact.

FEATURES

- Adjustable wattage from 1W to 3W with a dip switch
- 70° beam spread
- 85 CRI
- Warm glow (3000K)
- Sleek black finish
- Quick setup with 18/2 wire pigtail
- Cast aluminum housing
- Wet location listed
- Long-lasting, 15 years warranty

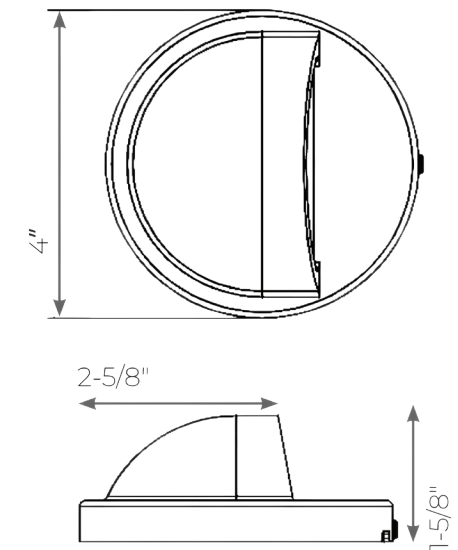
APPLICATIONS

- Pathway illumination
- Deck lighting
- Step safety
- Garden ambiance
- Entrance highlighting
- Fence lighting



SPECIFICATIONS		
Product Code	WF-02-12V-BLK	
Electrical	Input Voltage	12/24V AC/DC
	Power Consumption	0-3W (Adjustable)
Specs	Colour Temperature	3000K
	CRI	85
	Lumen Output	60-180LM
	Efficacy (LM/W)	60
	Dimmable	No, but wattage adjustable
	IP Rating	IP65
	Beam Angle	70°
LED	Life Span	50,000 Hours
Design	Dimensions (Inches)	4 x 2 5/8"
	Dimensions (Millimeters)	101.6 x 66.67 mm
	Finish	Black
	Material	Aluminum
	Operating Temperature	-40 to 40°C
	Approved Location	Outdoor
	Mounting	Via screws to wall
Warranty	15 years	
Approvals	cETLus	

DIAGRAM



ACCESSORIES



ACC-12G-2C-BUR

Landscape burial wire, 12G, 2C - 500ft spool

ACC-12G-2C-BUR-XX

Landscape burial wire, 12G, 2C - custom cuts

Outdoor Wall Sconce

A contemporary style wall sconce suitable for interior and exterior use. Available in three finishes and three interchangeable covers to suit a variety of applications,



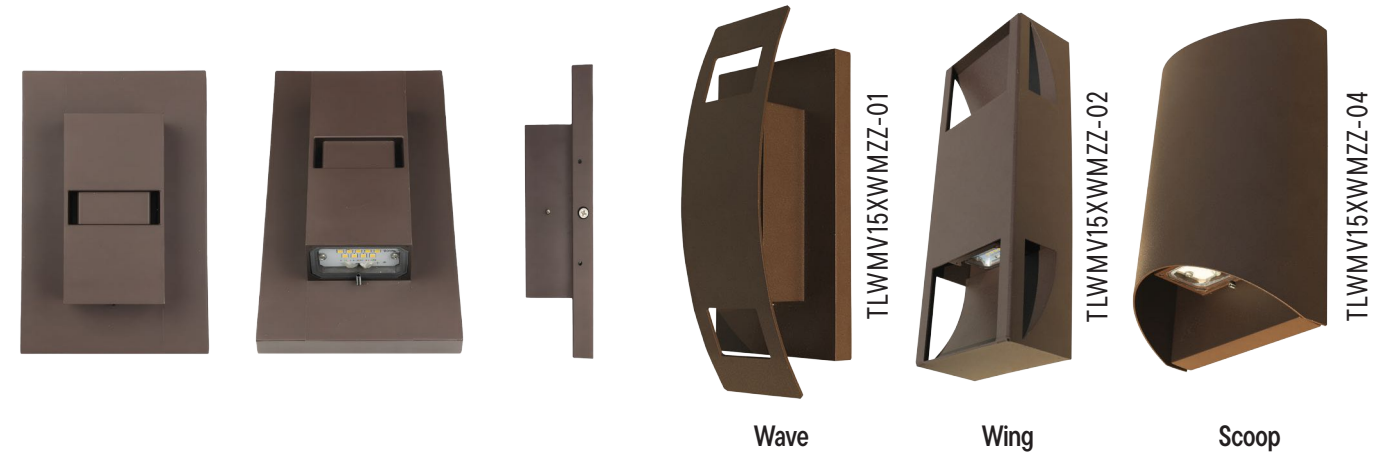
FEATURES

- Housing: Rugged aluminum construction
- 120V - 277V AC input voltage
- Lumen output 1300LM
- CRI 80+
- LED life: 50,000 hours
- Powder coated finish
- 120° beam angle
- ADA compliant
- Finishes: Brown, Black and Silver
- Three interchangeable covers: Wave, Wing and Scoop
- cULus listed for wet locations

APPLICATIONS

- Exterior residential & commercial
- Entrance ways
- Hallway lighting
- Patio & deck Lights
- Hotel hallways & restaurants
- Stairways & lobbies

3 COVER OPTIONS (Sold separately)



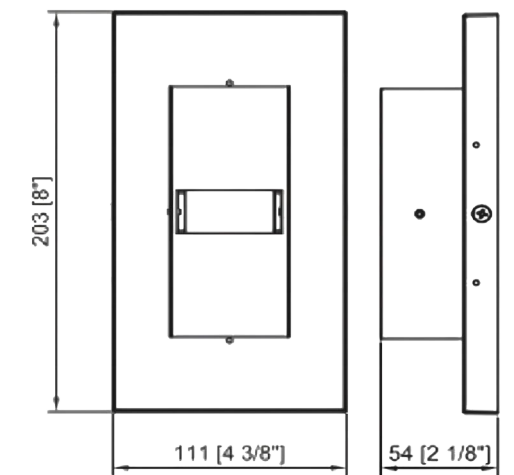
PRODUCT CODES

DIAGRAM

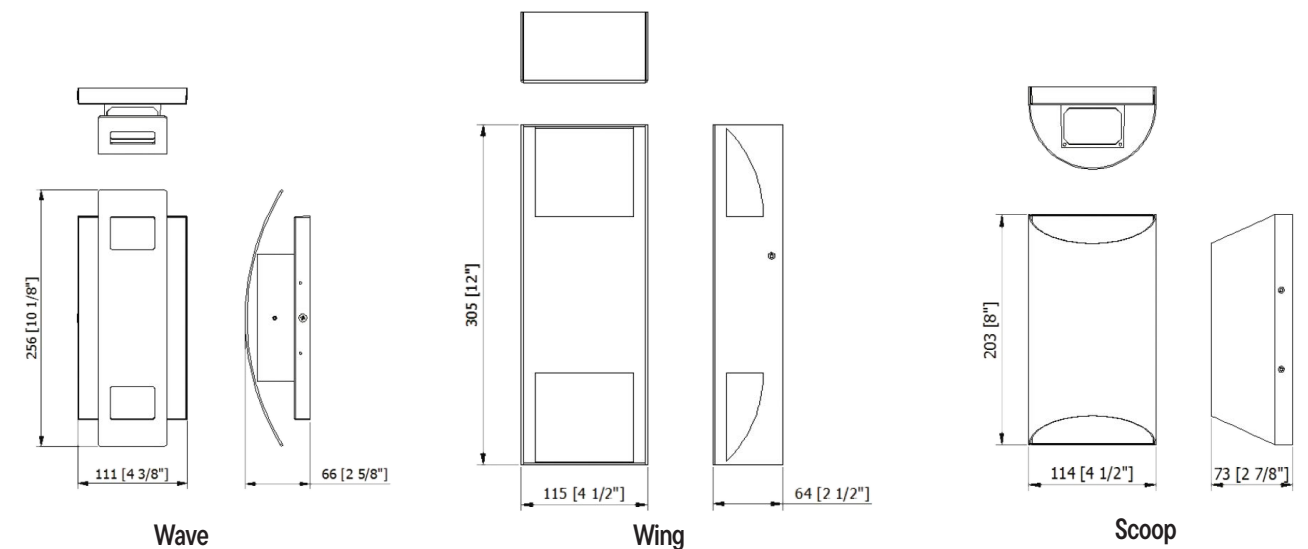
SPECIFICATIONS		
Product Code	TLWMV15XWMZZ	
Electrical	Input Voltage	120V - 277V AC
	Power Consumption	15W
Specs	Colour Temperature	3000/4000K
	CRI	80+
	Lumen Output	1300LM
	Efficacy (LM/W)	60
	Dimmable	No
	Beam Angle	120°
LED	Type	LUMILED 3030
	Life Span	>50,000 Hours
Design	Dimensions (Inches)	8 x 4 3/8 x 2 1/8"
	Dimensions (Millimeters)	203 x 111 x 54mm
	Finish	Powder coated finish
	Material	Aluminum
	Operating Temperature	-20 to +40°C
	Approved Location	Outdoor
	Mounting	Wall
Warranty	5 years	
Approvals	cULus listed for wet locations	

TLWMV15XWMZZ

- LED Outdoor Sconce**
- COLOUR OF LED**
3 - 3000K
4 - 4000K
- FINISH**
BR - Brown
BK - Black
SV - Silver



DIAGRAMS (COVERS)



Brick Star (Gen II)

LED Brick Star enhances stairs, aisles, and paths with attractive, cost-effective lighting, designed to fit standard brick sizes for easy integration and optimal performances,



FEATURES

- Long-lasting 40,000-hour LED
- Ultra-low energy use: 5.2 watts
- High color accuracy: CRI 80+
- Lens: Frosted tempered glass
- Standard 120VAC input
- Supports up to 150 units per tap
- Durable die-cast aluminum build
- Available in fluorocarbon can with stainless steel louvre cover
- Standard brick size fit
- Compatible with TRIAC dimmers
- 3 years warranty

APPLICATIONS

- Brick walls
- Exterior steps
- Interior steps
- Aisles
- Halls
- Paths
- Patio lighting
- Entry lighting
- Ceilings
- Showers

SPECIFICATIONS

Product Code	LBR-II-X-WH-YY	
Electrical	Input Voltage	120V AC
	Power Consumption	5.2W
Specs	Colour Temperature	3000K
	CRI	80+
	Lumen Output	468LM
	Efficacy (LM/W)	90
	Dimmable	Yes, with TRIAC dimming systems
	Beam Angle	N/A
LED	Life Span	>40,000 Hours
Design	Dimensions (Inches)	3 x 9"
	Dimensions (Millimeters)	76.2 x 226.6mm
	Can Finish	Powder Coated White or Fluorocarbon Lacquer (Stainless Steel)
	Cover Finish	White, Black, Bronze, Aluminum or Stainless Steel finish only available in Louvre cover
	Lens	Frosted tempered glass
	Max Single Run Length	Can be daisy chained up to 150 fixtures per 15A circuit
	Approved Location	Wet and IC locations, concrete pour, shower
Warranty	3 years	
Approvals	cETLus listed for wall, ceiling, wet and IC locations	

NOTE: When installing LED Brick Star in harsh environments (such as limestone, salted areas, coastal environments, etc.) please use the stainless steel version to avoid the risk of corrosion to the body of the fixture.



PRODUCT CODES

LBR - II - X - WH - YY

LED Brick Star	COVER	COLOUR OF LED	COVER FINISH
	P - Prism	3000K	WH - White
	S - Scoop		BK - Black
	L - Louvre		BZ - Bronze
			AL - Aluminum
			SS - Stainless Steel

REPLACEMENT KIT

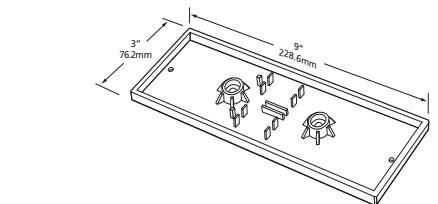
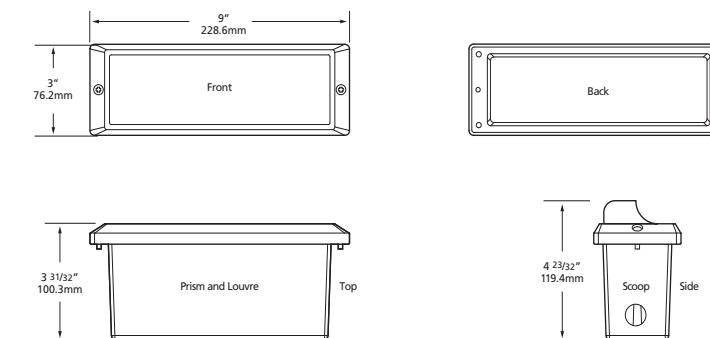
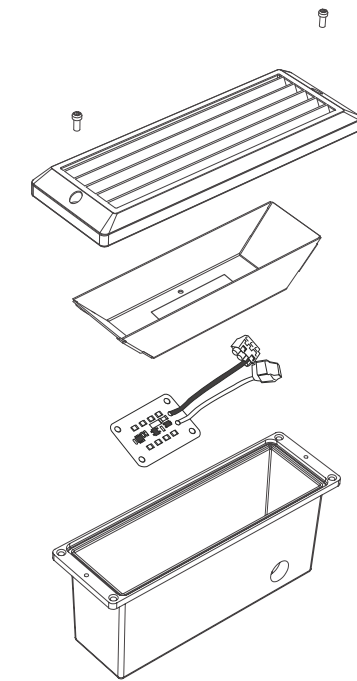
LBR-II-KIT

CONCRETE CAP

BL-CC

- NOTE: Stainless Steel finish available in Louvre cover only.
- Concrete cap for concrete pour installations.
- NOTE: For outdoor installations, a 1/2" liquid tight strain relief is recommended.

DIAGRAM



Concrete Cap (for concrete pour installations)

- Product Code: **BL-CC**
- **IMPORTANT:** It is recommended that you use Magic Lite / NSL's Concrete Cap for concrete pour installations. These caps assist in providing a proper reveal for flush mount of fixture cover after concrete is dry.

Step Star (Gen II)

LED Step Star offers durable, energy-efficient lighting for stairs and pathways, suitable for both indoor and outdoor use, with a robust cast aluminum build ideal for concrete installations.



FEATURES

- 40,000-hour LED lifespan
- Ultra-low energy use: 5.2 watts
- Color accuracy with CRI 80+
- Lens: Frosted tempered glass
- Supports 120VAC power input
- Up to 150 units per 120VAC circuit
- Durable die-cast aluminum enclosure
- Versatile indoor/outdoor certification (cETLus)
- Compatible with TRIAC dimmers
- 3 years warranty

APPLICATIONS

- Interior stairs
- Exterior stairs
- Aisles
- Hallways
- Paths
- Public areas
- Emergency lighting
- Theaters
- Patios
- Decks

SPECIFICATIONS

SPECIFICATIONS		
Product Code	LST-II-X-WH-YY	
Electrical	Input Voltage	120V AC
	Power Consumption	5.2W
Specs	Colour Temperature	3000K
	CRI	80+
	Lumen Output	468LM
	Efficacy (LM/W)	90
	Dimmable	Yes, with TRIAC dimmable systems
	Beam Angle	N/A
LED	Life Span	>40,000 Hours
Design	Dimensions (Inches)	3 x 9"
	Dimensions (Millimeters)	76.2 x 228.6mm
	Can Finish	Powder Coated White
	Cover Finish	White, Black, Bronze, and Aluminum
	Lens	Can be daisy chained up to 150 fixtures per 15A circuit
	Approved Location	Wet and IC locations
	Mounting	Wall, ceiling
Warranty	3 years	
Approvals	cETLus listed for wall, ceiling, wet and IC locations	

Wiring Options: 20V AC hardwire – can be daisy chained up to 150 fixtures per 15A circuit.

PRODUCT CODES

LST - II - X - WH - YY

LED	COVER	COLOUR OF LED	COVER FINISH
Step Star	P - Prism	3000K	WH - White
Gen II	S - Scoop		BK - Black
	L - Louvre		BZ - Bronze
			AL - Aluminum

REPLACEMENT KIT

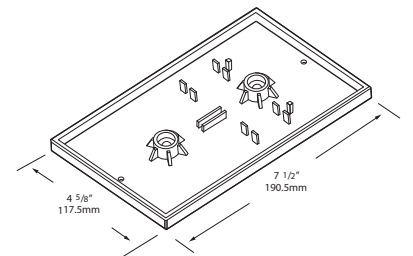
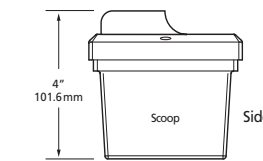
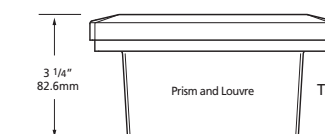
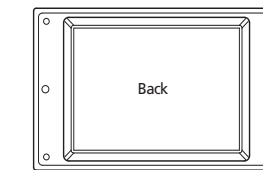
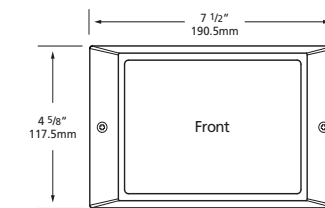
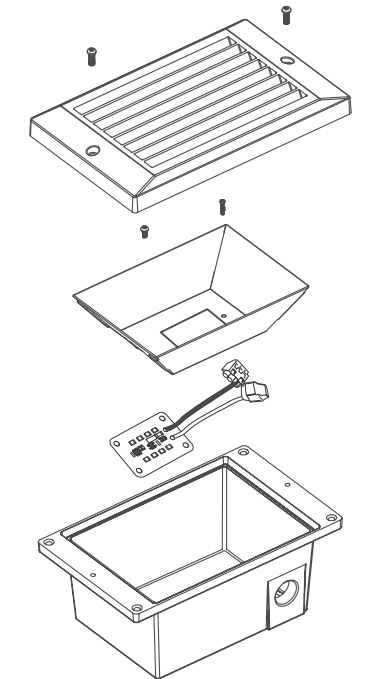
LST-II-KIT

- Concrete cap for concrete pour installations.
- NOTE: For outdoor installations, a 1/2" liquid tight strain relief is recommended.

CONCRETE CAP

SL-CC

DIAGRAM



Concrete Cap (for concrete pour installations)

- Product Code: **SL-CC**
- IMPORTANT: It is recommended that you use Magic Lite / NSL's Concrete Cap for concrete pour installations. These caps assist in providing a proper reveal for flush mount of fixture cover after concrete is dry..

Switch Star

LED Switch Star is ideal for both indoor and outdoor settings, offering an excellent solution for security or exit lighting. This fixture connects directly to 120V without the need for remote drivers, simplifying installation.



FEATURES

- 1.4W power consumption
- Mounts on 2" x 4" boxes
- Outdoor/indoor ready
- Louvre/scoop/prism covers
- Horizontal/vertical mounting
- 3 color choices
- Dimmable functionality
- 40,000-hour LED lifespan
- cETLus safety certified
- 3 years warranty

APPLICATIONS

- Hallways, stairways
- Night light
- Decks, patios
- Garages, elevators
- Commercial/residential exteriors

SPECIFICATIONS

Product Code	LED-SW-X-Y	
Electrical	Input Voltage	120V AC, .012A
	Power Consumption	1.4W
Specs	Colour Temperature	2700K or Amber
	CRI	80+
	Lumen Output	468LM
	Efficacy (LM/W)	57
	Dimmable	No
	Beam Angle	120°
LED	Type	AC LED
	Life Span	40,000 Hours to 70% Lumen output
Design	Dimensions (Inches)	5.07 x 3.03"
	Dimensions (Millimeters)	129 x 77mm
	Finish	White, Light Almond, Brown Wood Grain
	Material	Polycarbonate (5VA flame rated, F1 UV rated) & Glass
	Operating Temperature	-30°C to 60°C
	Approved Location	Indoor/Outdoor
	Mounting	Via screws
Warranty	3 years	
Approvals	cETLus listed	

PRODUCT CODES

LED-SW-X-Y

LED	COVER	COLOUR
Switch	P - Prism	WH - White
Star	S - Scoop	LA - Light Almond
	L - Louvre	BWG - Brown Wood Grain

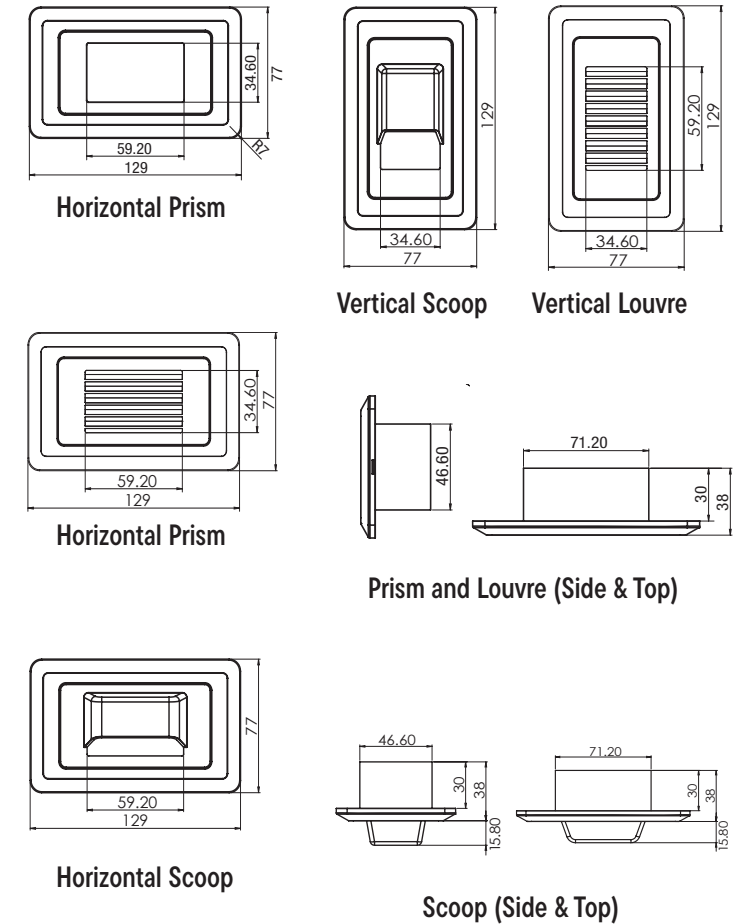
- Note: Add (-AM) on the part number for Amber LED fixture
- Scoop and Louvre covers are supplied in both horizontal and vertical.

LED-SW-X-Y-COV

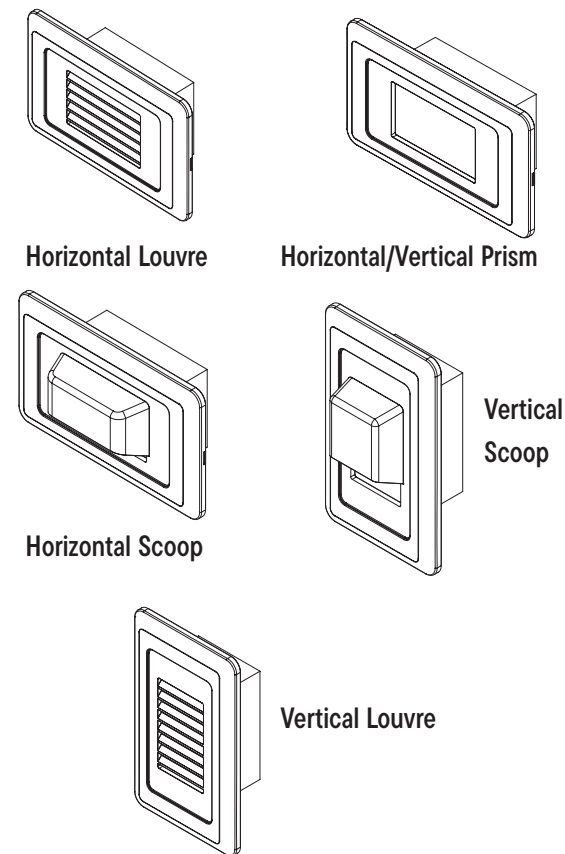
LED	COVER	COLOUR	REPLACEMENT COVER
Switch	P - Prism	WH - White	
Star	S - Scoop	LA - Light Almond	
	L - Louvre	BWG - Brown Wood Grain	



COVER DIMENSIONS



COVER STYLES



Disc Light

Versatile and robust, the LED Disc Light offers powerful illumination for both public and residential areas, whether indoors or outdoors. Durable and certified for wet conditions, it's great for enhancing decks, driveways, and patios with simple concrete pour setup.



FEATURES

- Fully dimmable with dimmable power supply (sold separately)
- 50,000-Hour LED life
- Low power consumption: 3 watts per fixture
- Safe 12 volt, Class 2 power supply (not included)
- Up to 30 fixtures per power supply
- Lens: Frosted or clear tempered glass
- cETLus listed
- Fits 1.5" diameter hole
- No UV, no infrared, no radiated heat
- 3 years warranty

APPLICATIONS

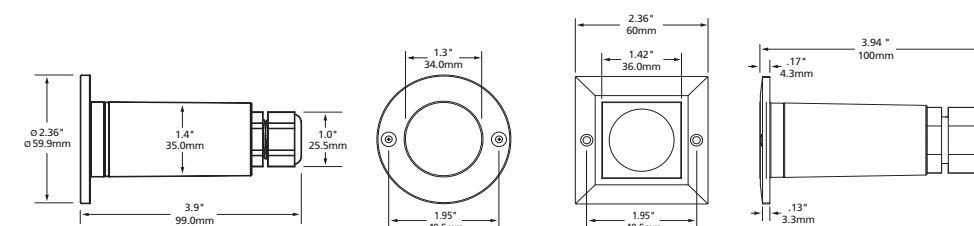
- Steps
- Aisles
- Paths
- Driveways
- Direction lighting
- Information lighting
- Decorative lighting
- Merchandising
- Landscape accents

SPECIFICATIONS

Product Code	LEDD-Y-XX (ROUND)	LEDD-Y-XX-SQ (SQUARE)
Electrical	Input Voltage	12V AC
	Power Consumption	3W
Specs	Colour Temperature	Cool White 98 lumens @ 5400K; Warm White 95 lumens @ 2900K
	CRI	80+
	Lumen Output	900LM Max.
	Efficacy (LM/W)	83
	Dimmable	Yes
	Beam Angle	120
LED	Type	5050
	Life Span	50,000 Hours
Design	Dimensions (Inches)	2.36 x 3.9"
	Dimensions (Millimeters)	60 x 99mm
	Cover Finish	Stainless steel
	Barrel Finish	Stainless steel
	Max Single Run Length	18 fixtures
	Approved Location	Outdoor
	Mounting	Recessed
Warranty	3 years	
Approvals	cETLus listed and labeled for wet, IC, ceiling, wall and direct burial applications	

NOTE: When installing Mini Disc Lights in harsh environments (such as limestone, salted areas, coastal environments, etc.) please use the stainless steel version to avoid the risk of corrosion to the body of the fixture.

DIAGRAM



PRODUCT CODES

ROUND

LEDD-Y-XX

LED Disc Light	TEMPERED GLASS	COLOUR OF LED
F - Frosted	WH - 5500K	WW - 2700K
C - Clear	AM - Amber	

SQUARE

LEDD-Y-XX-SQ

LED Disc Light	TEMPERED GLASS	COLOUR OF LED
F - Frosted	WH - 5500K	WW - 2700K
C - Clear	AM - Amber	

REPLACEMENT LED MODULES

- LEDD-MOD-WH**
LED Disc Light module, 12V, white LED 5500K
- LEDD-MOD-WW**
LED Disc Light module, 12V, warm white LED 2700K

INSTALLATION WIRES

- LW-18G-BUR**
For outdoor burial connections
- LW-18G-CL2**
For indoor through wall connections

NOTE: One of the above wires **MUST** be used in order to maintain product warranty.

ACCESSORIES



LEDD-CF

LED Disc Light concrete form for concrete pour applications. Fits over most 3/4" conduit junction boxes.

LEDD-CF-SQ

LED Disc Light Square concrete form for concrete pour applications. Fits over most 3/4" conduit junction boxes.

DIMMABLE DRIVERS

TRE12L20DC

20 Watts
Max. recommended load 18 W or 6 LED Disc Lights
Min. recommended load 8 W or 3 LED Disc Lights
6.77" x 2.67" x 1.26" (171 x 68 x 32mm)

TRE12L60DC

60 Watts
Max. recommended load 54 W or 18 LED Disc Lights
Min. recommended load 8 W or 3 LED Disc Lights
6.77" x 2.67" x 1.26" (171 x 68 x 32mm)

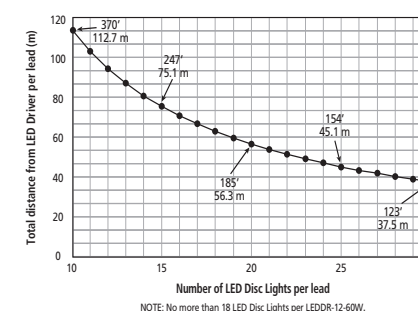
NON DIMMABLE DRIVERS

LEDDR-12-60W (Indoor/Outdoor)

60W hardwire
Input: 100 - 240V AC; Output: 12V DC
Max. 18 LED Disc Lights
9 11/16" x 2 9/16" x 2 1/16" (246 x 65 x 52mm)

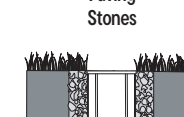
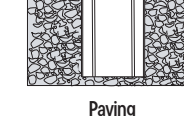
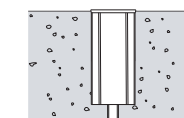
100% LED Light Output Chart

With every foot of lead wire and every light fixture, there is voltage loss. With too much voltage loss all light fixtures will not develop 100% of their potential output. Below is a chart of acceptable voltage loss which will maintain 100% of the potential light output of the LED Disc Light. Simply plot the number of LED Disc Light you wish to place on one lead on the horizontal axis, with the total distance from the LED Driver to the last LED Disc Light on the vertical axis. If the resulting plot is at or below the line shown, you will have acceptable voltage loss and your LED Disc Light will output 100% of their potential.

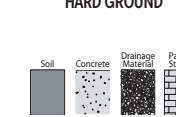
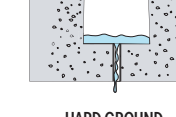
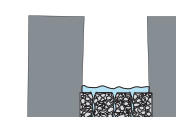


WARNING: LACK OF DRAINAGE WILL VOID THE WARRANTY

To maintain the warranty, a proper drainage system **MUST** be installed (drainage material or drainage pipe), when the product is installed in soil or concrete.



Test drainage prior to installation.
A quantity of water equal to the volume of the mounting hole should drain in 15 minutes or less.



Mini Disc Marker Light

Robust and energy-efficient, the LED Mini Disc Light, with its durable construction and low 0.24W consumption, suits a multitude of indoor/outdoor applications. It offers long-lasting illumination in both round and square designs, ensuring compatibility with any décor at an affordable cost.



FEATURES

- Dimmable on the primary power supply side with drivers
- 50,000 hour durability
- Ultra-low consumption: 0.24 watts per fixture
- 12V class 2 safety
- Up to 100 fixtures per supply
- cETLus certified
- Fits 1" diameter, 3.5" depth
- Lens: Frosted Tempered Glass
- 2 years limited warranty, 3 years on stainless steel

APPLICATIONS

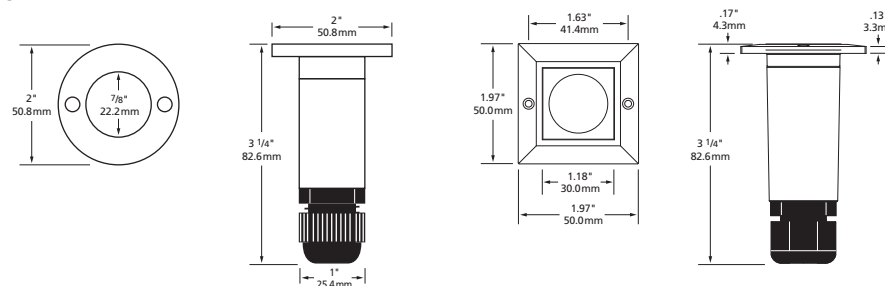
- Steps
- Aisles
- Paths
- Driveways
- Direction lighting
- Information lighting
- Decorative lighting
- Merchandising
- Landscape accents

SPECIFICATIONS

Product Code	LEDMD-XX-YY (ROUND)	LEDMD-XX-YY-SQ (SQUARE)
Electrical	Input Voltage	12V DC
	Power Consumption	0.24W
Specs	Colour Temperature	Cool White 5400K, Warm White 2900K, Blue, Green, Amber, Red
	CRI	80+
	Lumen Output	17
	Efficacy (LM/W)	70
	Dimmable	Yes
	Beam Angle	120
LED	Life Span	50,000 Hours
Design	Dimensions (Inches)	3 1/4 x 2"
	Dimensions (Millimeters)	82.6 x 50.8mm
	Cover Finish	Aluminum, White, Bronze, Black, Stainless Steel
	Barrel Finish	Aluminum, White, Bronze, Black, Stainless Steel
	Material	Both cover and barrel are die cast aluminum
	Lens	Frosted tempered glass
	Approved Location	Outdoor
	Mounting	Recessed
Warranty	3 years	
Approvals	cETLus listed and labeled for wet, IC, ceiling, wall and direct burial applications	

- **NOTE:** When installing Mini Disc Lights in harsh environments (such as limestone, salted areas, coastal environments, etc.) please use the stainless steel version to avoid the risk of corrosion to the body of the fixture.
- Each LED Driver can power up to 200 LED MiniDisc Lights by parallel wiring ("daisy chain") between fixtures.
- **NOTE:** Use LW-18G-CL2 for all in-wall applications, LW-18G-BUR for all burial applications.

DIAGRAM



PRODUCT CODES

- ROUND**
LEDMD-XX-YY
- | LED Light | COLOUR OF LED | FINISH |
|-----------|---------------|----------------------|
| MiniDisc | CW - 5400K | AL - Aluminum |
| Light | WW - 2900K | WH - White |
| | AM - Amber | BZ - Bronze |
| | BL - Blue | BK - Black |
| | GR - Green | SS - Stainless Steel |
| | RD - Red | |

- SQUARE**
LEDMD-XX-YY-SQ
- | LED Light | COLOUR OF LED | FINISH |
|-----------|---------------|----------------------|
| MiniDisc | CW - 5400K | AL - Aluminum |
| Light | WW - 2900K | WH - White |
| | AM - Amber | BZ - Bronze |
| | BL - Blue | BK - Black |
| | GR - Green | SS - Stainless Steel |
| | RD - Red | |

REPLACEMENT LED MODULES

- **LCL-LEDMOD-WH**
LED Mini Disc Light module, 12V, white LED 5400K
- **LCL-LEDMOD-WW**
LED Mini Disc Light module, 12V, warm white LED 2900K

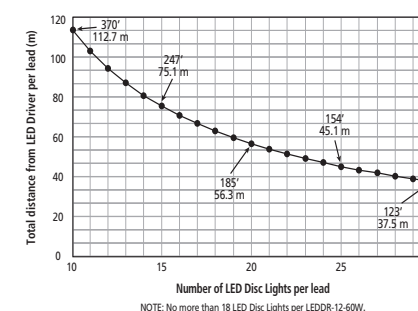
INSTALLATION WIRES

- **LW-18G-BUR**
For outdoor burial connections
- **LW-18G-CL2**
For indoor through wall connections

NOTE: One of the above wires **MUST** be used in order to maintain product warranty.

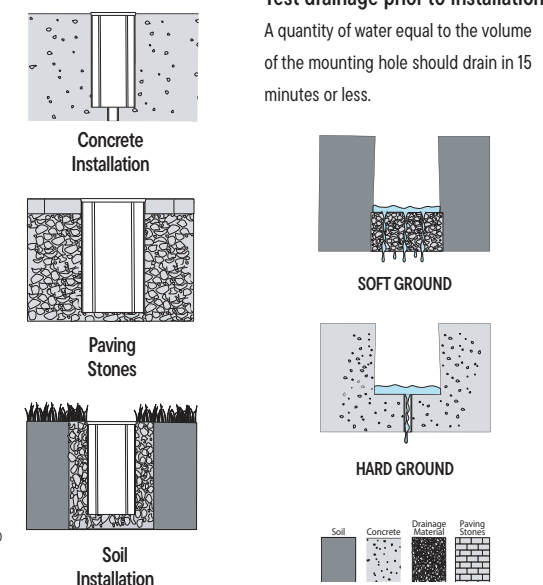
100% LED Light Output Chart

With every foot of lead wire and every light fixture, there is voltage loss. With too much voltage loss all light fixtures will not develop 100% of their potential output. Below is a chart of acceptable voltage loss which will maintain 100% of the potential light output of the LED Disc Light. Simply plot the number of LED Disc Light you wish to place on one lead on the horizontal axis, with the total distance from the LED Driver to the last LED Disc Light on the vertical axis. If the resulting plot is at or below the line shown, you will have acceptable voltage loss and your LED Disc Light will output 100% of their potential.



WARNING: LACK OF DRAINAGE WILL VOID THE WARRANTY

To maintain the warranty, a proper drainage system **MUST** be installed (drainage material or drainage pipe), when the product is installed in soil or concrete.



ACCESSORIES



LEDMD-CF
LED Mini Disc Light concrete form for concrete pour applications. Fits over most 1/2" (12.7mm) conduit junction boxes.

LEDMD-CF-SQ
LED MiniDisc Light Square concrete form for concrete pour applications. Fits over most 1/2" (12.7mm) conduit junction boxes.

DIMMABLE DRIVERS

TRE12L20DC
20 Watts
Max. recommended load 18 W or 75 Mini Disc Lights
Min. recommended load 8 W or 34 Mini Disc Lights
6.77" x 2.67" x 1.26" (171 x 68 x 2mm)

TRE12L60DC
60 Watts
Max. recommended load 54 W or 200 Mini Disc Lights
Min. recommended load 8 W or 34 Mini Disc Lights
6.77" x 2.67" x 1.26" (171 x 68 x 32mm)

NON DIMMABLE DRIVERS

LEDDR-12-60W (Indoor/Outdoor)
60W hardwire
Input: 100 - 240V AC
Output: 12V DC
Max. 200 Mini Disc Lights
9 11/16" x 2 9/16" x 2 1/16" (246 x 65 x 52mm)

Mini Disc Light (Scoop)

The LED Mini Disc Scoop directs light precisely, ideal for stair and theater aisle lighting. It's durable and efficient, offering a 50,000-hour lifespan and low 0.24W consumption, fitting easily into 1" holes. Certified for diverse environments, it ensures safety and versatility with a solid warranty.



FEATURES

- Dimmable on the primary power supply side with drivers
- 50,000 hour durability
- Ultra-low consumption: 0.24 watts per fixture
- 12V class 2 safety
- Up to 100 fixtures per supply
- cETLus certified
- Fits 1" diameter, 3.5" depth
- Lens: Frosted Tempered Glass
- 2 years limited warranty, 3 years on stainless steel

APPLICATIONS

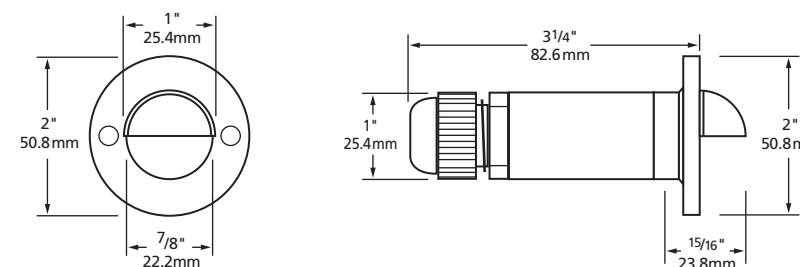
- Steps
- Aisles
- Paths
- Driveways
- Direction lighting
- Information lighting
- Decorative lighting
- Merchandising
- Landscape accents

SPECIFICATIONS

SPECIFICATIONS		LEDMD-S-XX-YY
Product Code	LEDMD-S-XX-YY	
Electrical	Input Voltage	12V DC
	Power Consumption	0.24W
Specs	Colour Temperature	Cool White 5400K, Warm White 2900K, Blue, Green, Amber, Red
	CRI	80+
	Lumen Output	17
	Efficacy (LM/W)	70
	Dimmable	Yes
	Beam Angle	No up-light when mounted with scoop on upper half
LED	Life Span	50,000 Hours
	Dimensions (Inches)	2 x 3 1/4"
Design	Dimensions (Millimeters)	50.8 x 82.6mm
	Cover Finish	Aluminum, White, Bronze, Black
	Barrel Finish	Aluminum, White, Bronze, Black
	Lens	Frosted tempered glass
	Max Single Run Length	200 fixtures
	Approved Location	Outdoor
	Mounting	Recessed
	Warranty	2 years
Approvals	cETLus listed and labeled for wet, IC, ceiling, wall and direct burial applications	

- **NOTE:** When installing Mini Disc Scoop in harsh environments (such as limestone, salted areas, coastal environments, etc.) please use the stainless steel version to avoid the risk of corrosion to the body of the fixture.
- Each LED Driver can power up to 200 Mini Disc Lights by parallel wiring ("daisy chain") between fixtures.
- **NOTE:** Use LW-18G-CL2 for all in-wall applications, LW-18G-BUR for all burial applications.

DIAGRAM



PRODUCT CODES

LEDMD-S-XX-YY

LED	COLOUR OF LED	FINISH
Mini Disc Light (Scoop)	CW - 5400K WW - 2900K AM - Amber BL - Blue GR - Green RD - Red	AL - Aluminum WH - White BZ - Bronze BK - Black

REPLACEMENT LED MODULES

- **LCL-LEDMOD-WH**
LED Mini Disc Light module, 12V, white LED 5400K
- **LCL-LEDMOD-WW**
LED Mini Disc Light module, 12V, warm white LED 2900K

INSTALLATION WIRES

- **LW-18G-BUR**
For outdoor burial connections
- **LW-18G-CL2**
For indoor through wall connections

NOTE: One of the above wires **MUST** be used in order to maintain product warranty.

ACCESSORIES



LEDMD-CF

Concrete form for concrete pour applications. Fits over most 1/2" (12.7mm) conduit junction boxes.

DIMMABLE DRIVERS

TRE12L20DC

20 Watts
Max. recommended load 18 W or 75 Mini Disc Lights
Min. recommended load 8 W or 34 Mini Disc Lights
6.77" x 2.67" x 1.26" (171 x 68 x 2mm)

TRE12L60DC

60 Watts
Max. recommended load 54 W or 200 Mini Disc Lights
Min. recommended load 8 W or 34 Mini Disc Lights
6.77" x 2.67" x 1.26" (171 x 68 x 32mm)

NOTE: For outdoor installations, please add E-KO-SR strain relief.

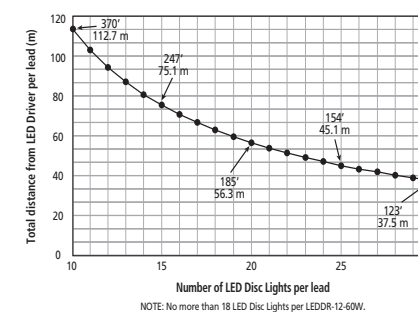
NON DIMMABLE DRIVERS

LEDDR-12-60W (Indoor/Outdoor)

60W hardwire
Input: 100 - 240V AC
Output: 12V DC
Max. 200 Mini Disc Lights
9 11/16" x 2 9/16" x 2 1/16" (246 x 65 x 52mm)

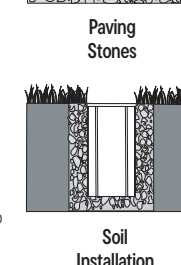
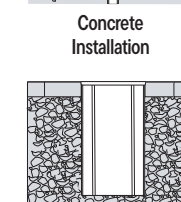
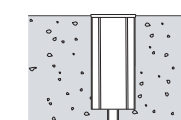
100% LED Light Output Chart

With every foot of lead wire and every light fixture, there is voltage loss. With too much voltage loss all light fixtures will not develop 100% of their potential output. Below is a chart of acceptable voltage loss which will maintain 100% of the potential light output of the LED Disc Light. Simply plot the number of LED Disc Light you wish to place on one lead on the horizontal axis, with the total distance from the LED Driver to the last LED Disc Light on the vertical axis. If the resulting plot is at or below the line shown, you will have acceptable voltage loss and your LED Disc Light will output 100% of their potential.



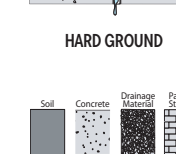
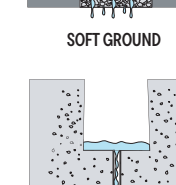
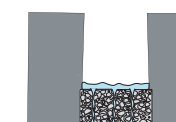
WARNING: LACK OF DRAINAGE WILL VOID THE WARRANTY

To maintain the warranty, a proper drainage system **MUST** be installed (drainage material or drainage pipe), when the product is installed in soil or concrete.



Test drainage prior to installation.

A quantity of water equal to the volume of the mounting hole should drain in 15 minutes or less.



Disc Light Dome

Stainless Steel Construction

Durable LED marker light with dimming capability, perfect for indoor and outdoor use. Stainless steel construction ensures longevity in any setting.



FEATURES

- Dimmable with dimmable power supplies
- Long life – 50,000 hours
- Low power consumption 3 watts per fixture
- Safe 12 volt, Class 2 power supply (not included)
- Up to 30 fixtures per power supply
- cETLus listed
- Fits in any 1.5" diameter hole, 4" long
- Lens: Clear tempered glass
- Available concrete form for concrete pour applications
- 3 years limited warranty

APPLICATIONS

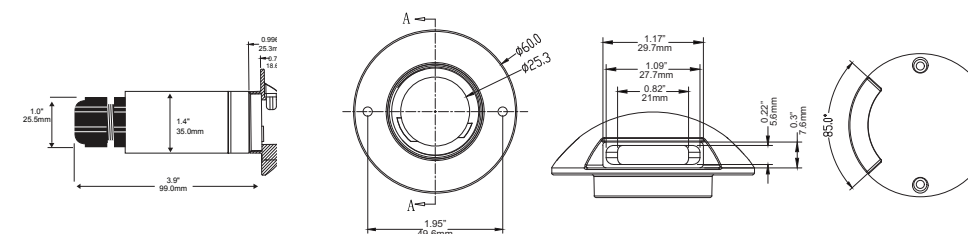
- Steps
- Aisles
- Paths
- Driveways
- Direction lighting
- Decorative lighting

SPECIFICATIONS

Product Code		LEDD-C-XX-D
Electrical	Input Voltage	12V DC
	Power Consumption	3W
Specs	Colour Temperature	Cool White 98 lumens @ 5500K; Warm White 95 lumens @ 2700K
	CRI	80+
	Lumen Output	5500K: 98; 2700K: 95
	Efficacy (LM/W)	33
	Dimmable	Yes
LED	Type	5050
	Life Span	50,000 Hours
Design	Dimensions (Inches)	3.9 x 1.95"
	Dimensions (Millimeters)	99 x 49.6mm
	Cover Finish	Stainless Steel (SUS316)
	Barrel Finish	Stainless Steel (SUS316)
	Max Single Run Length	18 fixtures
	Approved Location	Outdoor
	Mounting	Burial, wall
Warranty	3 years	
Approvals	cETLus listed and labeled for wet, IC, ceiling, wall and direct burial applications	

- **Wiring Options:** Fixtures can be parallel wired or "Daisy chained" together with up to 18 fixtures on our largest dimmable driver.
- **NOTE:** Use LW-18G-CL2 for all in-wall applications. Use LW-18G-BUR for all burial applications.

DIAGRAM



PRODUCT CODES

LEDD-C-XX-D

LED Disc Light (Dome)
 COLOUR OF LED
 WH - 5500K
 WW - 2700K

REPLACEMENT LED MODULES

- **LEDD-MOD-WH**
LED Disc Light module, 12V, white LED 5500K
- **LEDD-MOD-WW**
LED Disc Light module, 12V, warm white LED 2700K

INSTALLATION WIRES

- **LW-18G-BUR**
For outdoor burial connections
- **LW-18G-CL2**
For indoor through wall connections

NOTE: One of the above wires **MUST** be used in order to maintain product warranty.

ACCESSORIES



LEDD-CF

Recommended for easy installation in concrete pour applications.

DIMMABLE DRIVERS

TRE12L20DC

20 Watts
 Max. recommended load 18 W or 6 LED Disc Lights
 Min. recommended load 8 W or 3 LED Disc Lights
 6.77" x 2.67" x 1.26" (171 x 68 x 32mm)

TRE12L60DC

60 Watts
 Max. recommended load 54 W or 18 LED Disc Lights
 Min. recommended load 8 W or 3 LED Disc Lights
 6.77" x 2.67" x 1.26" (171 x 68 x 32mm)

NOTE: For outdoor installations, please add E-KO-SR strain relief.

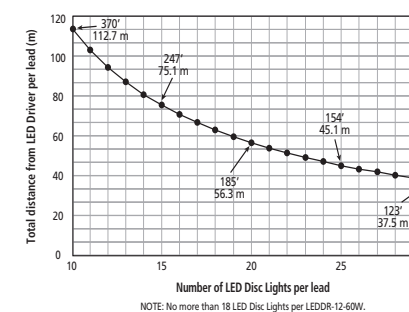
NON DIMMABLE DRIVERS

LEDDR-12-60W (Indoor/Outdoor)

60W hardwire
 Input: 100 - 240V AC; Output: 12V DC
 Max. 18 LED Disc Lights
 9 11/16" x 2 9/16" x 2 1/16" (246 x 65 x 52mm)

100% LED Light Output Chart

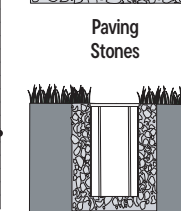
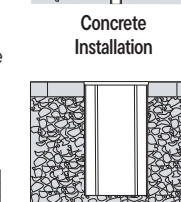
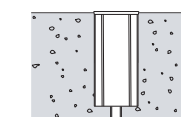
With every foot of lead wire and every light fixture, there is voltage loss. With too much voltage loss all light fixtures will not develop 100% of their potential output. Below is a chart of acceptable voltage loss which will maintain 100% of the potential light output of the LED Disc Light. Simply plot the number of LED Disc Light you wish to place on one lead on the horizontal axis, with the total distance from the LED Driver to the last LED Disc Light on the vertical axis. If the resulting plot is at or below the line shown, you will have acceptable voltage loss and your LED Disc Light will output 100% of their potential.



NOTE: No more than 18 LED Disc Lights per LEDDR-12-60W.

WARNING: LACK OF DRAINAGE WILL VOID THE WARRANTY

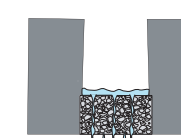
To maintain the warranty, a proper drainage system **MUST** be installed (drainage material or drainage pipe), when the product is installed in soil or concrete.



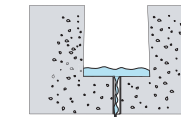
Soil Installation

Test drainage prior to installation.

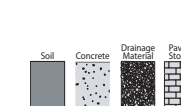
A quantity of water equal to the volume of the mounting hole should drain in 15 minutes or less.



SOFT GROUND



HARD GROUND



Well Light

Illuminate columns, fences, and trees discreetly with this well light. Designed for flush installation, it features a robust die-cast aluminum housing and a powerful integrated 6-watt LED. Waterproof and backed by a 15-year warranty.



FEATURES

- Low-profile design for discreet lighting
- Robust die-cast aluminum construction
- Silicon filled wirenuts
- IP67 rated
- Wet location listed
- Powerful 6-watt integrated LED
- Weatherproof for outdoor durability
- Bright 580-lumen output
- Stylish black finish for modern appeal
- Effortless installation with included sleeve
- Backed by 15 years warranty

APPLICATIONS

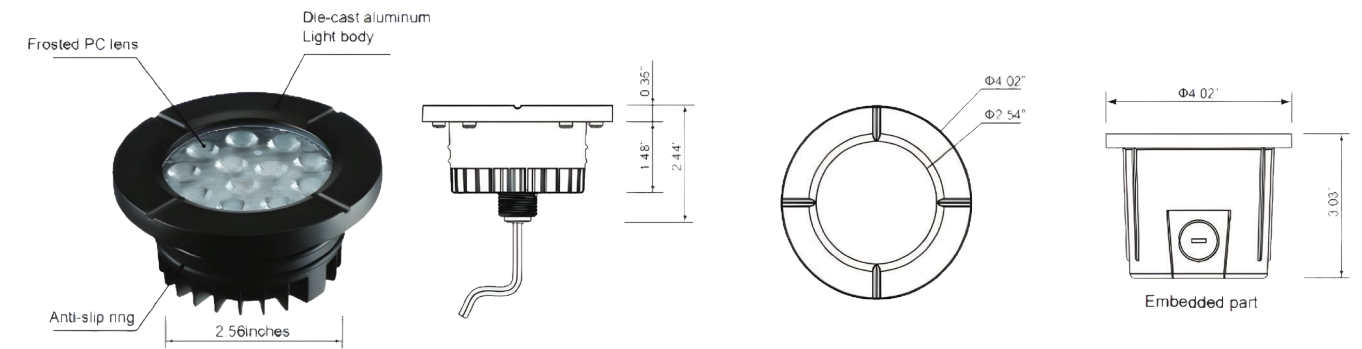
- Column and pillar illumination
- Pathway and boundary lighting
- Tree canopy highlighting
- Garden and seating area visibility
- Water feature enhancement
- Step and stair safety lighting



SPECIFICATIONS

Product Code	IG-01-12V-36D-BLK		IG-01-12V-60D-BLK	
Electrical	Input Voltage	12/24V AC/DC		
	Power Consumption	6W		
Specs	Colour Temperature	3000K		
	CRI	90+		
	Lumen Output	580LM		
	Efficacy (LM/W)	97		
	Dimmable	No		
	IP Rating	IP67		
	Beam Angle	36°	60°	
	LED	Type	SMD2835	
Life Span		50,000 Hours		
Design	Dimensions (Inches)	3.03 x 4.02"		
	Dimensions (Millimeters)	76.9 x 102 mm		
	Finish	Black		
	Material	Die-cast Aluminum		
	Cable	Copper		
	Operating Temperature	-20 to 40°C		
	Approved Location	Outdoor		
	Mounting	In-ground		
Warranty	15 years			
Approvals	cETLus			

DIAGRAM



ACCESSORIES



ACC-12G-2C-BUR

Landscape burial wire, 12G, 2C - 500ft spool

ACC-12G-2C-BUR-XX

Landscape burial wire, 12G, 2C - custom cuts

NOTE: A transformer is required. See page 106 to 109.

12V AC, 100W Transformer

A small transformer for smaller installations. Comes with built in photocell and mechanical timer.



FEATURES

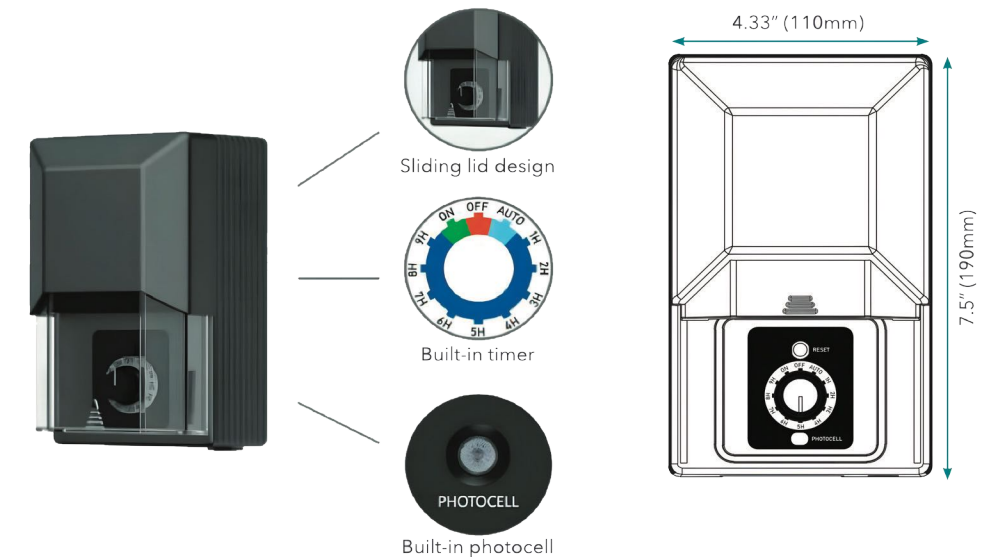
- Composite body
- Built-in mechanical timer
- Built-in photocell
- 12V/100W output, 120V input
- Transparent sliding lid design
- Overload protection
- IP65 weatherproof
- 72”SJT(W) cable, heavy gauge, grounded and water resistant power cord with molded plug
- 50,000 hour life
- 2 comm terminals
- 12V, 15V terminals
- 15 years warranty
- 7.5” by 4.4” by 4.5”

SPECIFICATIONS

Product Code		ACC-TR-100W
Electrical	Input Voltage	120V
	Output Voltage	12V AC
	Power	100W
	Max Output Current	8.5A
Specs	Colour Temperature	Cool White 98 lumens @ 5500K; Warm White 95 lumens @ 2700K
	Life Span	50,000 Hours
Design	Dimensions (Inches)	7.5 x 4.33”
	Dimensions (Millimeters)	190 x 110mm
	Finish	Black
	Material	Composite
	Operating Temperature	-20 to 40°C
	Mounting	On Wall
	IP Rating	IP65
Warranty		15 years
Approvals		cETLus



DIAGRAM



ACCESSORIES



ACC-12G-2C-BUR

Landscape burial wire, 12G, 2C - 500ft pool

ACC-12G-2C-BUR-XX

Landscape burial wire, 12G, 2C - custom cuts

12-15V AC, 300W Transformer

A 300W transformer, in a stainless-steel case. Enough power to run most landscape light systems. For bigger properties, run 2 units.



FEATURES

- Stainless steel case
- 300W output, 110V input
- 1 common terminal, with 12V, 13V, 14V, 15V terminals
- 6.1" by 5.3" by 11.6" dimensions
- Quick mount bracket
- Sealed removable lockable hinged door
- Pre-scored knockout sides and bottom panel
- Tool-less removable bottom panel
- Fully encapsulated Toroid Core
- 304L stainless steel enclosure
- 15 years warranty



SPECIFICATIONS

SPECIFICATIONS		
Product Code	ACC-TR-300W	
Electrical	Input Voltage	120V
	Output Voltage	12V, 13V, 14V, 15V AC
	Power	300W
	Max Output Current	8.5A
	Primary Protection	25 AMP breaker
Specs	Colour Temperature	Cool White 98 lumens @ 5500K; Warm White 95 lumens @ 2700K
	Life Span	50,000 Hours
Design	Dimensions (Inches)	11.6 x 6.1"
	Dimensions (Millimeters)	295 x 155mm
	Finish	Black
	Material	Composite
	Operating Temperature	-20 to 40°C
	Mounting	On Wall
	IP Rating	IP65
Warranty	15 years	
Approvals	cETLus	

DIAGRAM



ACCESSORIES



ACC-DT
Digital Timer



ACC-PC
Photocell



ACC-WIFI
WI-FI Controller



ACC-12G-2C-BUR
Landscape burial wire, 12G, 2C - 500ft spool

ACC-12G-2C-BUR-XX
Landscape burial wire, 12G, 2C - custom cuts