

# 2 Wire CCT Controller (2.4GHz)

This controller utilizes advanced 2.4GHz wireless technology, offering low power consumption, long transmission range, and strong anti-interference capabilities. It supports color temperature adjustment and dimming, with a 30m remote control range. It features auto-transmitting, supports smartphone app control, and is compatible with third-party voice control when connected via a 2.4GHz gateway. Ideal for hotel and home lighting systems.



### FEATURES

- Color temperature adjustable.
- Dim brightness.
- 2.4G RF wireless transmission technology.
- Auto-transmitting.
- Remote control distance 30m.
- Supports Smartphone app control.

### COMPATIBLE FIXTURES

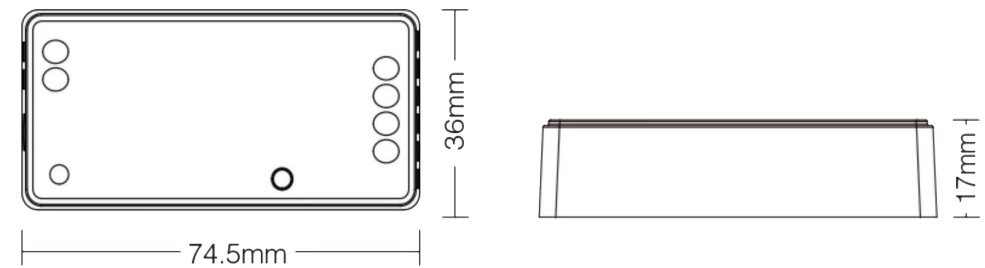
Please refer to the 'LED Controllers List' section on page 161

SPECIFICATIONS		
<b>Product Code</b>		CNTRL-2W-CCT
<b>Electrical</b>	Input Voltage	DC 12 to 48V
	Output	10A/Channel
	Total Output	Max 10A
<b>Specs</b>	Communication Protocol	2.4GHz
	Control Distance	30m
	Working Temperature	-10 to 40°C
<b>Dimensions</b>	2.93 x 1.42 x 0.67 inches	
	74.5 x 36 x 17mm	
<b>Approvals</b>	RoHS	

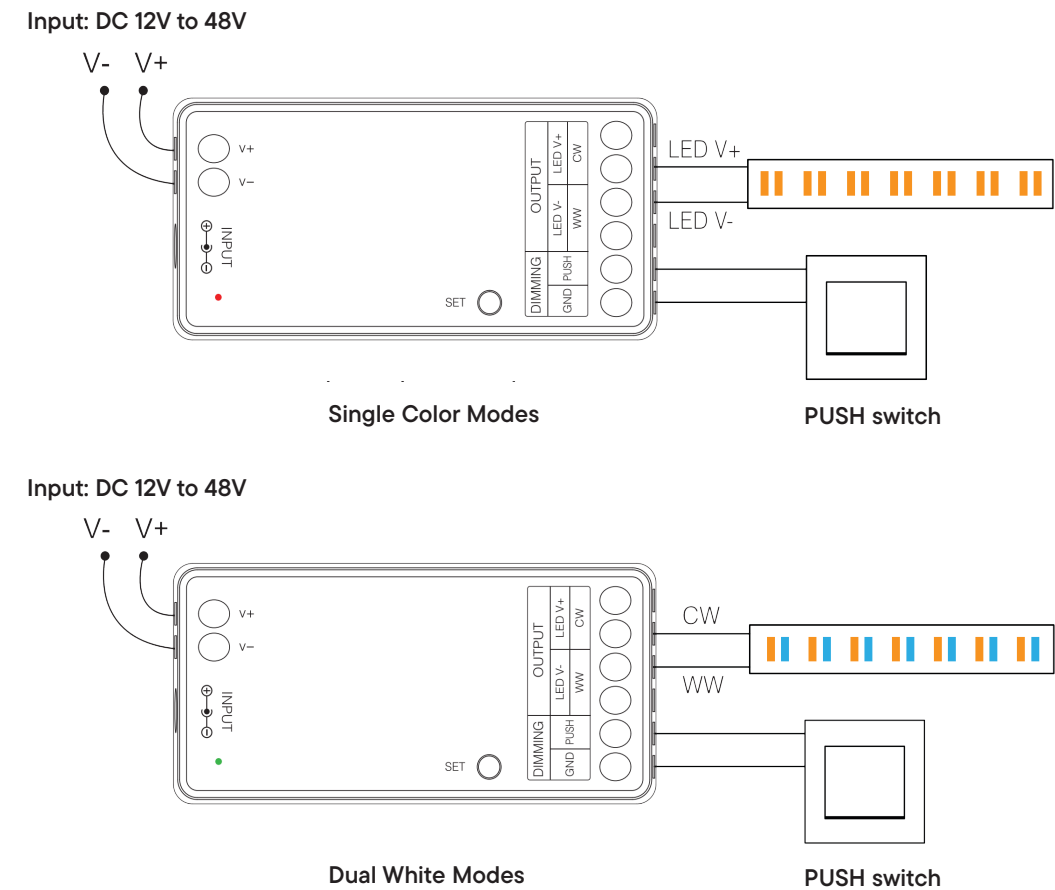
### PRODUCT CODES

CNTRL-2W-CCT

### DIAGRAM



### 'CONNECT TO LED STRIP' DIAGRAM



**NOTE:** Controller input voltage must be in accordance with the required voltage of LED Strips.