

5CCT Ultra-Thin LED Recessed Ceiling Light

With an ultra-thin 9mm profile, double-sided frosted diffuser, and advanced ADC12 aluminum cooling frame, this dimmable LED light offers even illumination, energy efficiency (PF > 0.9), and IP40 protection for wet locations.



FEATURES

- Ultra-thin 0.35-inch profile.
- 5CCT options: 2700K-5000K.
- High CRI > 90.
- Even light distribution, frosted diffuser.
- Triac dimmable, 5%-100%.
- ADC12 aluminum cooling frame.
- High power factor (>0.9).
- IP40, damp location rated.
- Connector with strain relief design.
- Great spring elasticity, 6N-8N force.
- 50,000 hour life.
- 5 year limited warranty.
- Airtight.

APPLICATIONS

- Residential living rooms
- Kitchens
- Bathrooms (damp-rated areas)
- Commercial offices
- Retail displays
- Hospitality spaces
- Hallways and corridors

| SPECIFICATIONS | | | |
|----------------|--|---|--------------------------------|
| Sizes | 4" | 6" | |
| Product Code | SDL-5CCT-4-WH-1P (1 Pack) SDL-5CCT-4-WH-6P (6 Pack) SDL-5CCT-4-WH-12P (12 Pack) SDL-5CCT-4-WH-24P (24 Pack) | SDL-5CCT-6-WH-1P (1 Pack) SDL-5CCT-6-WH-6P (6 Pack) SDL-5CCT-6-WH-12P (12 Pack) | |
| Electrical | Input Voltage | 120V AC | |
| | Output Power (W) | 9W | 12W |
| Specs | Color Temperature | 5CCT: 2700/3000/3500/4000/5000K | |
| | CRI | 90+ | |
| | Lumens | >738Lm | >984Lm |
| | Dimmable | Yes, with TRIAC dimmers | |
| | PF | >0.9 | |
| | Beam Angle | 110° | |
| | IP Rating | IP40 | |
| LED | Type | 2385 | |
| | Life Span | 50,000 Hours | |
| Design | Dimensions (Inches) | D1=3.19", D2=4.92", H=0.75" | D1=4.98", D2=6.61", H=0.75" |
| | Dimensions (Millimeters) | D1=81mm, D2=125mm, H=19mm | D1=126.5mm, D2=168mm, H=19.1mm |
| | Finish | White finish | |
| | Trim Rings | Black | |
| | Approved Location | Wet | |
| | Mounting | Ceiling | |
| Warranty | 5 Years | | |
| Approvals | cETLus and Energy Star | | |

PACKAGING

4-Inch Model (Applies to 6-Inch as well; photos not to scale)



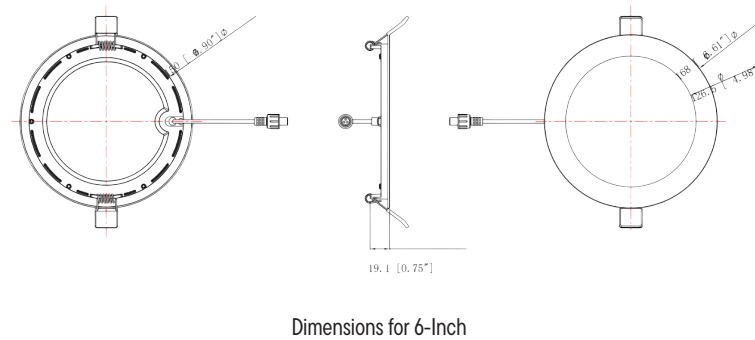
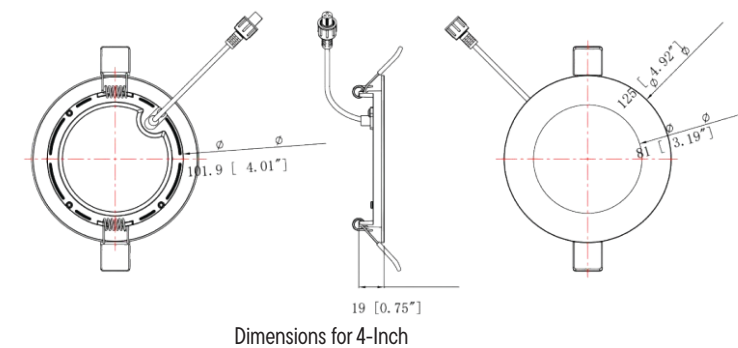
1 Pack: SDL-5CCT-4-WH-1P

6 Pack: SDL-5CCT-4-WH-6P

12 Pack: SDL-5CCT-4-WH-12P

24 Pack: SDL-5CCT-4-WH-24P

DIAGRAM

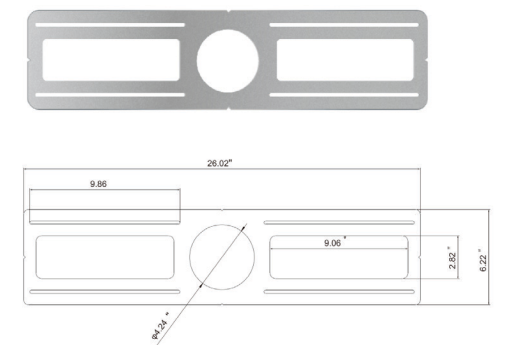


PRODUCT IMAGE

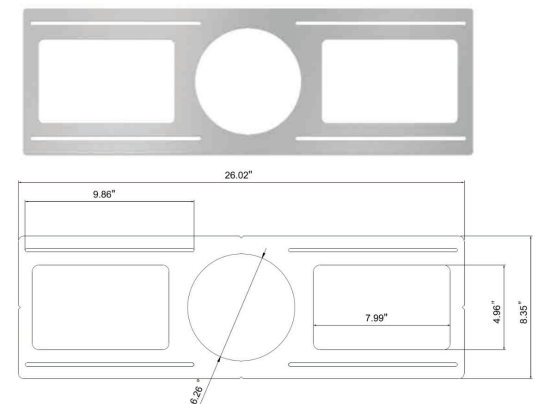


CONSTRUCTION PLATES

For 4-Inch: SDL-5CCT-4-CP



For 6-Inch: SDL-5CCT-6-CP



TRIM RINGS

For 4-Inch: SDL-5CCT-4-TR-BK

For 6-Inch: SDL-5CCT-6-TR-BK



NOTE: Trim Rings and Construction Plates are sold separately.