

5CCT Ultra-Thin LED Recessed Ceiling Light

With an ultra-thin 9mm profile, double-sided frosted diffuser, and advanced ADC12 aluminum cooling frame, this dimmable LED light offers even illumination, energy efficiency (PF > 0.9), and protection for wet locations.



FEATURES

- Ultra-thin 0.35-inch profile.
- 5CCT options: 2700K-5000K.
- High CRI > 90.
- Even light distribution, frosted diffuser.
- Triac dimmable, 5%-100%.
- ADC12 aluminum cooling frame.
- High power factor (>0.9).
- Connector with strain relief design.
- Great spring elasticity, 6N-8N force.
- 50,000 hour life.
- 5 year limited warranty.
- Airtight.

APPLICATIONS

- Residential living rooms
- Kitchens
- Bathrooms (damp-rated areas)
- Commercial offices
- Retail displays
- Hospitality spaces
- Hallways and corridors

SPECIFICATIONS				
Sizes		4"	6"	
Product Code	Input Voltage	120V AC		
	Output Power (W)	9W	12W	
	Color Temperature	5CCT: 2700/3000/3500/4000/5000K		
	CRI	90+		
Specs	Lumens	>850Lm	>1200Lm	
	Dimmable	Yes, with TRIAC dimmers		
	PF	>0.9		
	Beam Angle	110°		
	IP Rating	IP40		
	LED	Type	2385	
		Life Span	50,000 Hours	
Design	Dimensions (Inches)	D1=3.19", D2=4.92", H=0.75"	D1=4.98", D2=6.61", H=0.75"	
	Dimensions (Millimeters)	D1=81mm, D2=125mm, H=19mm	D1=126.5mm, D2=168mm, H=19.1mm	
	Finish	White finish		
	Trim Rings	Black		
	Approved Location	Wet		
	Mounting	Ceiling		
Warranty	5 Years			
Approvals	cETLus and Energy Star			

PACKAGING

4-Inch Model (Applies to 6-Inch as well; photos not to scale)



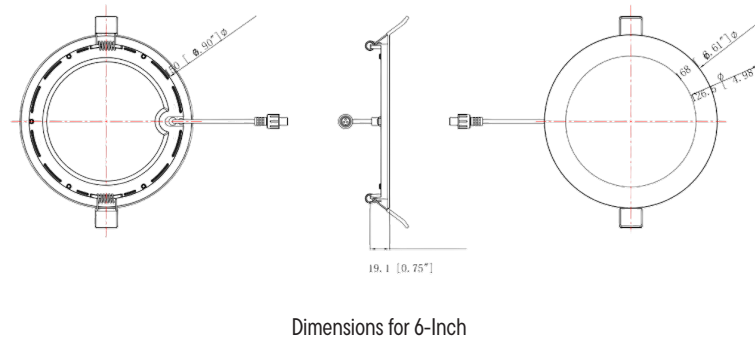
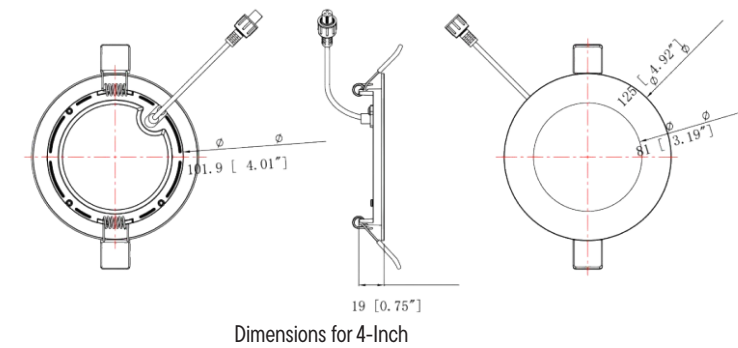
1 Pack: SDL-5CCT-4-WH-1P

6 Pack: SDL-5CCT-4-WH-6P

12 Pack: SDL-5CCT-4-WH-12P

24 Pack: SDL-5CCT-4-WH-24P

DIAGRAM

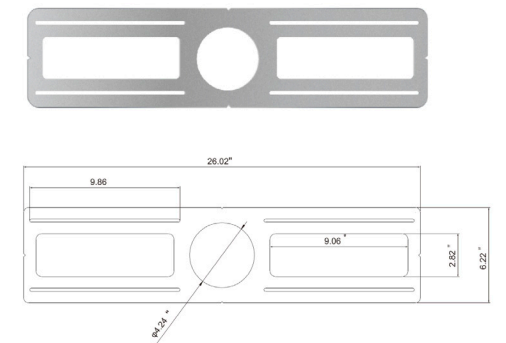


PRODUCT IMAGE

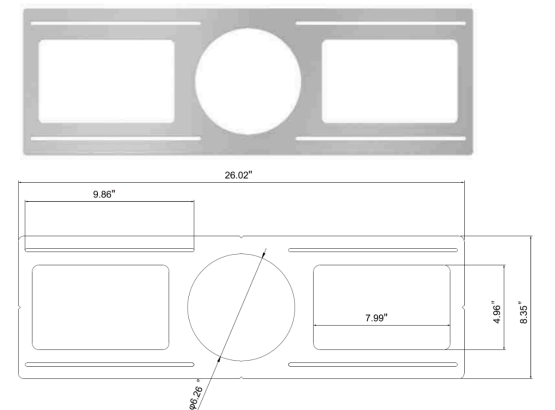


CONSTRUCTION PLATES

For 4-Inch: SDL-5CCT-4-CP



For 6-Inch: SDL-5CCT-6-CP



TRIM RINGS

For 4-Inch: SDL-5CCT-4-TR-BK

For 6-Inch: SDL-5CCT-6-TR-BK



NOTE: Trim Rings and Construction Plates are sold separately.