

**Product
Catalog**



Slim & Ultra-Efficient
[Indoor & Outdoor]

***NEW ARRIVAL:**
Streamline Tape Series
(Pages: 5 – 12)



Available in 6 sizes
[Includes the compact 10-inch]

***NEW ARRIVAL:**
5CCT LED Task Bar
(Page: 53)



2 Hour Fire Rating
[UL 263, ASTM E119 & CAN ULC S101]

***NEW ARRIVAL:**
5CCT Fire Rated Thin Line
(Page: 125)

Product Categories at a Glance

Linear Lighting	3
Streamline Tape (SL) Series	5
Standard Tape (ST) Series	13
Tape Selection Guide	19
Applications, Drivers & Controllers	21
Tape Replacement Chart	23
Extrusions	27
120V AC eStrip	29
eStrip	33
Neon Flex	39
String Lights	41
Wall Washer	45
Under Cabinet Lighting	49
Landscape Lighting	61
Flood and Spot Lights	63
Pathway Lights	71
Wall and Deck Lights	79
In Ground Lights	89
Transformers and Accessories	99
Down Lighting	103
Thin Lines	105
Regressed	111
Gimbal	113
Surface Mount / Decorative	115
T-Edge Lights	123
Fire Rated	125
Industrial Lighting	131
Drivers and Controllers	139
Transformers	165

Looking for something specific? Scroll to the last pages for the **Appendix (Page 167)**, where you'll find a complete breakdown of each category and item locations.

Why NSL?

At National Specialty Lighting (NSL), we've spent the past 38 years building a foundation of trust and innovation, dedicated to lighting spaces with cutting-edge technology. We're committed to supporting your success every step of the way..

Here's how we do it:

- **Your needs, our priority:** Over the years, we've expanded our catalog to meet your diverse lighting challenges. Whether you're tackling a large commercial project or a simple home renovation, we make it easy for you to find the right solution.
- **Unmatched value, no compromise:** We know how important it is to get the most from your investment. That's why we offer reliable products at competitive prices, providing top performance and long-lasting value.
- **Peace of mind, always:** Our products come with robust warranty support because we know long-term reliability matters. When we say we've got your back, we mean it.
- **Custom displays, real impact:** Our range of POP displays lets you showcase your lighting choices in a way that works for you and your customers, saving you time and effort.

Featured Logos/Symbols

Intertek's ETL Certified	Energy Star Certified	CCT
cULus Certified	Wet Location Listed	RGB
DLC Certified	Wattage Adjustable	Dimmable
120 Volts of AC Power		



Linear Lighting

Low Power Indoor (3000K)

This 3000K low-power indoor tape light is designed for high-efficiency lighting with a smooth, pixel-free and uniform output, making it ideal for refined indoor environments. Featuring dense 2219 LED chips on an 8mm wide PCB, it ensures consistent brightness and precise color accuracy.



FEATURES

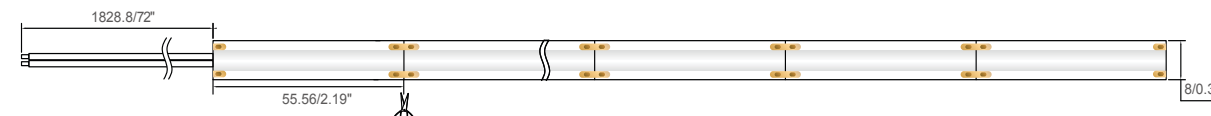
- Delivers a soft, pixel-free 3000K light with more uniform output than standard tapes.
- Consumes 4.8W per meter.
- Slim 8mm wide, and 3mm high PCB.
- Maintains color consistency with an SDCM<3.
- IP40 rating ensures protection against dust in indoor environments.
- Backed by a 5-year warranty.

APPLICATIONS

- Under Cabinet
- Displays
- Cove (Low to Mild Ambient Light)
- Wall Grazing

SPECIFICATIONS

Product Code		<ul style="list-style-type: none"> • SL-ID-30K-LP-XX-A8 [XX: Length in feet; A: 2219 LED; 8: 8mm PCB] • Available in 20 or 100 feet; For 20 feet: SL-ID-30K-LP-20-A8; For 100 feet: SL-ID-30K-LP-100-A8
Electrical	Input Voltage	24V DC
	Power Consumption	1.46W/ft (4.8 W/m)
	Efficacy	110Lm/w
Specs	Color Temperature	3000K
	Lumen Output	160Lm/ft (528Lm/m)
	Beam Angle	140°
	Dimmable	Yes (PWM / 0-10V / 1-10V)
LED	Chip Type	2219
	CRI	90
	# per meter	288
	Binning	1BIN
	SDCM	<3
	Lifespan	50,000 Hours
Design	Dimensions (Inches)	.31" W
	Dimensions (Millimeters)	8mm W
	Max Length	40Ft (12M)
	Custom Cuttable	2.19" (55.5mm)
	IP Rating	IP40
	Approved Location	Indoor
Warranty		5 Years
Approvals		cULus



ACCESSORIES



SL-ID-W2BC-72
6' Powerfeed



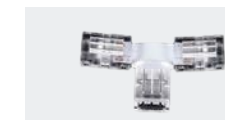
SL-ID-BWBC-6
6" Jumper



SL-ID-B2BC
Splice



SL-ID-LC
L-shaped Connector



SL-ID-TC
T-shaped Connector

DRIVERS

Dimmable



TRE24L40DC
Max. recommended load: 36W; Min. recommended load: 8W; 6.77" x 2.67" x 1.26" (171 x 68 x 32mm)



TRE24L96DC
Max. recommended load: 90W; Min. recommended load: 8W; 6.77" x 2.67" x 1.26" (171 x 68 x 32mm)



SX-24V-DD-100W
Switchex

Non-Dimmable



LEDDR-24-120W
Indoor/Outdoor driver
Max. recommended load: 90W; 10" x 3 3/8" x 3 3/16" (254 x 85.7 x 80.9mm)



PGID2448/PGID2496
Plug-in Driver

CONTROLLERS



CNTRL-0-10V-DIM
0/1-10V Dimming Controller



CNTRL-4Z-CCT-RM
4 Zone CCT Remote



CNTRL-4Z-CCT-RWP-WH OR CNTRL-4Z-CCT-RWP-BK
Rotating CCT Scene Remote (White or Black)

Tunable CCT Indoor, High Power & Low Power

These ultra-efficient tapes feature a dense array of LEDs on a slim PCB, delivering bright and consistent illumination, ideal for demanding indoor lighting applications.



FEATURES

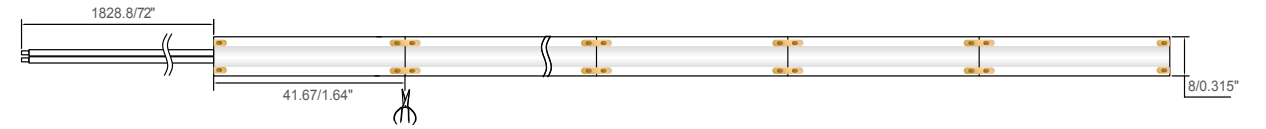
- Tunable between 2700K and 6500K for flexible lighting scenarios.
- Maintains consistent color accuracy with SDCM<3 across the strip.
- IP40 rating suitable for indoor use, offering protection against dust.
- Backed by a 5-year warranty.

APPLICATIONS

- Displays
- Retail; Shelves
- Under Cabinet; Displays; Accent
- Back Lighting / Dark Surfaces

SPECIFICATIONS

Product Code		SL-ID-CCT-HP-XX-A8 [XX: Length in feet; A: 2219 LED; 8: 8mm PCB]	SL-ID-CCT-LP-XX-A8 [XX: Length in feet; A: 2219 LED; 8: 8mm PCB]
		Available in 20 or 100 feet; For 20 feet: SL-ID-CCT-HP-20-A8; For 100 feet: SL-ID-CCT-HP-100-A8	Available in 20 or 100 feet; For 20 feet: SL-ID-CCT-LP-20-A8; For 100 feet: SL-ID-CCT-LP-100-A8
Electrical	Input Voltage	24V DC	
	Power Consumption	2.74 W/ft (9W/m)	1.22 W/ft (4W/m)
	Efficacy	110 Lm/w	
Specs	Color Temperature	2700K–6500K	
	Lumen Output	301Lm/ft (990Lm/m)	134Lm/ft (440Lm/m)
	Beam Angle	140°	
	Dimmable	Yes (PWM / 0-10V / 1-10V)	
LED	Chip Type	2219	
	CRI	90	
	# per meter	384	
	Binning	1BIN	
	SDCM	<3	
	Lifespan	50,000 Hours	
Design	Dimensions (Inches)	.31" W	
	Dimensions (Millimeters)	8mm W	
	Max Length	20Ft (6M)	
	Custom Cuttable	1.64" (41.67mm)	
	IP Rating	IP40	
	Approved Location	Indoor	
Warranty	5 Years		
Approvals	cULus		



ACCESSORIES



SL-ID-W2BC-72
6' Powerfeed



SL-ID-BWBC-6
6" Jumper



SL-ID-B2BC
Splice



SL-ID-LC
L-shaped Connector



SL-ID-TC
T-shaped Connector

DRIVERS

Non-Dimmable



LEDDR-24-120W
Indoor/Outdoor driver
Max. recommended load:
90W;
10" x 3 3/8" x 3 3/16" (254 x 85.7 x 80.9mm)



**PGID2448/
PGID2496**
Plug-in Driver

CONTROLLERS



CNTRL-2W-CCT
2 Wire CCT Controller



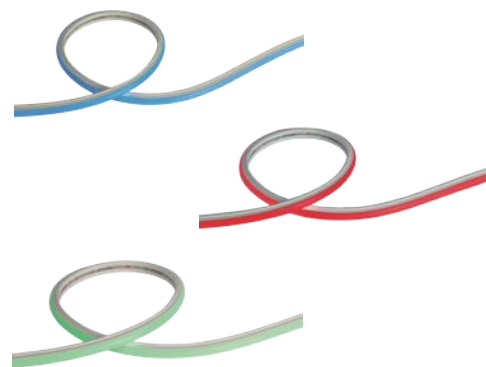
**CNTRL-4Z-CCT-RWP-WH
OR
CNTRL-4Z-CCT-RWP-BK**
Rotating CCT Scene Remote
(White or Black)



CNTRL-4Z-CCT-RM
4 Zone CCT Remote

Outdoor/Indoor RGBW (RGB+3000K)

This performance-driven Red, Green, Blue, White (RGBW) tape light offers vibrant RGB and 3000K warm white options with 252 LEDs per meter for smooth, even illumination. With a durable 3OZ PCB and IP67 rating, it's built for all weather conditions. It comes with power feeds on both ends, allowing you to cut and cap it, using the remaining piece without waste.



FEATURES

- Dual RGB and 3000K lighting options for versatile use.
- Power feeds on both ends allow cutting and reuse without waste.
- IP67 rating ensures protection against

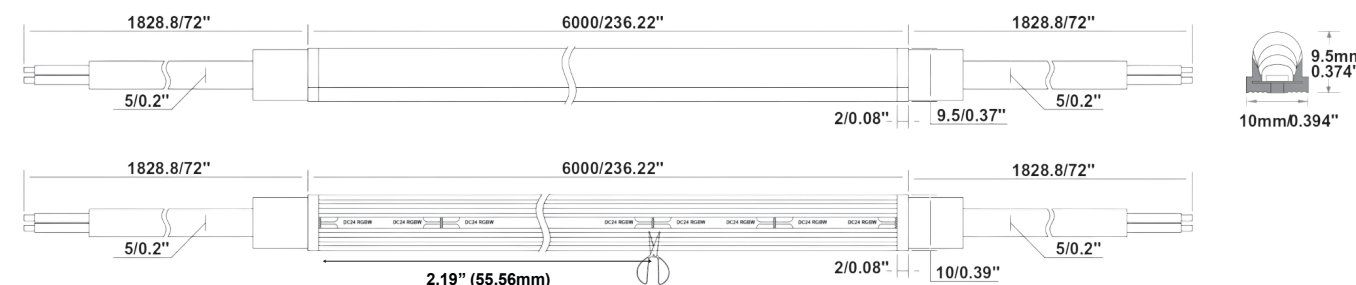
- dust and water in outdoor environments.
- Supported by a 5-year warranty for reliable, long-term performance.
- End caps included.

APPLICATIONS

- Architectural
- Entertainment
- Retail

SPECIFICATIONS

Product Code		<ul style="list-style-type: none"> • SL-OD-RGB30K-XX-BA8 [XX: Length in feet; BA: 2835+2219 LED; 8: 8mm PCB]; • Available in 20 feet: SL-OD-RGB30K-20-BA8
Electrical	Input Voltage	24V DC
	Power Consumption	2.19W/ft (7.2W/m) for RGB, 2.19W/ft (7.2W/m) for 3000K
	Efficacy	70Lm/w
Specs	Color Temperature	RGB + 3000K
	Lumen Output	153Lm/ft (504Lm/m)
	Beam Angle	160°
LED	Chip Type	2835RGB + 2219WW
	CRI	90
	# per meter	252
	Binning	1BIN
	SDCM	<3
	Lifespan	50,000 Hours
Design	Dimensions (Inches)	.37" W
	Dimensions (Millimeters)	9.5mm W
	Max Length	40Ft (12M)
	Custom Cuttable	2.19" (55.56mm)
	IP Rating	IP67
	Approved Location	Outdoor/Indoor
Warranty		5 Years
Approvals		cULus



ACCESSORIES



SL-OD-MC
Mounting Clips



NFLX-GLUE
Silicone Glue



SL-OD-EX-39
1M Solid Mounting Extrusion

DRIVERS

Non-Dimmable



LEDDR-24-120W
Indoor/Outdoor driver
Max. recommended load:
90W;
10" x 3 3/8" x 3 3/16" (254
x 85.7 x 80.9mm)



**PGID2448/
PGID2496**
Plug-in Driver

CONTROLLERS



CNTRL-AMP
5-Channel
High Performance Amplifier



CNTRL-RGBCCT
3 in 1 LED Strip Controller



CNTRL-4Z-RGBCCT-RM
4-Zone RGB+CCT Remote



CNTRL-8Z-RGBCCT-WP
8 Zone RGB+CCT
Wall Panel Remote

Tunable CCT Outdoor, High Power & Low Power

These robust outdoor tapes, tunable between 2700K and 6500K, offer versatile lighting for demanding environments. With 240 LEDs per meter and an IP67 rating, they ensure bright, even illumination and durability for outdoor use.



FEATURES

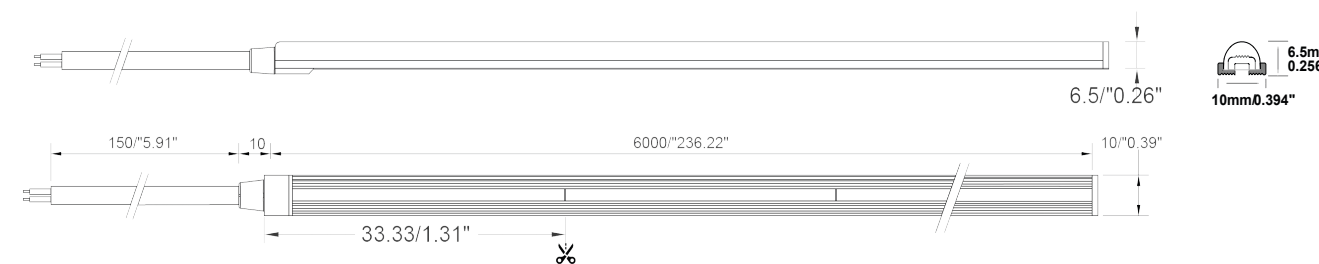
- 2700K–6500K color temperatures for adaptable lighting.
- 240 LEDs per meter for smooth, consistent illumination.
- Durable 8mm wide, 6.5mm thick PCB with 3OZ copper.
- SDCM<3 for consistent color quality and minimal variation.
- IP67 rated for protection against water and dust.
- Backed by a 5-year warranty for reliability.

APPLICATIONS

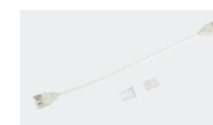
- Architectural
- Building Outlines
- Signage

SPECIFICATIONS

Product Code		SL-OD-CCT-HP-XX-B8	SL-OD-CCT-LP-XX-B8
		[XX: Length in feet; B: 2835 LED; 8: 8mm PCB]	[XX: Length in feet; B: 2835 LED; 8: 8mm PCB]
		Available in 20 feet: SL-OD-CCT-HP-20-B8	Available in 20 feet: SL-OD-CCT-LP-20-B8
Electrical	Input Voltage	24V DC	
	Power Consumption	4.27W/ft (14W/m)	1.83W/ft (6W/m)
	Efficacy	110Lm/w	
Specs	Color Temperature	2700K–6500K	
	Lumen Output	470Lm/ft (1540Lm/m)	201Lm/ft (660Lm/m)
	Beam Angle	140°	
LED	Chip Type	2835	
	CRI	90	
	# per meter	240	
	Binning	1BIN	
	SDCM	<3	
	Lifespan	50,000 Hours	
	Design	Dimensions (Inches)	.25" W
	Dimensions (Millimeters)	6.5mm W	
	Max Length	20Ft (6M)	40Ft (12M)
	Custom Cuttable	1.31" (33.33mm)	
	IP Rating	IP67	
	Approved Location	Indoor/Outdoor	
Warranty		5 Years	
Approvals		cULus	



ACCESSORIES



SL-OD-BWBC-6
6' Jumper



SL-OD-B2BC
Splice



SL-OD-W2BC-72
6' power feed



SL-OD-MC
Mounting Clips



SL-OD-EX-39
1M Solid Mounting Extrusion



NFLX-GLUE
Silicone Glue

DRIVERS

Non-Dimmable



LEDDR-24-120W
Indoor/Outdoor driver
Max. recommended load:
90W;
10" x 3 3/8" x 3 3/16" (254 x 85.7 x 80.9mm)



**PGID2448/
PGID2496**
Plug-in Driver

CONTROLLERS



CNTRL-2W-CCT
2 Wire CCT Controller



**CNTRL-4Z-CCT-RWP-WH
OR
CNTRL-4Z-CCT-RWP-BK**
Rotating CCT Scene Remote
(White or Black)



CNTRL-4Z-CCT-RM
4 Zone CCT Remote



CNTRL-8Z-RGBCCT-WP
8 Zone RGB+CCT
Wall Panel Remote



CNTRL-4Z-RGBCCT-RM
4-Zone RGB+CCT Remote

Standard Tape, High Power Indoor (2700K & 3000K)



This high-power indoor tape light, available in 2700K and 3000K, delivers efficient and consistent illumination. Using high-quality 2835 LEDs, it offers excellent brightness and energy efficiency.

FEATURES

- High efficiency at 110 lumens per watt.
- Excellent color consistency with SDCM<2.
- 6-foot power feed for flexible installation.

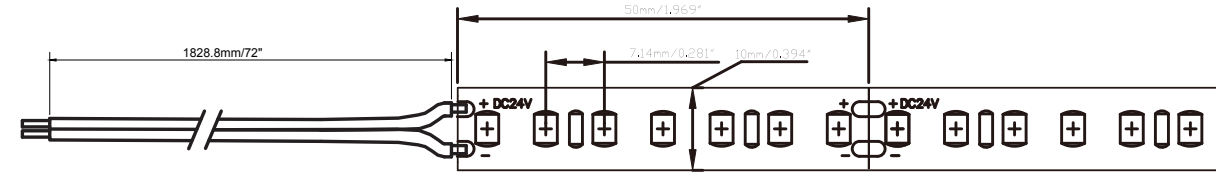
- Suitable for indoor use with IP20 rating.
- Backed by a 5-year warranty for long-term reliability.

APPLICATIONS

- Under Cabinet
- Retail / Displays / Accent
- Cove (High Ambient Light)

SPECIFICATIONS

Product Code		ST-ID-27K-HP-XX-B0	ST-ID-30K-HP-XX-B0
		[XX: Length in feet; B: 2835 LED; O: 10mm PCB]	[XX: Length in feet; B: 2835 LED; O: 10mm PCB]
		Available in 20 feet: ST-ID-27K-HP-20-B0	Available in 20 feet: ST-ID-30K-HP-20-B0
Electrical	Input Voltage	24V DC	
	Power Consumption	4.39W/ft (14.5W/m)	
	Efficacy	110Lm/w	
Specs	Color Temperature	2700K	3000K
	Lumen Output	486Lm/ft (1595Lm/m)	
	Beam Angle	120°	
	Dimmable	Yes, via controllers	
LED	Chip Type	2835	
	CRI	90	
	# per meter	140	
	Binning	1BIN	
	SDCM	<2	
	Lifespan	50,000 Hours	
Design	Dimensions (Inches)	.39" W	
	Dimensions (Millimeters)	10mm W	
	Max Length	20Ft (6M)	
	Custom Cuttable	1.97" (50mm)	
	IP Rating	IP20	
	Approved Location	Indoor	
Warranty	5 Years		
Approvals	cULus		



ACCESSORIES



ST-10MM-BWBC-6
6' Jumper



ST-10MM-B2BC
Splice



ST-10MM-W2BC-72
6' power feed

DRIVERS

Dimmable



TRE24L40DC
Max. recommended load: 36W; Min. recommended load: 8W; 6.77" x 2.67" x 1.26" (171 x 68 x 32mm)



TRE24L96DC
Max. recommended load: 90W; Min. recommended load: 8W; 6.77" x 2.67" x 1.26" (171 x 68 x 32mm)



SX-24V-DD-100W
Switchex

Non-Dimmable



LEDDR-24-120W
Indoor/Outdoor driver
Max. recommended load: 90W; 10" x 3 3/8" x 3 3/16" (254 x 85.7 x 80.9mm)



PGID2448/PGID2496
Plug-in Driver

CONTROLLERS



CNTRL-0-10V-DIM
0/1-10V Dimming Controller

Standard Tape, Low Power Indoor (2700K & 3000K)



This low-power indoor tape light, in 2700K and 3000K, offers energy-efficient warm lighting with high-quality 2835 LEDs on a 10mm PCB for reliable performance and color consistency.

FEATURES

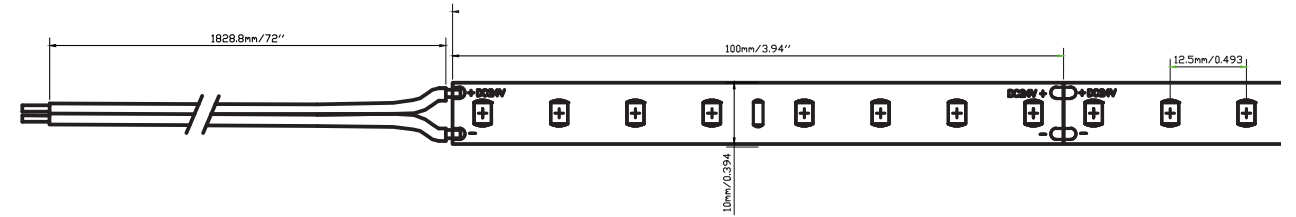
- 7.2W/m for energy-efficient lighting.
- 10mm wide, 2mm thick PCB with 3OZ copper for durability.
- IP20 rating for indoor use.
- 100mm cutting intervals for flexible installation.
- 5-year warranty for long-term reliability.

APPLICATIONS

- Under Cabinet
- Retail / Shelves
- Displays / Accent
- Back Lighting / Wall Grazing

SPECIFICATIONS

Product Code		ST-ID-27K-LP-XX-B0	ST-ID-30K-LP-XX-B0
		[XX: Length in feet; B: 2835 LED; 0: 10mm PCB]	[XX: Length in feet; B: 2835 LED; 0: 10mm PCB]
		Available in 20 feet: ST-ID-27K-LP-20-B0	Available in 20 feet: ST-ID-30K-LP-20-B0
Electrical	Input Voltage	24V DC	
	Power Consumption	2.19W/ft (7.2W/m)	
	Efficacy	120Lm/w	
Specs	Color Temperature	2700K	3000K
	Lumen Output	263Lm/ft (864Lm/m)	
	Beam Angle	120°	
	Dimmable	Yes, via controllers	
LED	Chip Type	2835	
	CRI	90	
	# per meter	80	
	Binning	1BIN	
	SDCM	<2	
	Lifespan	50,000 Hours	
Design	Dimensions (Inches)	.39" W	
	Dimensions (Millimeters)	10mm W	
	Max Length	40Ft (12M)	
	Custom Cuttable	3.94" (100mm)	
	IP Rating	IP20	
	Approved Location	Indoor	
Warranty	5 Years		
Approvals	cULus		



ACCESSORIES



ST-10MM-BWBC-6
6' Jumper



ST-10MM-B2BC
Splice



ST-10MM-W2BC-72
6' power feed

DRIVERS

Dimmable



TRE24L40DC
Max. recommended load: 36W; Min. recommended load: 8W;
6.77" x 2.67" x 1.26" (171 x 68 x 32mm)



TRE24L96DC
Max. recommended load: 90W; Min. recommended load: 8W;
6.77" x 2.67" x 1.26" (171 x 68 x 32mm)



SX-24V-DD-100W
Switchex

Non-Dimmable



LEDDR-24-120W
Indoor/Outdoor driver
Max. recommended load: 90W;
10" x 3 3/8" x 3 3/16" (254 x 85.7 x 80.9mm)



**PGID2448/
PGID2496**
Plug-in Driver

CONTROLLERS



CNTRL-0-10V-DIM
0/1-10V Dimming Controller

RGB High Power Indoor

This high-power RGB tape light is designed to deliver vibrant and customizable color effects with superior brightness. Utilizing high-density 2835 LEDs, it offers dynamic lighting for various indoor environments. With a power consumption of 14.4W/m and a wide beam angle of 120°, this strip light is perfect for creating striking and colorful lighting scenes.



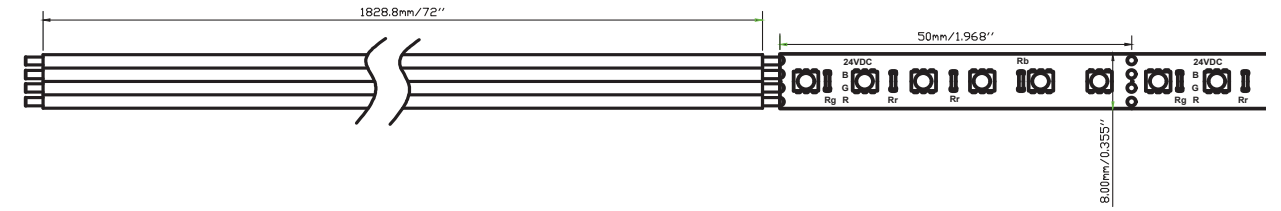
FEATURES

- Customizable RGB lighting for dynamic color effects.
- 14.4W/m for bright and vivid illumination.
- 36 lumens per watt for rich color saturation.
- 120 LEDs per meter for even light distribution.
- 3OZ copper PCB for enhanced durability and heat management.
- 120° beam angle for wide and uniform light coverage.
- IP20 rating for indoor use, protecting against dust.
- 50mm cutting intervals for precise customization.
- 5-year warranty for long-term reliability.

APPLICATIONS

- Architectural
- Entertainment
- Retail
- Commercial

SPECIFICATIONS		
Product Code	<ul style="list-style-type: none"> • ST-ID-RGB-HP-XX-B8 [XX: Length in feet; B: 2835 LED; 8: 8mm PCB] • Available in 20 feet: ST-ID-RGB-HP-20-B8 	
Electrical	Input Voltage	24V DC
	Power Consumption	4.39W/ft (14.4W/m)
	Efficacy	36Lm/w
Specs	Color Temperature	RGB
	Lumen Output	158Lm/ft (518Lm/m)
	Beam Angle	120°
LED	Chip Type	2835
	# per meter	120
Design	Dimensions (Inches)	.31" W
	Dimensions (Millimeters)	8mm W
	Max Length	20Ft (6M)
	Custom Cuttable	1.97" (50mm)
	IP Rating	IP20
	Approved Location	Indoor
Warranty	5 Years	
Approvals	cULus	



ACCESSORIES



ST-ID-RGB-BWBC-6
6" Jumper



ST-ID-RGB-B2BC
Splice



ST-ID-RGB-W2BC-72
6' power feed

DRIVERS

Non-Dimmable



LEDDR-24-120W
Indoor/Outdoor driver
Max. recommended load:
90W;
10" x 3 3/8" x 3 3/16" (254 x 85.7 x 80.9mm)



**PGID2448/
PGID2496**
Plug-in Driver

CONTROLLERS



CNTRL-AMP
5-Channel
High Performance
Amplifier



CNTRL-8Z-RGBCCT-WP
8 Zone RGB+CCT
Wall Panel Remote

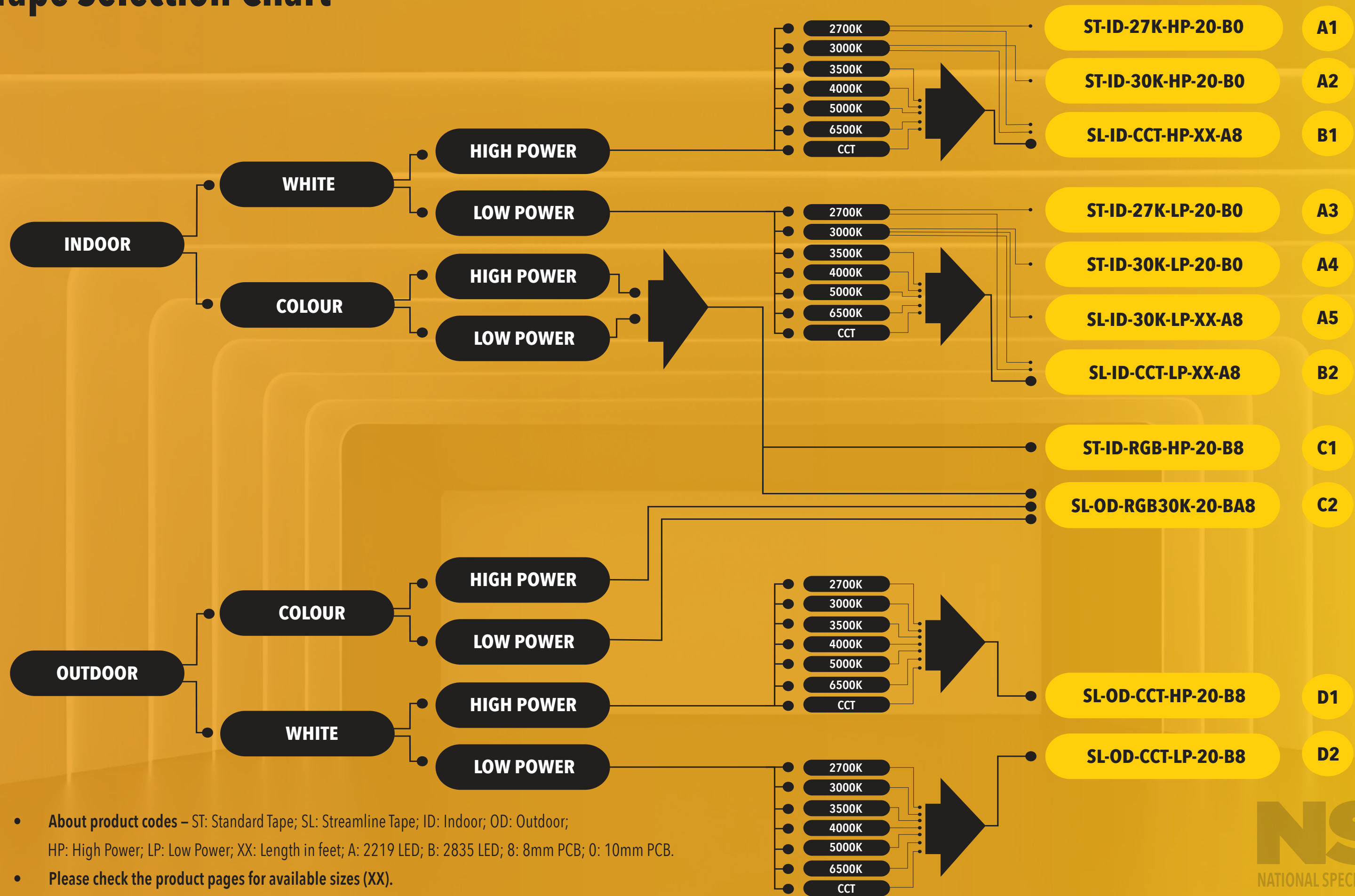


CNTRL-RGBCCT
3 in 1 LED Strip Controller



CNTRL-4Z-RGBCCT-RM
4-Zone RGB+CCT Remote

Tape Selection Chart



- **About product codes** – ST: Standard Tape; SL: Streamline Tape; ID: Indoor; OD: Outdoor; HP: High Power; LP: Low Power; XX: Length in feet; A: 2219 LED; B: 2835 LED; 8: 8mm PCB; 0: 10mm PCB.
- **Please check the product pages for available sizes (XX).**

Applications, Drivers & Controllers

Applications

- Under Cabinet
- Cove (Low to Mid Ambient Light)

A3 A4 A5 B2

- Cove (High Ambient Light)
- Dark Surfaces (Higher Lumen)
- Under Cabinet

A1 A2 B1

- Wall Grazing
- Displays

A3 A4 A5 B2

- Displays
- Retail
- Shelves
- Under Cabinet
- Displays / Accent
- Back Lighting
- Cove (High Ambient Light)

A1 A2 A3 A4
B1 B2

- Architectural
- Entertainment
- Retail

C1 C2

- Architectural
- Building Outlines
- Signage

D1 D2

Drivers



Plug-in Driver
PGID2448/
PGID2496

A1 A2 A3 A4
A5 B1 B2 C1
C2 D1 D2



Switchex®
SX-24V-DD-100W

A1 A2 A3 A4
A5



*Dimmable Driver
TRE24L40DC
TRE24L96DC

A1 A2 A3 A4
A5



*Non-Dimmable Driver
LEDDR-24-120W

A1 A2 A3 A4
A5 B1 B2 C1
C2 D1 D2

Controllers



CNTRL-8Z-RGBCCT-WP
B1 B2 D1 D2
C1 C2



CNTRL-0-10V-DIM
A1 A2 A3 A4
A5



CNTRL-4Z-RGBCCT-RM
C1 C2



CNTRL-2W-CCT
B1 B2 D1 D2



CNTRL-RGBCCT
C1 C2



CNTRL-4Z-CCT-RM
B1 B2 D1 D2



CNTRL-AMP
C1 C2



CNTRL-4Z-CCT-RWP-WH
(White)



CNTRL-4Z-CCT-RWP-BK
(Black)



Tape Replacement Guide: Part 1

High Density, High Power Indoor {LTP-XX-YY-HD-H90} ➔ **Tunable CCT High Power Indoor** {SL-ID-CCT-HP-XX-A8}

High Density, Low Power Indoor {LTP-XX-YY-HD-LP-H90} ➔ **Tunable CCT Low Power Indoor** {SL-ID-CCT-LP-XX-A8}

CCT Indoor {LTP-16-CCT-H90} ➔ **Tunable CCT High Power Indoor** {SL-ID-CCT-HP-XX-A8}

COB Indoor {LTP-XX-YY-COB-H90} ➔ **Tunable CCT High Power Indoor** {SL-ID-CCT-HP-XX-A8}

High Efficacy Indoor {LTP-XX-YY-HE-H90} ➔ **Tunable CCT High Power Indoor** {SL-ID-CCT-HP-XX-A8}

High Power Indoor {LTP-XX-YY-H90} ➔ **Tunable CCT High Power Indoor** {SL-ID-CCT-HP-XX-A8}

High Power, RGB Indoor {LTP-XX-RGB} ➔ **RGB High Power Indoor** {ST-ID-RGB-HP-20-B8}

High Power Outdoor {LTP-OD-20-YY-H90} ➔ **Tunable CCT High Power Outdoor** {SL-OD-CCT-HP-20-B8}

High Density, Low Power Indoor (3000K) {LTP-XX-3000K-HD-LP-H90} ➔ **Low Power Indoor (3000K)** {SL-ID-30K-LP-XX-A8} OR **Tunable CCT Low Power Indoor** {SL-ID-CCT-LP-XX-A8}

Tunable CCT High Power Outdoor {SL-OD-CCT-HP-20-B8} OR **Outdoor/Indoor RGBW (RGB+3000K)** {SL-OD-RGB30K-20-BA8}

High Efficacy Indoor (2700K) {LTP-XX-2700K-HE-H90} ➔ **Standard Tape, High Power Indoor (2700K)** {ST-ID-27K-HP-20-B0} OR **Tunable CCT High Power Indoor** {SL-ID-CCT-HP-XX-A8}

High Efficacy Indoor (3000K) {LTP-XX-3000K-HE-H90} ➔ **Standard Tape, High Power Indoor (3000K)** {ST-ID-30K-HP-20-B0} OR **Tunable CCT High Power Indoor** {SL-ID-CCT-HP-XX-A8}

High Power Indoor (2700K) {LTP-XX-2700K-H90} ➔ **Standard Tape, High Power Indoor (2700K)** {ST-ID-27K-HP-20-B0} OR **Tunable CCT High Power Indoor** {SL-ID-CCT-HP-XX-A8}

High Power Indoor (3000K) {LTP-XX-3000K-H90} ➔ **Standard Tape, High Power Indoor (3000K)** {ST-ID-30K-HP-20-B0} OR **Tunable CCT High Power Indoor** {SL-ID-CCT-HP-XX-A8}

➔ Please check the product pages for available sizes (XX).

➔ ST represents the Standard Tape:  ➔ SL represents the Streamline Tape: 



Tape Replacement Guide: Part 2

High Power, RGB Outdoor {LTP-OD-20-RGB} ➔ **Outdoor/Indoor RGBW (RGB+3000K)** {SL-OD-RGB30K-20-BA8}

High Power, RGBW Indoor {LTP-XX-YY-HD-LP-H90} ➔ **Outdoor/Indoor RGBW (RGB+3000K)** {SL-OD-RGB30K-20-BA8}

Low Power Indoor {LTP-XX-YY-H90-LP} ➔ **Tunable CCT Low Power Indoor** {SL-ID-CCT-LP-XX-A8}

Low Power Indoor (2700K) {LTP-XX-2700K-H90-LP} ➔ **Standard Tape, Low Power Indoor (2700K)** {ST-ID-27K-LP-20-B0} OR **Tunable CCT Low Power Indoor** {SL-ID-CCT-LP-XX-A8}

Low Power Indoor (3000K) {LTP-XX-3000K-H90-LP} ➔ **Low Power Indoor (3000K)** {SL-ID-30K-LP-XX-A8} OR **Standard Tape, Low Power Indoor (3000K)** {ST-ID-30K-LP-20-B0} OR **Tunable CCT Low Power Indoor** {SL-ID-CCT-LP-XX-A8}

Low Power Indoor {LTP-XX-YY-LP} ➔ **Low Power Indoor (3000K)** {SL-ID-30K-LP-XX-A8}

Low Power Outdoor {LTP-OD-20-YY-H90-LP} ➔ **Tunable CCT Low Power Outdoor** {SL-OD-CCT-LP-20-B8}

Low Power, RGB Indoor {LTP-XX-RGB-LP} ➔ **RGB High Power Indoor** {ST-ID-RGB-HP-20-B8}

Low Power, RGB Outdoor {LTP-OD-20-RGB-LP} ➔ **Outdoor/Indoor RGBW (RGB+3000K)** {SL-OD-RGB30K-20-BA8}

Dim to Warm {LTP-XX-WW-DIM-H90} ➔ **Please Contact Customer Care**

- ➔ Please check the product pages for available sizes (XX).
- ➔ Customer Care: nlsales@nslusa.com | 303.926.1100

- ➔ ST represents the Standard Tape:
- ➔ SL represents the Streamline Tape:



Extrusions

These are designed to house and protect LED strip lights, enhancing durability and providing a sleek, professional finish. They also help to diffuse light evenly, preventing hotspots and creating a more aesthetically pleasing lighting effect.

LV-ALP2208 | LV-ALP2208-BK

Surface mount aluminium extrusion and frosted PC cover



Product Codes

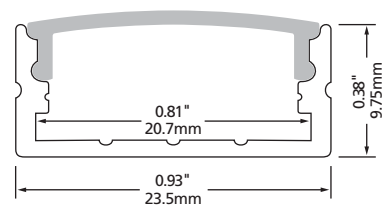
- LV-ALP2208
- LV-ALP2208-2M
- LV-ALP2208-BK (Black Color)

End Caps

- LV-ALP2208-EC (2/bag)
- LV-ALP2208-EC-WF (2/bag)

Mounting Clips

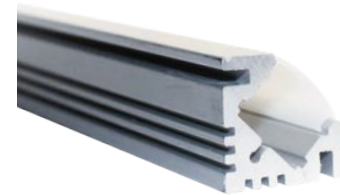
- LV-ALP2208-MC (2/bag)



NOTE: Available in 1m (39") and 2m (78") lengths.

LV-LB-V3-FR

Corner surface mounted aluminum extrusion and frosted PC cover



Product Code

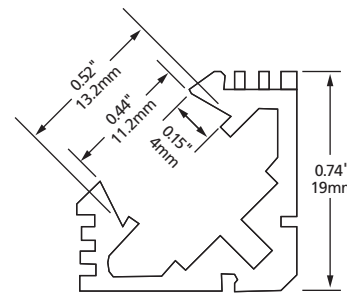
- LV-LB-V3-FR

End Caps

- LV-V1/V3-EC (2/bag)
- LV-V1/V3-EC-WF (2/bag)

Mounting Clips

- LV-V1/V3-MC (6/bag)



NOTE: Available in 1m (39") length.

LV-ALP007 | LV-ALP007-BK

Surface mount aluminium extrusion and frosted PC cover



Product Codes

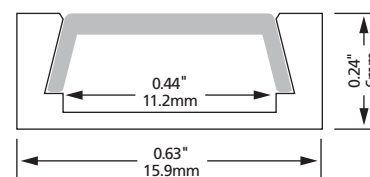
- LV-ALP007
- LV-ALP007-2M
- LV-ALP007-BK (Black Color)

End Caps

- LV-ALP007-EC (2/bag)
- LV-ALP007-EC-WF (2/bag)

Mounting Clips

- LV-ALP007-MC (6/bag)



NOTE: Available in 1m (39") and 2m (78") lengths.

LV-RD54

Surface mount aluminum extrusion



Product Codes

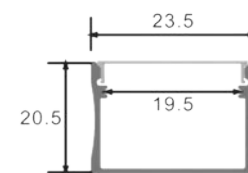
- LV-RD54-1M
- LV-RD54-2M

End Caps

- LV-RD54/55-EC (2/bag)
- LV-RD54/55-EC-WF (2/bag)

Mounting Clips

- LV-RD54/55-EC-MC (6/bag)



NOTE: Available in 1m (39") and 2m (78") lengths.

LV-RD55

Recessed aluminum extrusion



Product Codes

- LV-RD55-1M
- LV-RD55-2M

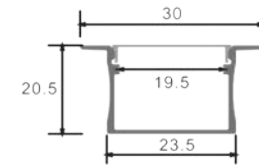
End Caps

- LV-RD54/55-EC (2/bag)

- LV-RD54/55-EC-WF (2/bag)

Mounting Clips

- LV-RD54/55-EC-MC (6/bag)



NOTE: Available in 1m (39") and 2m (78") lengths.

LV-ALP2908

Recessed aluminum extrusion and frosted PC cover



Product Codes

- LV-ALP2908
- LV-ALP2908-2M

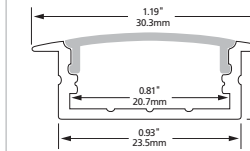
End Caps

- LV-ALP2908-EC (2/bag)

- LV-ALP2908-EC-WF (2/bag)

Mounting Clips

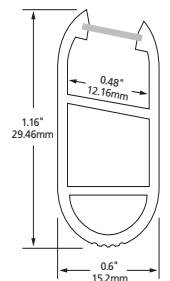
- LV-ALP2908-MC (2/bag)



NOTE: Available in 1m (39") and 2m (78") lengths.

LV-1401

Closet aluminum extrusion with mounting brackets and frosted PC cover



NOTE: 1m (39") extrusion ships complete with two mounting end caps

LV-PC-TO

Tape-Over Lens

A low-profile arched clear or frosted lens that provides an economical protective shield while minimizing diode imaging.

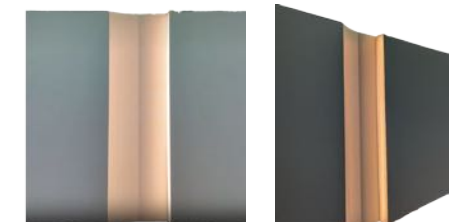


NOTE: Available in 1m (39") length.

Dry Wall Extrusions

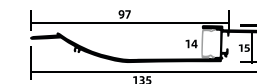
For indirect lighting applications.

Mud in extrusions for low-voltage linear lighting provide a seamless, trimless finish by embedding fixtures directly into walls or ceilings. This clean, modern solution creates smooth, continuous lines of light, perfect for minimalist designs.



MIX-01-16.6-2.5M (End caps included)

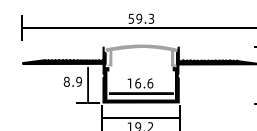
19mm x 13mm Mud in Extrusion, Aluminum, 1 Flange, Silver, 2.5M (95.25")



NOTE: Intended for cove or base illumination.

MIX-02-16.6-2.5M (End caps included)

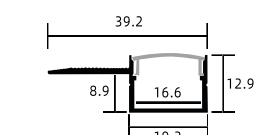
19mm x 13mm Mud in Extrusion, Aluminum, 2 Flange, Silver, 2.5M (95.25")



NOTE: Intended for in-wall or in-ceiling details.

MIX-03-14-2.5M (End caps included)

135mm x 19mm Mud in Extrusion, Aluminum, 2 Flange, White, 2.5M (95.25")



NOTE: Intended for use along millwork.

120V AC eStrip

This field cuttable eStrip is an ideal solution for accent lighting in residential, commercial and retail applications, the 120V AC LED eStrip can be easily installed without the need of any additional driver, in indoor and outdoor applications.



FEATURES

- Field cuttable; 120V AC input voltage
- High light efficiency, high PF and high lumens
- Constant current design, overvoltage protection
- Drop current when over temperature to protect product (Max. ambient working temperature: 55°C, light up for no more than 6 hours)
- Dimmable: TRIAC
- No need of a transformer box to change AC to DC; connect with line voltage directly

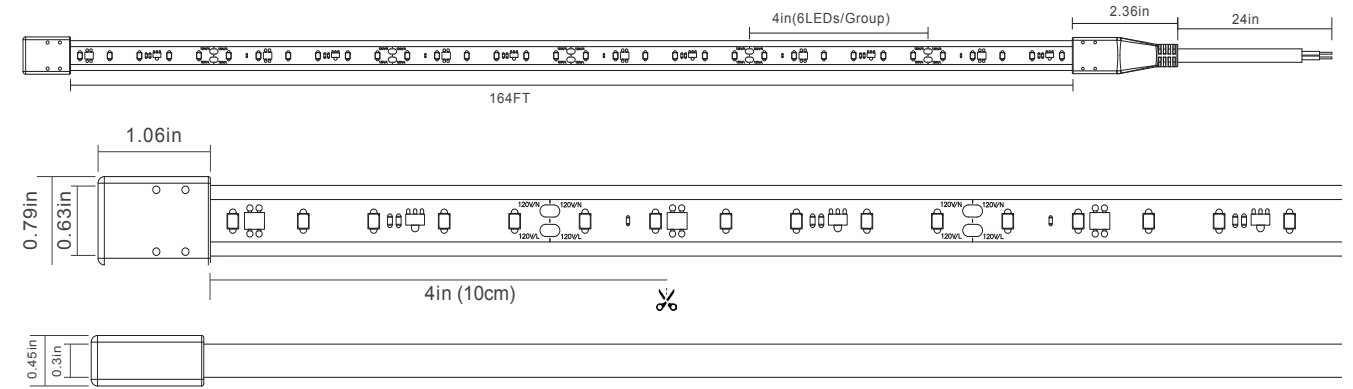
- Ambient Working Temperature: -20 ~ 42°C (-4 ~ 107°F)
- IP65 PVC extrusion process
- Min.section 4 inch; Max.run 164FT
- With bared power cords on one side, it's more convenient for connecting
- ETL certified
- 5 years warranty indoor use; 3 years warranty outdoor use

APPLICATIONS

- Building outlines
- Signage
- Decks
- Architectural features

SPECIFICATIONS

Product Code		ES-120V-27K-164FT	ES-120V-30K-164FT	ES-120V-40K-164FT
(XX: Length in feet)		Custom cut: ES-120V-27K-XX	Custom cut: ES-120V-30K-XX	Custom cut: ES-120V-40K-XX
Electrical	Input Voltage	120V AC		
	Power Consumption	4 W/Ft		
Specs	Color Temperature	2700K	3000K	4000K
	Lumen Output	280Lm/ft (919Lm/m)	300Lm/ft (984Lm/m)	340Lm/ft (1115Lm/m)
	CRI	90+		
	Dimmable	Yes, with TRIAC dimmers		
LED	Type	SMD2835		
	Life Span	30,000 Hours		
	Spacing	N/A		
	# per foot (304mm)	18 LEDs		
Design	Dimensions (Inches)	.79" W		
	Dimensions (Millimeters)	20mm W		
	Max Single Run Length	50M (164Ft)		
	Custom Cuttable	Cutttable every 10CM (4 Inches approx.)		
	IP Rating	IP65		
	Approved Location	Indoor/Outdoor		
Warranty	5 Years (Indoor use); 3 Years (Outdoor use)			
Approvals	cETLus			



PRODUCT CODES

XX: Length in feet; YY: Color temperature

164 Ft spools
ES - 120V - YY - 164FT

Custom cuts
ES - 120V - YY - XX

LED Color
27K: 2700K
30K: 3000K
40K: 4000K

LED Color
27K: 2700K
30K: 3000K
40K: 4000K

ACCESSORIES



ES-120V-EC
End cap (Indoor & Outdoor)



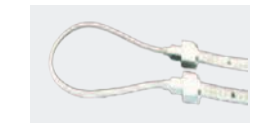
ES-120V-EXT
4ft Aluminum extrusion



ES-120V-PC
8Ft Power cord



ES-120V-PC-PL
5Ft Power cord with plug



ES-120V-JC-1FT
Jumper, 1Ft



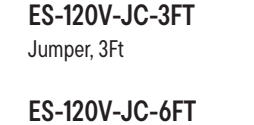
ES-120V-MC
Mounting clips (Bag of 10)



NFLX-GLUE
Silicone Glue
(To be used for outdoor applications)



LV-ALP2208
Surface mount aluminum extrusion and frosted PC cover



ES-120V-JC-3FT
Jumper, 3Ft

ES-120V-JC-6FT
Jumper, 6Ft

ES-120V-JC-6IN
Jumper, 6"

120V AC RGB eStrip

This 120V RGB LED strip delivers vibrant, customizable lighting for both indoor and outdoor spaces. Built to last with an IP67 rating and SMD 5050 LEDs, it ensures durability in challenging environments..



FEATURES

- Vibrant RGB lighting for dynamic effects.
- IP67-rated for indoor/outdoor use.
- Supports 164 ft (50M) single runs.
- Slim profile (0.59 x 0.31 inches) fits tight spaces.
- SMD 5050 LEDs deliver uniform RGB illumination.
- Operates in -20°C to 60°C range.
- Designed for long-lasting performance
- Dimmable with a controller.
- Certified safe with cETLus.

APPLICATIONS

OUTDOOR

- Building Facades
- Bridge or Railing Illumination
- Pathway Lighting
- Deck and Patio Lighting
- Signage Illumination
- Holiday Decor
- Sports Courts

INDOOR

- Accent Lighting
- Home Theaters
- Event Lighting
- Retail Displays
- Under-Cabinet Lighting

SPECIFICATIONS

Product Code		YH-HRF50CA120S-505060RGB
Electrical	Input Voltage	120V AC
	Power Consumption	3 W/Ft (10 W/M)
Specs	Color Temperature	RGB
	Lumen Output	67Lm/ft (220Lm/m)
	Dimmable	Yes, with dimmer controller
LED	Type	SMD LED 5050
	# per foot	18 LEDs (60LEDs/M)
Design	Dimensions (Inches)	0.59 x 0.31 inches (W x H)
	Dimensions (Millimeters)	5 x 8mm (W x H)
	Max Single Run Length	50M (164Ft)
	Cut Length	100CM (3.2 Ft approx.)
	Operating Temperature	-20 ~ 60°C
	IP Rating	IP67
	Approved Location	Indoor/Outdoor
Warranty	2 Years	
Approvals	cETLus	

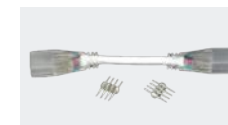
* Please note that this product is not field cuttable and requires assembly to be completed at the warehouse.



ACCESSORIES



YH-RGB-POWERCORD
Power Cord for RGB Color (20CM)



YH-RGB-MIDDLECON
Waterproof Middle Connector (15CM)



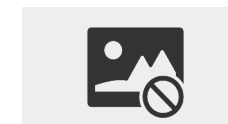
YH-RGB-ENDCAP
End Cap



YH-FIXCLIP
Aluminum Fix Clip



YH-HC04
Wireless RF RGB Touch Remote Controller



YH-SIGNAL-AMP
Wireless RF RGB Signal Amplifier

Low Power eStrip

The Low Power LED eStrip, equipped with 3014 type LEDs, is a versatile linear lighting solution that offers improved brightness and performance.



FEATURES

- 40,000 hours life.
- Safe low voltage (24V).
- Virtually maintenance free.
- Ultra low power consumption.
- Available in 40' spools (custom cuts available).
- Crushproof to 100psi.
- Field cuttable.
- Inter-connectable.
- Highly flexible (min. bend radius 1.5").
- Indoor/outdoor use
- Impact resistant.
- Dimmable.
- 2 years limited warranty.

APPLICATIONS

- Building outlines
- Coves
- Stairway and aisle lighting
- Signage
- Backlit panels
- Decks
- Edgelit glow
- Emergency lighting
- Pathway lighting
- Billboards
- Highlighting architectural features
- Over/Under cabinets

SPECIFICATIONS

Product Code		LES-XX-YY (XX: Length in feet; YY: Color temperature)
Product Code		Available in 90Ft spools: LES-90-3000K, LES-90-5800K, LES-90-AM, LES-90-BL, LES-90-PG, LES-90-RD
Product Code		For custom cuts, please use: LES-XX-3000K, LES-XX-5800K, LES-XX-AM, LES-XX-BL, LES-XX-PG, LES-XX-RD
Electrical	Input Voltage	24V DC
	Power Consumption	0.96W/Ft
Specs	Color Temperature	3000/5800K
	Lumen Output	61Lm/ft (200Lm/m) for 5800K; 55Lm/ft (180Lm/m) for 3000K
	LED Colors	Amber, Red, Blue, Pure Green, 5800K, 3000K
	PVC Body Color	Clear
	Min/Max Surface Temp for Mounting	-40°C - 40°C (-40°F - 104°F)
	Dimmable	Yes
	Beam Angle	120°
LED	Life Span	40,000 Hours
	Spacing	1" (25.4mm)
	# per foot (304mm)	12
Design	Dimensions (Inches)	.25 x .5"
	Dimensions (Millimeters)	6 x 12mm
	Max Single Run Length	90Ft
	Custom Cuttable	6" (152.4mm)
	Approved Location	Indoor/Outdoor
Warranty		2 Years
Approvals		cETLus

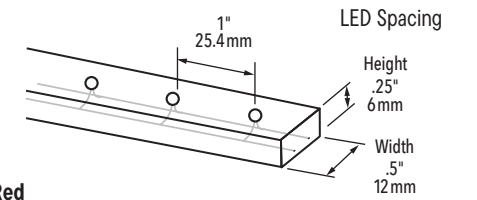
PRODUCT CODES ——— XX: Length in feet; YY: Color temperature

90Ft spools
LES - 90 - YY

LED eStrip LED Color
3000K, 5800K, AM - Amber,
BL - Blue, PG - Pure Green, RD - Red

Custom cuts
LES - XX - YY

LED eStrip LED Color
3000K, 5800K, AM - Amber,
BL - Blue, PG - Pure Green, RD - Red



ACCESSORIES



LES-001-6BR
Outdoor 6' Power connector for burial connections, 1/4" x 1/2" (6mm x 12mm). Comes with end cap



LES-001-12BR
Outdoor Power connector, with SJTW-2 12 ft wires for burial connections 1/4" x 1/2" (6mm x 12mm) Comes with end cap



LES-STP-2BR
Outdoor 2' Step cord for burial connections



LES-STP-12BR
Outdoor 12' Step cord (shown) for burial connections



LES-FLEX-BR
Outdoor Step cord for burial connections

LES-001-6CL
Indoor 6' Power connector for through wall connections

LES-001-12CL
Indoor 12' Power connector for through wall connections

LES-STP-2CL
Indoor 2' Step cord (shown) for through wall connections

LES-STP-12CL
Indoor 12' Step cord for through wall connections

LES-FLEX-CL
Indoor Step cord (shown) for through wall connections



LES-BFTD
T type connector, 1/4" X 1/2" (6 x 12mm), male connector in bottom



LES-003-2
Cutting end cap, 0.25" X 0.5" (6mm x 12mm)



LMSII-001
Terminal block and junction box for connection to additional lengths of power cable if needed



LES-BFLN
L type connector, 1/4" X 1/2" (6mm x 12mm)



LES-002
In-Line connector set, male and female, 1/4" X 1/2" (6mm x 12mm)



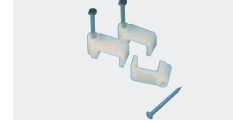
LES-BFXN
X type connector, 1/4" X 1/2" (6mm x 12mm)



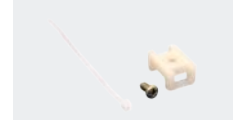
LES-BFDN
6 x 12mm splice kit (pins, pad and shrink tube)



LES-BFTR
T type connector, 1/4" X 1/2" (6 x 12mm), male connector in right or left



LES-005
Wood nail clips, 1/4" X 1/2" (6mm x 12mm)



LES-008
Tie wrap and mounting saddle

INDOOR/OUTDOOR

DIMMABLE DRIVERS

Switchex®
LED DRIVER + DIMMER IN ONE
A dimmer with an integrated driver that converts 120VAC to either 12VDC or 24VDC.

TRE24L40DC
Max 37.5' (11.4m)
6.77" x 2.67" x 1.26" (171 x 68 x 32mm)

TRE24L96DC
Max 90' (27.4m)
6.77" x 2.67" x 1.26" (171 x 68 x 32mm)

NOTE: For outdoor installations, please add E-KO-SR strain relief (2pcs/driver).

LES-010
4' plastic mounting channel, indoor use

LES-010-S
Predrilled with screws

LES-010-T
With double sided tape

NN-C10-POLY
Polycarbonate 1/2" U channel track for outdoor use

CNTRL-0-10V-DIM
0/1-10V Dimming Controller

NON DIMMABLE DRIVERS

LEDDR-24-120W (Indoor/Outdoor driver)
Max 40' (12m) per single tap
Max 54' (16.4m) combined 2 secondary taps
Input: 100 - 240V AC, Output: 24V DC
10" x 3 3/8" x 3 3/16" (254 x 85.7 x 80.9mm)

LES-24-65W
Indoor Plug In Driver
Input: 100-240V AC
Output: 24V DC
4.7" x 2" x 1.3" (119.4 x 50.8 x 33mm)

High Power eStrip

The High Power LED eStrip is an advanced version that delivers twice the lumen output compared to the standard eStrip, enhancing illumination capabilities.



FEATURES

- 40,000 hours life.
- Safe low voltage (24V).
- Virtually maintenance free.
- Ultra low power consumption.
- Available in 40' spools (custom cuts available).
- Crushproof to 100psi.
- Field cuttable.
- Inter-connectable.
- Highly flexible (min. bend radius 1.5").
- Indoor/outdoor use.
- Impact resistant.
- Dimmable.
- 2-year limited warranty.

APPLICATIONS

- Building outlines
- Coves
- Stairway and aisle lighting
- Signage
- Backlit panels
- Decks
- Edgelit glow
- Emergency lighting
- Pathway lighting
- Billboards
- Highlighting architectural features
- Over/Under cabinets

SPECIFICATIONS

Product Code		LESHP-XX-YY (XX: Length in feet; YY: Color temperature)
		Available in 40Ft spools: LESHP-40-3000K, LESHP-40-5800K
		For custom cuts, please use: LESHP-XX-3000K, LESHP-XX-5800K
Electrical	Input Voltage	24V DC
	Power Consumption	2.2W/Ft
Specs	Color Temperature	3000/5800K
	Lumen Output	137Lm/ft (450Lm/m) for 3000K; 155Lm/ft (508Lm/m) for 5800K
	LED Colors	3000K and 5800K
	PVC Body Color	Clear
	Min/Max Surface Temp for Mounting	-40°C to 40°C (-40°F to 104°F)
	Dimmable	Yes
	Beam Angle	120°
LED	Life Span	40,000 Hours
	Spacing	1" (25.4mm)
	# per foot (304mm)	12
Design	Dimensions (Inches)	.25 x .5"
	Dimensions (Millimeters)	6 x 12mm
	Max Single Run Length	40Ft
	Custom Cuttable	6" (152.4mm)
	Approved Location	Indoor/Outdoor
Warranty	2 Years	
Approvals	cETLus	

PRODUCT CODES

XX: Length in feet; YY: Color temperature

40Ft spools

LESHP - 40 - YY

HIGH POWER LED eStrip

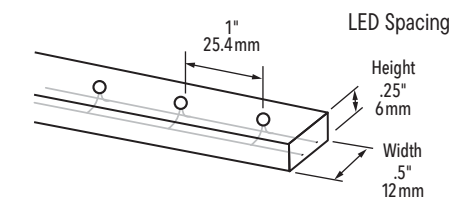
LED Color 3000K 5800K

Custom Cuts

LESHP - XX - YY

HIGH POWER LED eStrip

LED Color 3000K 5800K



ACCESSORIES



LES-001-6BR

Outdoor 6' Power connector for burial connections, 1/4" x 1/2" (6mm x 12mm). Comes with end cap



LES-001-12BR

Outdoor Power connector, with SJTW-2 12 ft wires for burial connections 1/4" x 1/2" (6mm x 12mm) Comes with end cap



LES-STP-2BR

Outdoor 2' Step cord for burial connections



LES-STP-12BR

Outdoor 12' Step cord (shown) for burial connections



LES-FLEX-BR

Outdoor Step cord for burial connections

LES-001-6CL

Indoor 6' Power connector for through wall connections

LES-001-12CL

Indoor 12' Power connector for through wall connections

LES-STP-2CL

Indoor 2' Step cord (shown) for through wall connections

LES-STP-12CL

Indoor 12' Step cord for through wall connections

LES-FLEX-CL

Indoor Step cord (shown) for through wall connections



LES-BFTD

T type connector, 1/4" X 1/2" (6 x 12mm), male connector in bottom



LES-003-2

Cutting end cap, 0.25" X 0.5" (6mm x 12mm)



LMSII-001

Terminal block and junction box for connection to additional lengths of power cable if needed



LES-BFLN

L type connector, 1/4" X 1/2" (6mm x 12mm)



LES-002

In-Line connector set, male and female, 1/4" X 1/2" (6mm x 12mm)



LES-BFXN

X type connector, 1/4" X 1/2" (6mm x 12mm)



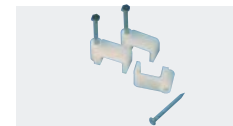
LES-BFDN

6 x 12mm splice kit (pins, pad and shrink tube)



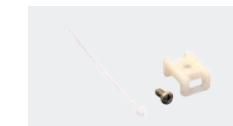
LES-BFTR

T type connector, 1/4" X 1/2" (6 x 12mm), male connector in right or left



LES-005

Wood nail clips, 1/4" X 1/2" (6mm x 12mm)



LES-008

Tie wrap and mounting saddle

INDOOR/OUTDOOR

DIMMABLE DRIVERS

Switchex®
LED DRIVER + DIMMER IN ONE
A dimmer with an integrated driver that converts 120VAC to either 12VDC or 24VDC.

TRE24L40DC

Max 37.5' (11.4m)
6.77" x 2.67" x 1.26" (171 x 68 x 32mm)

TRE24L96DC

Max 90' (27.4m)
6.77" x 2.67" x 1.26" (171 x 68 x 32mm)

NOTE: For outdoor installations, please add E-KO-SR strain relief (2pcs/driver).

LES-010

4' plastic mounting channel, indoor use

LES-010-S

Predrilled with screws

LES-010-T

With double sided tape

NN-C10-POLY

Polycarbonate 1/2" U channel track for outdoor use

CNTRL-0-10V-DIM

0/1-10V Dimming Controller

NON DIMMABLE DRIVERS

LEDDR-24-120W (Indoor/Outdoor driver)

Max 40' (12m) per single tap
Max 54' (16.4m) combined 2 secondary taps
Input: 100 - 240V AC, Output: 24V DC
10" x 3 3/8" x 3 3/16" (254 x 85.7 x 80.9mm)

LES-24-65W

Indoor Plug In Driver
Input: 100-240V AC
Output: 24V DC
4.7" x 2" x 1.3" (119.4 x 50.8 x 33mm)

RGB eStrip

The RGB eStrip, featuring RGB LEDs, enables the creation of dramatic color change effects, suitable for building outlines and architectural highlights.



FEATURES

- 40,000 hours life.
- Safe low voltage (24V).
- Virtually maintenance free.
- Ultra low power consumption.
- Available in 40' spools (custom cuts available).
- Crushproof to 100psi.
- Field cuttable.
- Inter-connectable.
- Highly flexible. (min. bend radius 1.5").
- Indoor/outdoor use.
- Impact resistant.
- Dimmable.
- 2-year limited warranty.

APPLICATIONS

- Building outlines
- Coves
- Stairway and aisle lighting
- Signage
- Backlit panels
- Decks
- Edgelit glow
- Emergency lighting
- Pathway lighting
- Billboards
- Highlighting architectural features
- Over/Under cabinets

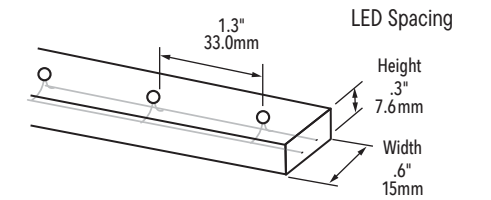
SPECIFICATIONS

Product Code		LES-XX-RGB (XX: Length in feet) Available in 40Ft spools: LES-40-3000K
Electrical	Input Voltage	24V DC
	Power Consumption	2.2W/Ft
Specs	Color Temperature	RGB
	PVC Body Color	Clear
	Min/Max Surface Temp for Mounting	-40°C - 40°C (-40°F - 104°F)
	Dimmable	Yes, via controllers
	Beam Angle	120°
LED	Life Span	40,000 Hours
	Spacing	1.3" (33mm)
	# per foot (304mm)	9
Design	Dimensions (Inches)	.3" x .6"
	Dimensions (Millimeters)	7.6 x 15mm
	Max Single Run Length	40Ft
	Custom Cuttable	8" (198mm)
	Approved Location	Indoor/Outdoor
Warranty	2 Years	
Approvals	cETLus	

PRODUCT CODES — XX: Length in feet

40Ft spools
LES - 40 - RGB

Custom cuts
LES - XX - RGB



ACCESSORIES



LES-BTFN
Female connector



LES-BTMN
Male connector



LES-BTSN
In line connector



LES-BTMCJ-1.5
1.5' Power connector



LES-BTMCJ-6
6' Power connector



LES-BTMC-G4-SI
Signal in connector for RGB eStrip connection to outdoor signal amplifier



LES-BTMC-G4-SO
Signal out connector for RGB eStrip connection to outdoor signal amplifier



LTP-001-OD-6FT
Power feed connector for connection to outdoor signal amplifier



LES-STCN
Cutting end cap



LES-STFN
Female end cap



LES-STPV-T
Clear PVC mounting "U" channel (1M)



LES-SNPT
Wood nail clips, 1/4" X 1/2" (6mm x 12mm)



LES-C-6
Tie wrap



LES-MX-1
Allen key



TCJ-E06
6' (1.8m) Extension cord

TCJ-E30
30' (9.1m) Extension cord 1/4" x

CONTROLLERS



LES-TCJ-EI6-N
LED RGB eStrip 6" Flex Connector



CNTRL-AMP
5-Channel High Performance Amplifier



CNTRL-RGBCCT
3 in 1 LED Strip Controller



CNTRL-4Z-RGBCCT-RM
4-Zone RGB+CCT Remote



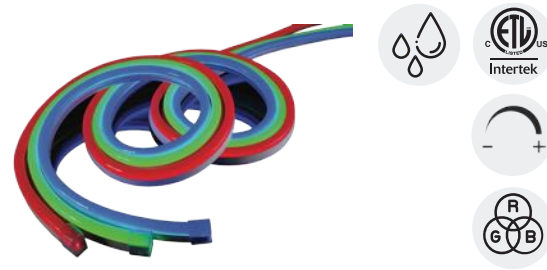
CNTRL-8Z-RGBCCT-WP
8 Zone RGB+CCT Wall Panel Remote

NON DIMMABLE DRIVERS

LEDDR-24-120W (Indoor/Outdoor)
Max 40' (12.1m) per single tap
Max 54' (16.46m) combined 2 secondary taps
Input: 100 - 240V AC
Output: 24V DC
10" x 3 3/8" x 3 3/16" (254 x 85.7 x 80.9mm)

Neon Flex

LED Neon Flex is a flexible lighting solution designed to accentuate architectural and design elements, adding color and vibrancy to building exteriors.



FEATURES

- Virtually maintenance free.
- Low power consumption.
- Safe 24V DC operation.
- cETLus certified.
- Dimmable.
- Inter-connectable.
- Field cuttable (every 4" single color, every 12" RGB).
- Custom cuts available.
- Available in seven brilliant colors, and RGB.
- Indoor/outdoor use.
- 30,000 hour life.
- 3-year limited warranty.

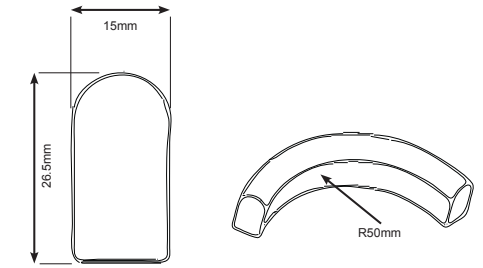
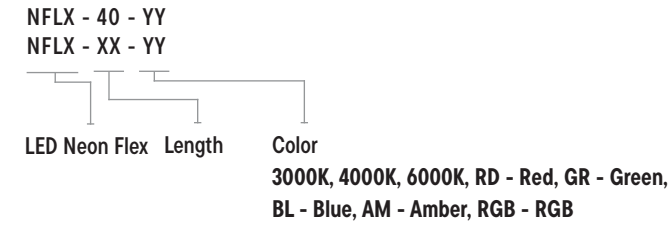
APPLICATIONS

- Building outlines
- Stairway and aisle lighting
- Signs
- Decks
- Pathway lighting
- Billboards
- Highlighting architectural features

SPECIFICATIONS

Product Code		NFLX-XX-YY (XX: Length in feet; YY: Color temperature) Available in 40ft spools: NFLX-40-3000K, NFLX-40-4000K, NFLX-40-6000K, NFLX-40-RD, NFLX-40-GR, NFLX-40-BL, NFLX-40-AM, NFLX-40-RGB For custom cuts, please use: NFLX-XX-3000K, NFLX-XX-4000K, NFLX-XX-6000K, NFLX-XX-RD, NFLX-XX-GR, NFLX-XX-BL, NFLX-XX-AM, NFLX-XX-RGB
Electrical	Input Voltage	24V DC
	Power Consumption	2.44W/ft (8W/m)
Specs	Color Temperature	3000K, 4000K, 6000K, Red, Green, Blue, Amber, RGB
	CRI	80+
	Lumen Output	80Lm/ft (262.48 Lm/m)
	Efficacy	32.7L/w
	PVC Body Color	Clear
	Operating Temperature	-20°C - 40°C
	Dimmable	Yes, via controllers
LED	Life Span	30,000 Hours
	Beam Angle	120°
Design	Dimensions (Inches)	1.04 x 0.6"
	Dimensions (Millimeters)	26.5 x 15mm
	Max Single Run Length	40Ft
	Custom Cuttable	4" Single Color, 12" RGB
	Approved Location	Indoor/Outdoor
Warranty	3 Years	
Approvals	cETLus	

PRODUCT CODES ——— XX: Length in feet; YY: Color temperature



ACCESSORIES (SINGLE COLOR)

NFLX-CONKIT-6FT Power feed connector, 6FT	NFLX-JUMP Jumper connector, 15CM [6in]	NFLX-PINS Single color pins	NFLX-SPLICE In-line splice connector	NFLX-GLUE Silicone Glue
NFLX-T-SPLICE T splice connector	NFLX-ENDS End cap	NFLX-CLIPS Mounting clips	NFLX-CHANNEL Aluminum mounting channel 1M [3.28FT]	CNTRL-0-10V-DIM 0/1-10V Dimming Controller

ACCESSORIES (RGB)

NFLX-RGB-CONTROL RGB controller	NFLX-RGB-AMP RGB signal amplifier	NFLX-RGB-CONKIT-6FT RGB power feed connector, 6FT	NFLX-RGB-CONKIT-6FT-0 RGB power feed connector, 6FT, opposite	NFLX-RGB-JUMP RGB Jumper connector, 15cm (6 Inches)	NFLX-PINS Single color pins	NFLX-ENDS End cap
			CONTROLLERS			
NFLX-CLIPS Mounting clips	NFLX-RGB-CHANNEL Aluminum mounting channel 1M [3.28FT]	NFLX-GLUE Silicone Glue				
			CNTRL-AMP 5-Channel High Performance	CNTRL-RGBCCT 3 in 1 LED Strip Controller	CNTRL-4Z-RGBCCT-RM 4-Zone RGB+CCT Remote	CNTRL-8Z-RGBCCT-WP 8 Zone RGB+CCT Wall Panel Remote

INDOOR/OUTDOOR DIMMABLE DRIVERS

Switchex®
LED DRIVER + DIMMER IN ONE
A dimmer with an integrated driver that converts 120VAC to either 12VDC or 24VDC.

TRE24L40DC
Max 14.5' (4.4m)
Min 8 Watts, 3.3'(1M) LED Neon Flex
6.77" x 2.67" x 1.26" (171 x 68 x 32mm)

TRE24L96DC
Max 40' (12m)
Min 8 Watts, 3.3'(1m) LED Neon Flex
6.77" x 2.67" x 1.26" (171 x 68 x 32mm)

NOTE: For outdoor installations, please add E-KO-SR strain relief (2pcs/driver).

NON DIMMABLE DRIVERS

LEDDR-24-120W (Indoor/Outdoor driver)
Max 40' (12m) per single tap
Max 54' (16.4m) combined 2 secondary taps
Input: 100 - 240V AC, Output: 24V DC
10" x 3 3/8" x 3 3/16" (254 x 85.7 x 80.9mm)

Globe Light

The LED Globe Light, characterized by its marquee-style design, serves as a decorative lighting option equipped to endure extreme weather conditions, offering durability and longevity for both indoor and outdoor use.



FEATURES

- 50,000 hours life.
- Low power consumption.
- Safe class 2, 24V power supply.
- Field cuttable.
- Multiple lamp spacings available.
- Durable construction for indoor and outdoor use.
- 2-year limited warranty.

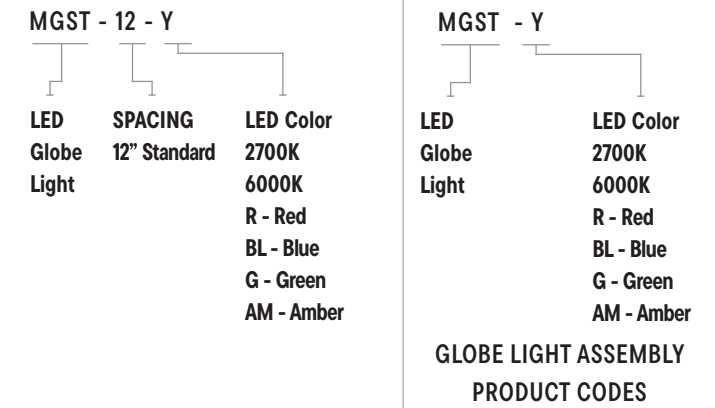
APPLICATIONS

- Building outlines
- String across patios, walk ways, streets and public areas
- Under soffits
- Bridges / Architectural features
- Window decorations

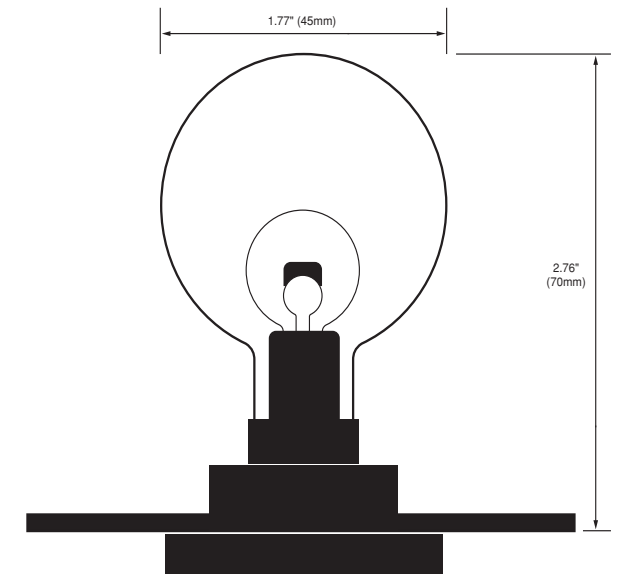
SPECIFICATIONS

Product Code		MGST-12-Y (Y: Color temperature) Globe Light Codes: MGST-12-2700K, MGST-12-6000K, MGST-12-R, MGST-12-BL, MGST-12-G, MGST-12-AM Globe Light Assembly Codes: MGST-2700K, MGST-6000K, MGST-R, MGST-BL, MGST-G, MGST-AM
Electrical	Input Voltage	24V DC
	Power Consumption	.5W/bulb
Specs	Color Temperature	2700/6000K
	CRI	80+
	Lumen Output	50 Lumens/bulb
	LED Colors	2700K, 6000K, Red, Blue, Green, Amber (Upon request)
	Efficacy	100 Lumens per watt
	Wiring	Directly wired to class 2, 24V power supply
	Dimmable	Yes
LED	Cable	PVC black SPT2, 16AWG outdoor rated
	Life Span	50,000 Hours
	Spacing	12"
Design	# per foot (304mm)	1
	Dimensions (Inches)	1.77 x 2.76"
	Dimensions (Millimeters)	45 x 70mm
	Finish	Black
	Max Single Run Length	150' (45.6M) Not to exceed 180 lamps
	Operating Temperature	-25°C to 65°C
	Approved Location	Indoor/Outdoor
Warranty		2 Years
Approvals		cETLus

PRODUCT CODES



OUTDOOR RATED CABLE: ST16W
For attaching Globe Light Lamp Assemblies.



ACCESSORIES



MGNC
Wood nail mounting clip



MGEC
End cap for wire (Bag of 10)



MGWC
Tie wrap for mounting to wire



ST16W
Outdoor rated cable for DIY mounting of LED Globe Light



MGTP
Double sided tape (Bag of 50 pieces)



MGST-XX-LAMP
Replacement lamp (XX: 2700K, 6000K, R (Red), BL (Blue), G (Green), AM (Amber))

INDOOR/OUTDOOR DIMMABLE DRIVERS

TRE24L40DC
Min 8 Watts, 16 Globes
Max number of Globes = 80
40 Watts
6.77" x 2.67" x 1.26" (171 x 68 x 32mm)

TRE24L96DC
Min 8 Watts, 16 Globes
Max number of Globes = 180
96 Watts
6.77" x 2.67" x 1.26" (171 x 68 x 32mm)

NOTE: For outdoor installations, please add E-KO-SR strain relief (2pcs/driver).

NON DIMMABLE DRIVERS

LEDDR-24-120W
Indoor/Outdoor driver
Max number of Globes = 180*
120W hardwire
Input: 100 - 240V AC
Output: 24V DC
120 Watts
10" x 3 3/8" x 3 3/16" (254 x 85.7 x 80.9mm)

* 180 on a single tap or 200 combined two secondary taps.

Wedge Light

The LED Wedge Light is designed as a durable lighting solution for all weather conditions, making it suitable for outlining buildings and various decorative lighting projects. Its robust construction ensures reliable performance in diverse environments.



FEATURES

- 50,000 hours life.
- Low power consumption.
- Safe class 2, 12V power supply.
- Field cuttable.
- Multiple lamp spacings available.
- Durable construction for indoor and outdoor use.
- Optional Red, Blue, Green & Amber LEDs are also available.
- 2-year limited warranty.

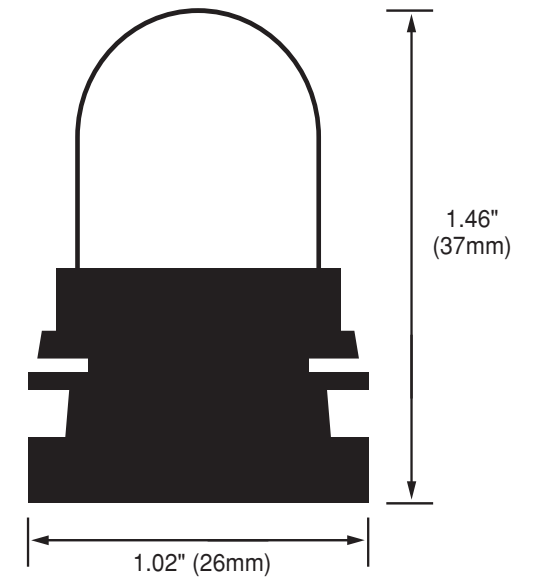
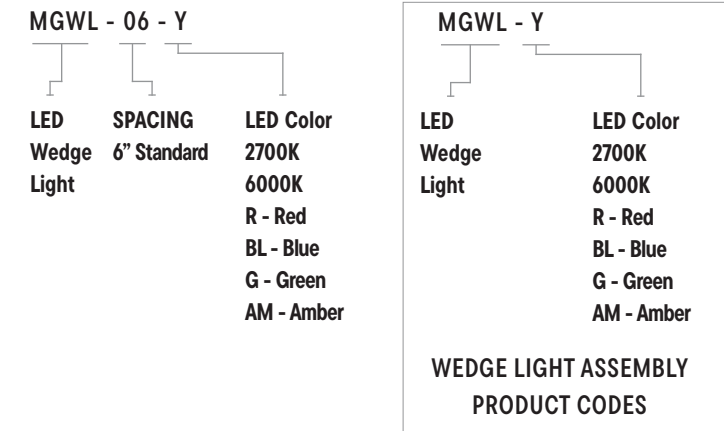
APPLICATIONS

- Building outlines
- Under soffits
- Bridges
- Architectural features / Coves
- Window decorations
- Decks and patios

SPECIFICATIONS

Product Code		MGWL-06-Y (Y: Color temperature) Wedge Light Codes: MGWL-06-2700K, MGWL-06-6000K, MGWL-06-R, MGWL-06-BL, MGWL-06-G, MGWL-06-AM Wedge Light Assembly Codes: MGWL-2700K, MGWL-6000K, MGWL-R, MGWL-BL, MGWL-G, MGWL-AM
Electrical	Input Voltage	12V DC
	Power Consumption	.25W/bulb
Specs	Color Temperature	2700/6000K
	CRI	80+
	Lumen Output	15 Lumens/bulb
	LED Colors	2700K, 6000K, Red, Blue, Green, Amber (Upon request)
	Efficacy	60Lm/w
	Wiring	Directly wired to class 2, 24V power supply
	Dimmable	Yes
LED	Life Span	50,000 Hours
	Spacing	6"
	# per foot (304mm)	2
Design	Dimensions (Inches)	1.02" x 1.46"
	Dimensions (Millimeters)	26 x 37mm
	Finish	Black
	Max Single Run Length	100' (45.6M); Not to exceed 200 lamps
	Operating Temperature	-25°C to 65°C
	Approved Location	Indoor/Outdoor
Warranty	2 Years	
Approvals	cETLus	

PRODUCT CODES



ACCESSORIES



MGWL-XX-LAMP
Replacement lamp (XX: 2700K, 6000K, R (Red), BL (Blue), G (Green), AM (Amber))

INDOOR/OUTDOOR DIMMABLE DRIVERS

TRE12L20DC
Min 8 Watts, 32 Wedges
Max number of Wedges = 80
20 Watts
6.77" x 2.67" x 1.26" (171 x 68 x 32mm)

TRE12L60DC
Min 8 Watts, 32 Wedges
Max number of Wedges = 200
60 Watts
6.77" x 2.67" x 1.26" (171 x 68 x 32mm)

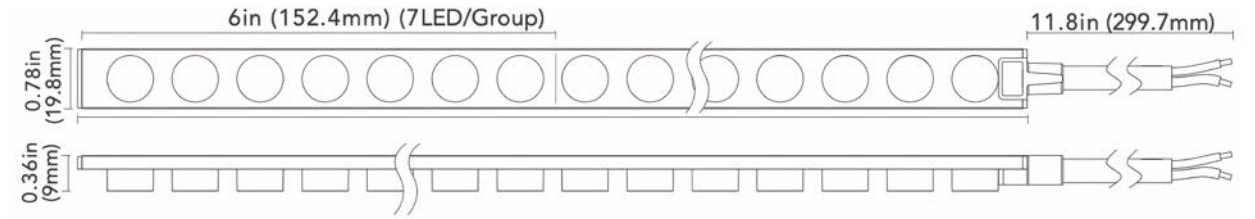
NOTE: For outdoor installations, please add E-KO-SR strain relief (2pcs/driver).

NON DIMMABLE DRIVERS

LEDDR-12-60W
Indoor/Outdoor driver
Max number of Wedges = 200
60W hardwire
Input: 100 - 240V AC
Output: 12V DC
9 11/16" x 2 9/16" x 2 1/16" (246 x 65 x 52mm)

24V Wall Washer

The 24V LED Wall Washer is engineered for illuminating architectural features, signage, and landscapes with its advanced lighting capabilities. It provides a versatile solution for both indoor and outdoor spaces, combining functionality with aesthetic enhancement.



FEATURES

- Safe 24V DC operation (Requires our 24V driver).
- Low power consumption: 5.8W/ft.
- Suitable for indoor and outdoor use.
- Beam angle: 30°.
- Available in 2700K, 3000K, 4000K color temperatures.

- Long life of 30,000 hours.
- Dimmable with dimmable drivers.
- Field cuttable every 6" (Maximum run is 16ft.).
- Sold in 33 Rolls.
- cULus certified for wet locations.
- 3-year limited warranty.

APPLICATIONS

- Architectural lighting
- Signage
- Landscape lighting
- Exterior/interior commercial

SPECIFICATIONS

Product Code		ES-LS2835-27K-42-24-30	ES-LS2835-30K-42-24-30	ES-LS2835-40K-42-24-30
(XX: Length in feet)		Custom cut: ES-LS2835-27K-42-24-30-XX	Custom cut: ES-LS2835-30K-42-24-30-XX	Custom cut: ES-LS2835-40K-42-24-30-XX
Electrical	Input Voltage	24V DC		
	Power Consumption	5.8W/Ft		
Specs	Color Temperature	2700K	3000K	4000K
	Efficacy	100LM/w	105LM/w	110LM/w
	Lumen Output	580Lm/ft (1902Lm/m)	610Lm/ft (2000Lm/m)	640Lm/ft (2098Lm/m)
	CRI	90+		
	Dimmable	Yes		
	Beam Angle	30°		
	IP Rating	IP67		
LED	Type	SMD2835		
	Life Span	30,000 Hours		
	# per foot (304mm)	14		
Design	Dimensions	8mm (5/16") x 15mm (9/16")		
	Max Single Run Length	16Ft		
	Custom Cuttable	Every 6"		
	Approved Location	Indoor/Outdoor		
	Mounting	Ceiling, floor		
Warranty	3 Years			
Approvals	cULus for wet locations			

NOTES:

- The product code represents the LED type (LS2835), color temperature (27K, 30K, 40K), LEDs per meter (42), voltage (24V), and beam angle (30°).
- For field cuttability you will need power supply cap, End cap and potentially jumper cables. All termination points must be glued with our NFLX-GLUE. Please reach out if you have any questions, we would be happy to help.

PRODUCT CODES

ES - LS2835 - 27K - 42 - 24 - 30

ES - LS2835 - 30K - 42 - 24 - 30

ES - LS2835 - 40K - 42 - 24 - 30

ACCESSORIES



NFLX-GLUE
Glue



ES-EC
End Cap



ES-MC
Mounting Clips
(4pcs/bag)



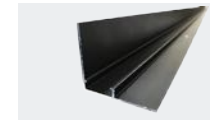
ES-WB
Wall Washer Wall Bracket Set
(2 pieces)



ES-PFC-6FT
Power Feed Connector



ES-JC-6IN 6IN,
ES-JC-12IN 12IN,
ES-JC-3FT 3FT,
ES-JC-6FT 6FT
Jumper Cable



ES-EXT
Aluminum extrusion (8FT),
anodized black, for
ceiling or floor mounting.
For wall mounting, please
see the wall mounting
brackets.



Three wall mounting brackets
available to enhance the wall
washing effect (2 pieces):
ES-MB-2IN 2IN
ES-MB-4IN 4IN
ES-MB-6IN 6IN
Wall Mounting Bracket

INDOOR/OUTDOOR DIMMABLE DRIVERS

TRE24L40DC
6.77" x 2.67" x 1.26" (171 x 68 x 32mm)

TRE24L96DC
6.77" x 2.67" x 1.26" (171 x 68 x 32mm)

NOTE: For outdoor installations, please add E-KO-SR strain relief (2pcs/driver).

NON DIMMABLE DRIVERS

LEDDR-24-120W (Indoor/Outdoor)
120W hardwire
Input: 100 - 240V AC
Output: 24V DC
10" x 3 3/8" x 3 3/16" (254 x 85.7 x 80.9mm)

Wall Washer 4' Enclosed

This a type of lighting fixture designed to evenly distribute light over a wall or vertical surface. Enclosed within a 4-foot-long casing, this wall washer is designed for durability and protection against dust, moisture, and other environmental factors.



FEATURES

- Safe 24V DC operation (Requires our 24V driver).
- Low power consumption: 5.8W/ft.
- Suitable for indoor and outdoor use.
- Beam angle: 30°.
- Long life of 30,000 hours.
- Dimmable with dimmable drivers.
- cULus certified for wet locations.
- 3-year limited warranty.

APPLICATIONS

- Architectural lighting
- Signage
- Landscape lighting
- Exterior/interior commercial

SPECIFICATIONS

Product Code		ES-LS2835-30-WH-24-4FT
Electrical	Input Voltage	24V DC
	Power Consumption	5.8W/Ft
Specs	Color Temperature	3000K
	CRI	90+
	Efficacy	105Lm/w
	Lumen Output	610Lm/ft (2000Lm/m)
	Dimmable	Yes
	Beam Angle	30°
	IP Rating	IP67
LED	Type	SMD2835
	Life Span	30,000 Hours
	Spacing	N/A
	# per foot (304mm)	14
Design	Dimensions (Inches)	5/16" x 9/16"
	Dimensions (Millimeters)	8 x 15mm
	Max Single Run Length	N/A
	Custom Cuttable	N/A
	Approved Location	Indoor
	Mounting	Ceiling, floor
Warranty	6 Years	
Approvals	cULus for wet locations	

NOTE: The product code represents the LED type (LS2835), beam angle (30°), PCB color (WH), voltage (24V), and length (4FT).



PRODUCT CODE

ES - LS2835 - 30 - WH - 24 - 4FT

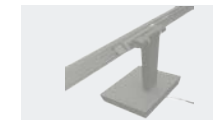
ACCESSORIES



ES-WB
Wall bracket set



ES-ADJ-BR
Adjustable bracket
(Rotatable)



ES-FB-SV
Wall Mount

INDOOR/OUTDOOR DIMMABLE DRIVERS

TRE24L40DC
6.77" x 2.67" x 1.26" (171 x 68 x 32mm)

TRE24L96DC
6.77" x 2.67" x 1.26" (171 x 68 x 32mm)

NON DIMMABLE DRIVERS

LEDDR-24-120W (Indoor/Outdoor)
120W hardwire
Input: 100 - 240V AC
Output: 24V DC
10" x 3 3/8" x 3 3/16" (254 x 85.7 x 80.9mm)

A modern bathroom featuring a long white vanity with a wood-grain cabinet and a large mirror. The vanity is illuminated by warm white under-cabinet lighting. In the background, there is a glass shower enclosure and a white door. The floor is made of light-colored tiles. A white bathtub is visible in the foreground on the right. Two orange circles are overlaid on the image: one large one in the top right containing the text, and a smaller one in the bottom center.

Under Cabinet Lighting

LED Task Star Pro (3CCT)

LTSPRO is constructed with aluminum housing and a matte polycarbonate diffuser. This sleek fixture features edge lit technology which means no hot spots on the polished marble or granite counter top.



FEATURES

- Long lasting 50,000 hours life.
- Comes with High / Low Switch.
- Low power consumption.
- Edge Lit technology eliminates hot spots.
- Fast and easy installation – quick connects, captive mounting holes.
- Comes with cord and plug as well as knockouts for hardwire.
- 3/8" connector provided.
- Shallow profile conceals fixture.
- Linkable up to 400 watts. Each fixture ships with 8" jumper cable and end-to-end connector.
- cETLus listed.
- 5-year limited warranty.

APPLICATIONS

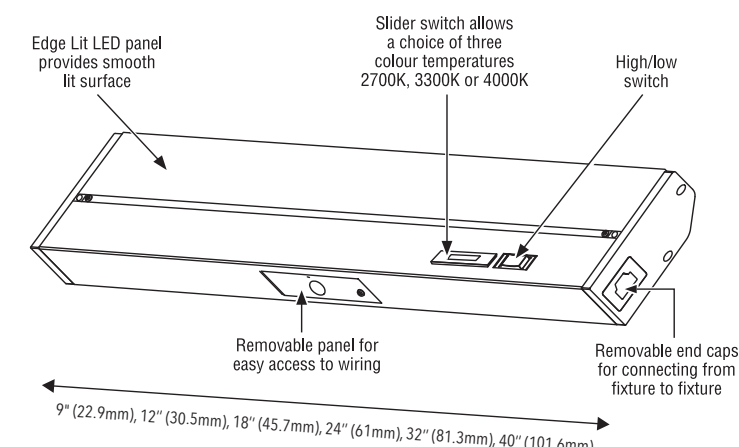
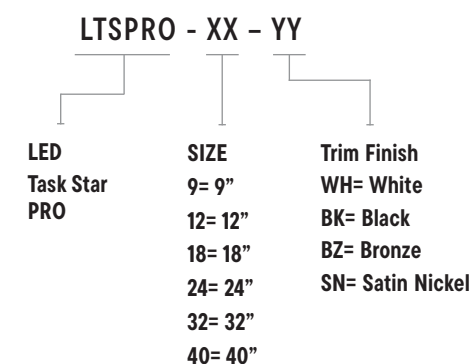
- Under cabinet task light
- Over cabinet accent light
- Display cases and exhibits
- Merchandising
- Indirect accent light
- Wall units and bars

SPECIFICATIONS

		9"	12"	18"	24"	32"	40"
Product Code	LTSPRO-XX-YY	LTSPRO-9-WH	LTSPRO-12-WH	LTSPRO-18-WH	LTSPRO-24-WH	LTSPRO-32-WH	LTSPRO-40-WH
		LTSPRO-9-BK	LTSPRO-12-BK	LTSPRO-18-BK	LTSPRO-24-BK	LTSPRO-32-BK	LTSPRO-40-BK
		LTSPRO-9-BZ	LTSPRO-12-BZ	LTSPRO-18-BZ	LTSPRO-24-BZ	LTSPRO-32-BZ	LTSPRO-40-BZ
		LTSPRO-9-SN	LTSPRO-12-SN	LTSPRO-18-SN	LTSPRO-24-SN	LTSPRO-32-SN	LTSPRO-40-SN
Electrical	Input Voltage	120V AC					
	Power Consumption	3W	5W	8W	12W	16W	20W
Specs	Color Temp	2700/3300/4000K					
	CRI	90+					
	Lumen Output	200Lm	300Lm	450Lm	700Lm	900Lm	1000Lm
	Dimmable	Yes					
LED	Type	Epistar					
	Life Span	50,000 Hours					
Design	Dimensions (Inches)	9 x 3.5 x 1"	12 x 3.5 x 1"	18 x 3.5 x 1"	24 x 3.5 x 1"	32 x 3.5 x 1"	40 x 3.5 x 1"
	Dimensions (MM)	22.9 x 8.9 x 2.5mm	30.5 x 8.9 x 2.5mm	45.7 x 8.9 x 2.5mm	61 x 8.9 x 2.5mm	81.3 x 8.9 x 2.5mm	101.6 x 8.9 x 2.5mm
	Lens	Matte white polycarbonate					
	Body	Extruded Aluminum housing					
	Finish	BK-Black, BZ-Bronze, SN-Satin Nickel, WH-White					
Warranty		5 Years					
Approvals		cETLus					

PRODUCT CODES

DIAGRAM



XX: Length in Inches; YY: Trim Finish

Available in 6 sizes to accommodate different needs

ACCESSORIES



LTSPRO-J-12

12" jumper cable

LTSPRO-J-18

18" jumper cable

LTSPRO-J-24

24" jumper cable

LTSPRO-J-32

32" jumper cable



LTSPRO-PC-72

72" replacement power cord and plug



LTSPRO-JB

Hardwire junction box for LTSPRO fixtures - allows for direct wiring installation, eliminating the visible household wire.

LTSPRO-JB-BK

Add (-BK) at the end of part number for black finish.



RC-01

3/8" Romex connector

LTSPRO-J-12-BK; LTSPRO-J-18-BK;

LTSPRO-J-24-BK; LTSPRO-J-32-BK

Add (-BK) at the end of part number for black finish.

REPLACEMENT PARTS

LTSPRO-SW-BK

CCT Slider Switch Cover, Black

LTSPRO-SW-WH

CCT Slider Switch Cover, White

LED Task Star Pro Swivel Coming Soon!

5CCT LED Task Bar

For those seeking high performance LED under cabinet lighting fixture, the 5CCT LED Task Bar offers customizable lighting, true color representation, energy efficiency, easy installation, versatility, and durability.



FEATURES

- Available in white finish.
- Life: 35,000 Hours.
- Plug and hardwire power cords available (sold separately).
- Easy installation.
- 5 position switch for color temperature adjustment.
- Slim profile.
- Dimmable with TRIAC dimmers.
- Linkable up to 200W using end to end connectors or jumper cords.
- Jumper cords available (sold separately).

APPLICATIONS

- Under cabinet task light
- Over cabinet accent light
- Display cases and exhibits
- Merchandising
- Wall units and bars
- Office work stations

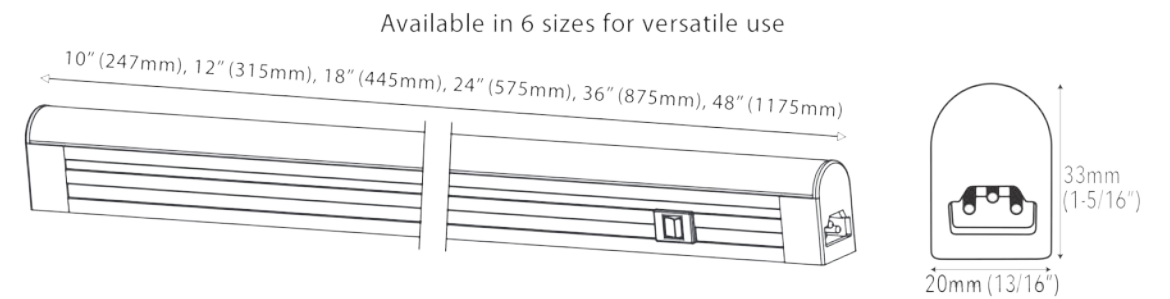
SPECIFICATIONS

		10"	12"	18"	24"	36"	48"
Product code	LEDLB-5CCT-XX	LEDLB-5CCT-10	LEDLB-5CCT-12	LEDLB-5CCT-18	LEDLB-5CCT-24	LEDLB-5CCT-36	LEDLB-5CCT-48
Electrical	Input Voltage	120V AC					
	Power Consumption	3.5W	5W	8W	12W	16W	20W
	Max Wattage per run	200W					
Specs	Color Temperature	2700/3000/3500/4000/5000K					
	CRI	90					
	Lumen Output	290Lm	443-541Lm	652-771Lm	966-1134Lm	1199-1393Lm	1599-1892Lm
	Efficacy (Lm/W)	82.8	98.4	88.75	82.5	81.25	87.5
	Dimmable	Yes, with TRIAC dimmers					
	Beam Angle	110°					
LED	Type	SMD2835					
	Life Span	35,000 Hours					
Design	Dimensions Inches (l;h;w)	9 3/4; 1 5/16; 13/16"	12 3/8; 1 5/16; 13/16"	17 1/2; 1 5/16; 13/16"	22 5/8; 1 5/16; 13/16"	34 7/16; 1 5/16; 13/16"	46 1/4; 1 5/16; 13/16"
	Dimensions mm (l/h/w)	247 / 33 / 20mm	315 / 33 / 20mm	445 / 33 / 20mm	575 / 33 / 20mm	875 / 33 / 20mm	1175 / 33 / 20mm
	Finish Color / trims	White					
	Product Material	Aluminum and acrylic					
	Max Single Run Length	40Ft					
	Custom Cuttable	N/A					
	Operating Temperature	-20°C to 40°C					
	Approved Location	Damp					
	Mounting	Via included brackets					
Warranty	5 years						
Approvals	cETLus for indoor use						

NOTE: Only LEDLB-5CCT-18, LEDLB-5CCT-24, LEDLB-5CCT-36, and LEDLB-5CCT-48 have on/off switch.



DIAGRAM



PRODUCT CODES

LEDLB - 5CCT - XX

SIZE (INCHES)

10, 12, 18, 24, 36, 48

XX: Length in Inches

ACCESSORIES



LEDLB-J-6
6" Jumper Cable

LEDLB-J-12
12" Jumper Cable

LEDLB-J-18
18" Jumper Cable

LEDLB-J-24
24" Jumper Cable

LEDLB-J-32
32" Jumper Cable



LTSPRO-PC-72
72" power cord and plug

LTSPRO-HW-72
72" power cord for hardwire



LTSPRO-JB
Hardwire junction box With ON/OFF switch

Gen II 3-Color Temperature Change LED Task Star



Craft the perfect ambiance with Gen II LED Task Star's color temperature control, easy-to-install features, and a 5-year warranty.

FEATURES

- NEW: 1/2" Knockouts for easy installation.
- 3 position switch for color temperature adjustment (3000K/4000K/5000K).
- Dimmable with most ELV dimmers.
- Captive mounting screws.
- Continuous dimming with a 5%–100% dimming range.
- High-Low switch.
- 5-year limited warranty.
- Available in white, black, bronze and aluminum finish.

APPLICATIONS

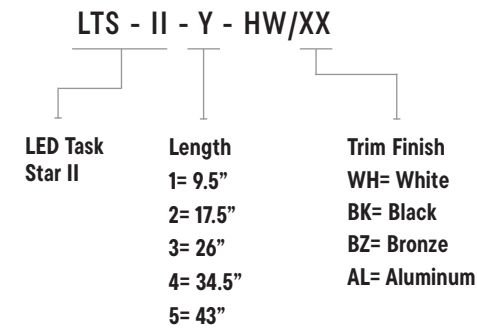
- Under counter
- Display cases
- Cabinet interiors
- Work stations
- Interior decorative lighting

SPECIFICATIONS

		9.5"	17.5"	26"	34.5"	43"
Product code	LTS-II-Y-HW/XX	LTS-II-1-HW/WH	LTS-II-2-HW/WH	LTS-II-3-HW/WH	LTS-II-4-HW/WH	LTS-II-5-HW/WH
		LTS-II-1-HW/BK	LTS-II-2-HW/BK	LTS-II-3-HW/BK	LTS-II-4-HW/BK	LTS-II-5-HW/BK
		LTS-II-1-HW/BZ	LTS-II-2-HW/BZ	LTS-II-3-HW/BZ	LTS-II-4-HW/BZ	LTS-II-5-HW/BZ
		LTS-II-1-HW/AL	LTS-II-2-HW/AL	LTS-II-3-HW/AL	LTS-II-4-HW/AL	LTS-II-5-HW/AL
Electrical	Input Voltage	120V AC				
	Power Consumption	5W	10W	15W	20W	25W
Specs	Color Temp	3000/4000/5000K				
	CRI	90+				
	Lumen Output	310Lm	650Lm	1000Lm	1300Lm	1500Lm
	Dimmable	Most ELV dimmers - continuous dimming with a 5%-10% dimming range				
LED	Type	0.5W Epistar				
	Life Span	50,000 Hours				
Design	Dimensions (Inches)	9.5 x 4.47 x 1.54"	17.5 x 4.47 x 1.54"	26 x 4.47 x 1.54"	34.5 x 4.47 x 1.54"	43 x 4.47 x 1.54"
	Dimensions (Millimeters)	240 x 113.5 x 39mm	443.5 x 113.5 x 39mm	659.2 x 113.5 x 39	874.9 x 113.5 x 39mm	1090 x 113.5 x 39mm
	Lens	Frosted glass				
	Finish	BK-Black, BZ-Bronze, AL-Aluminum, WH-White				
Warranty		5 Years				
Approvals		cETLus				

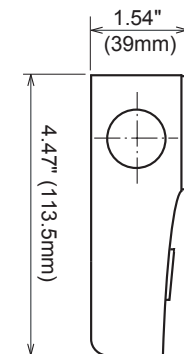
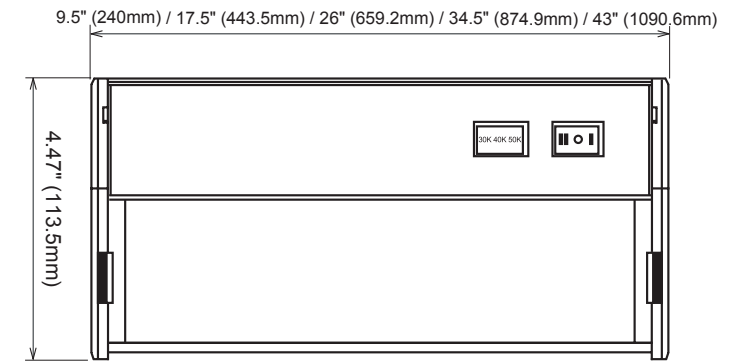


PRODUCT CODES



Y: Length in Inches; XX Trim Finish

DIAGRAM



Gen II LED Hard Strip

Gen II LED Hard Strip is a new and improved energy efficient linkable strip, that provides a smooth, even lighting, eliminating any hot spots. Encased in an aluminum casing, the LED's are cool to the touch and provide 120° beam spread.



FEATURES

- 50,000 hours life.
- Use high brightness 0.5W Epistar LEDs as lighting source.
- Even light distribution with 120° viewing angle.
- Available in 4 sizes.
- Convenient connector between two strips.
- Diffused frosted lens to reduce glare.
- 3-year limited warranty.

APPLICATIONS

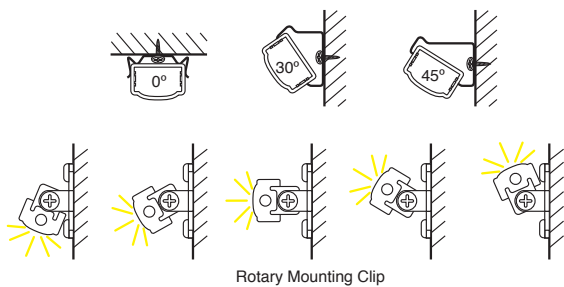
- Under counter
- Display cases
- Cabinet interiors
- Work stations
- Interior decorative lighting

SPECIFICATIONS

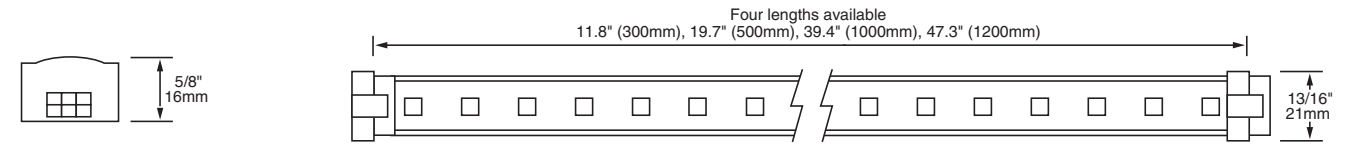
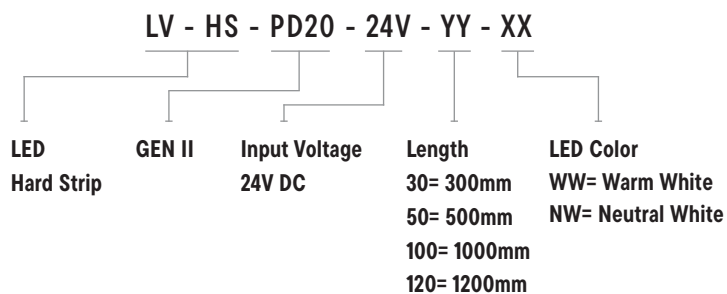
		300mm	500mm	1000mm	1200mm
Product code	LV-HS-PD20-24V-YY-XX	LV-HS-PD20-24V-30-WW	LV-HS-PD20-24V-50-WW	LV-HS-PD20-24V-100-WW	LV-HS-PD20-24V-120-WW
		LV-HS-PD20-24V-30-NW	LV-HS-PD20-24V-50-NW	LV-HS-PD20-24V-100-NW	LV-HS-PD20-24V-120-NW
Electrical	Input Voltage	24V DC			
	Power Consumption	4W	7W	13W	16W
Specs	Color Temp: Neutral White	4200K +/- 200K			
	Color Temp: Warm White	3000K +/- 200K			
	Lumen Output: Neutral White	400	664	1066	1150
	Lumens Output: Warm White	380	621	1036	1100
	Viewing Angle	120°			
LED	Life Span	50,000 Hours			
	Qty. per strip	36	60	132	156
Design	Size	11.8" (300mm)	19.7" (500mm)	39.4" (1000mm)	47.3" (1200mm)
	Product Material	Aluminum			
	Operating Temperature	-35°C to 50°C			
	Mounting	2 pieces of 0° mounting clips and one end cap			
Warranty	3 Years				
Approvals	cETLus for indoor use				

*XX = LED color: WW = 3000K, NW = 4200K | NOTE: Each Hard Strip bar ships with 2pcs of 0° mounting clips and one end cap.

MOUNTING OPTIONS



PRODUCT CODES



ACCESSORIES

<p>LV-HS-PD20-PF1-12 12" Power Feed for LED Hard Strip single color, Bar - DC plug power supply</p>	<p>LV-HS-PD20-PF1-39 39" Power Feed for LED Hard Strip single color, Bar - DC plug power supply</p>	<p>LV-HS-PD20-PF1-HW 39" Power Feed for LED Hard Strip single color, Bar - Hard wire power supply</p>	<p>LV-HS-PD20-PC1-12 12" Power Connector for LED Hard Strip single color, Bar - Bar</p>	<p>LV-HS-PD20-PC1-39 39" Power Connector for LED Hard Strip single color, Bar - Bar</p>
<p>LV-HS-PD20-PC1-3 3" Power Connector for LED Hard Strip Single Color, Bar - Bar</p>	<p>LV-HS-CN-3DC Connector for Hard Strip, with 12" wire lead and 3 DC connectors</p>	<p>LV-HS-EC End Cap for LED Hard Strip</p>	<p>LV-HS-MC0 Mounting clip (2pk)</p>	<p>LV-HS-MC30 Mounting clip 30° (2pk)</p>
<p>LV-HS-MC45 Mounting clip 45° (2pk)</p>	<p>LV-HS-MCTR Rotary Mounting clip (2pk)</p>	<h2>CONTROLLERS</h2> <p>CNTRL-0-10V-DIM 0/1-10V Dimming Driver</p>		

NON DIMMABLE

LEDDR-24-120W
Indoor/Outdoor driver
Max. recommended load 90W per single tap, 120W combined two secondary taps.
120W hardware
Input: 100 - 240V AC
Output: 24V DC
10" x 3 3/8" x 3 3/16" (254 x 85.7 x 80.9mm)

INDOOR/OUTDOOR DIMMABLE DRIVERS

TRE24L40DC
Max recommended load 36W,
min. 8W LED Hard Strip
6.77" x 2.67" x 1.26" (171 x 68 x 32mm)

TRE24L96DC
Max recommended load 90W,
min. 8W LED Hard Strip
6.77" x 2.67" x 1.26" (171 x 68 x 32mm)

Switchex®
LED DRIVER + DIMMER IN ONE
A dimmer with an integrated driver that converts 120VAC to either 12VDC or 24VDC.

LED Edgelit Puck Lights

The Edge Lit Puck Lights are sleek and powerful surface mount lighting fixtures, combining the easy installation with high performance LED's. Featuring strong internal magnets, they can be installed on metal surfaces, without screws or mounting holes.



FEATURES

- 30,000 hours life.
- Edgelit design with smooth light output.
- Safe 24V low voltage operation.
- Operating temperature: -30°C to 40°C.
- Durable die-cast aluminum housing suitable for dry location.
- Strong magnet and stamped steel plate for surface mounting.
- 72 inch pre-installed lead wire.
- 3-year limited warranty.

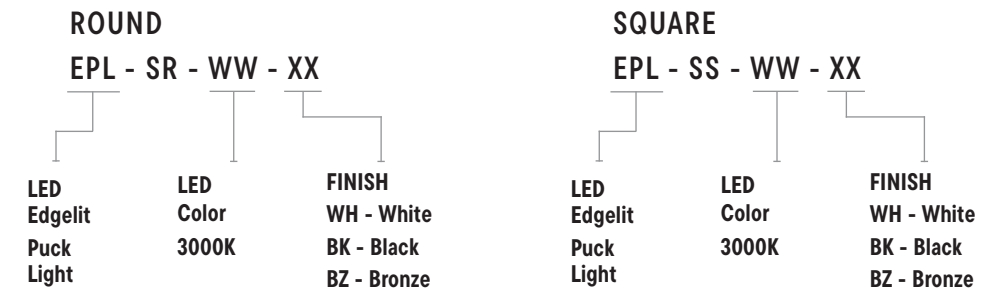
APPLICATIONS

- Under cabinets
- Over cabinets
- Indirect lighting
- Display cases
- Furniture
- Shelf lighting

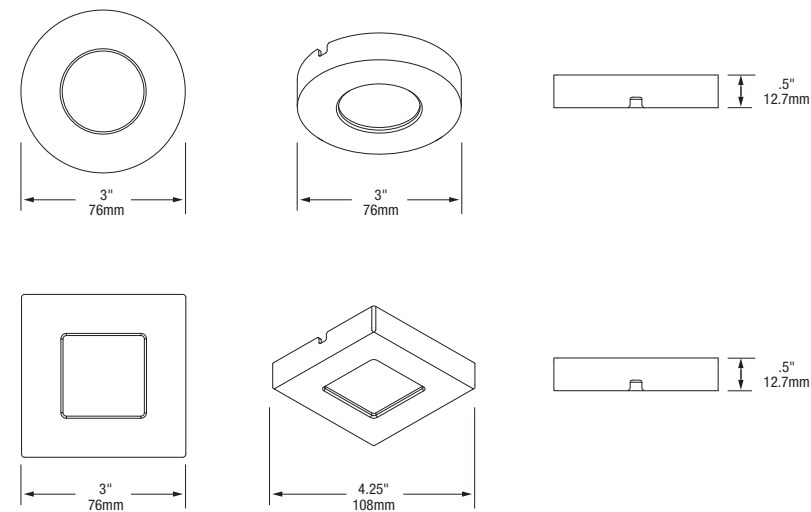
SPECIFICATIONS

		EPL-SR-WW-XX (ROUND)	EPL-SS-WW-XX (SQUARE)
Product Code		EPL-SR-WW-WH	EPL-SS-WW-WH
		EPL-SR-WW-BK	EPL-SS-WW-BK
		EPL-SR-WW-BZ	EPL-SS-WW-BZ
Electrical	Input Voltage	24V DC	
	Power Consumption	4W	
Specs	Color Temperature	3000K	
	CRI	90+	
	Lumen Output	200Lm	
	Efficacy (LM/W)	50	
	Dimmable	Yes	
	Beam Angle	24/36/60° (Replacable)	
LED	Type	5630 SMD LEDs	
	Life Span	30,000 Hours	
Design	Dimensions (Inches)	3 x 0.5"	3 x 0.5"
	Dimensions (Millimeters)	76 x 12.7mm	76 x 12.7mm
	Finish	White, Black, Bronze	
	Material	Die-cast Aluminum	
	Operating Temperature	-20 to 40°C	
	Approved Location	Indoor	
	Mounting	Surface mount	
Warranty	3 Years		
Approvals	cETLus		

PRODUCT CODE



DIAGRAM



ACCESSORIES



LMSII-001
Terminal block and junction box for connection to additional lengths of power cable if needed.

DIMMABLE DRIVERS

- TRE24L40DC**
Max recommended load 36W or 9 Edge Lit Puck Lights, min 8W or 2 Edge Lit Puck Lights 6.77" x 2.67" x 1.26" (171 x 68 x 32mm)
- TRE24L96DC**
Max recommended load 92W or 23 Edge Lit Puck Lights, min 8W or 2 Edge Lit Puck Lights 6.77" x 2.67" x 1.26" (171 x 68 x 32mm)

NON-DIMMABLE DRIVERS

- LEDDR-24-120W**
Indoor/Outdoor driver
Max. recommended load 96W or 24 Edge Lit Puck Lights per single tap, 120W or 30 Edge Lit Puck Lights combined two secondary taps.
120W hardwire
Input: 100 - 240V AC
Output: 24V DC
10" x 3 3/8" x 3 3/16" (254 x 85.7 x 80.9mm)



Landscape Lighting

Uplight (Wattage Adjustable)

Engineered for durability and flexibility, this LED Uplight achieves up to 900 lumens of brightness with adjustable wattage, complemented by a choice of three beam spreads.



FEATURES

- Adjustable wattage control.
- High lumen output.
- Durable die-cast aluminum.
- Versatile beam spread.
- Sleek black finish.
- Wide voltage compatibility.
- Warm light temperature.
- Easy installation design.
- Weather-resistant coating.
- Long-lasting with a 15-year warranty.

APPLICATIONS

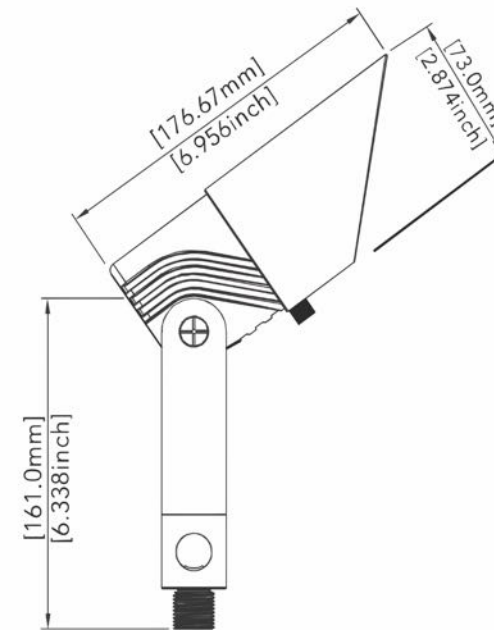
- Garden lighting
- Facade lighting
- Pathway safety
- Security lighting
- Sign lighting
- Patio ambiance



SPECIFICATIONS

Product Code	UP-01-12V-BLK	
Electrical	Input Voltage	9-17V AC/DC
	Power Consumption	0-12W (Adjustable)
Specs	Color Temperature	3000K
	CRI	85
	Lumen Output	900Lm Max.
	Efficacy (Lm/w)	83
	Dimmable	No, but wattage adjustable
	IP Rating	IP65
	Beam Angle	24/36/60° (Replacable)
LED	Life Span	50,000 Hours
Design	Dimensions (Inches)	6.4 x 6.7 x 2.9"
	Dimensions (Millimeters)	161 x 177 x 73mm
	Finish	Black powder coating
	Material	Die-cast aluminum
	Operating Temperature	-20 to 40°C
	Approved Location	Outdoor
	Mounting	Via Stake
Warranty	15 Years	
Approvals	cETLus	

DIAGRAM



NOTE: Comes with a mounting stake to ensure a hassle-free installation.

ACCESSORIES



ACC-3R-BLK
3 Inch Riser Black

- 3 inches long
- 1 Male and 1 Female end
- ½ inch NPSM thread
- Cast brass
- Black Finish



ACC-7R-BLK
7 Inch Riser Black

- 7 inches long
- 1 Male and 1 Female end
- ½ inch NPSM thread
- Cast brass
- Black Finish



ACC-12G-2C-BUR
Landscape burial wire, 12G, 2C - 500ft spool

ACC-12G-2C-BUR-XX
Landscape burial wire, 12G, 2C - custom cuts

NOTE: A transformer is required. See pages 97 to 100 for details.

Uplight (RGB + CCT)

Elevate your ambiance with the RGBW Uplight, capable of shining in a myriad of colors at up to 500 lumens, featuring smart app connectivity for easy adjustments, and built with a robust die-cast aluminum body.



FEATURES

- Adjustable wattage control.
- RGBW (multi color with true whites).
- Tunable CCT (2700K to 6000K).
- Beam Spread 24/36/60 degree.
- Black powder coat finish.
- Made of die-cast aluminum.
- Smart app control.
- WIFI/Bluetooth enabled.
- 9-17V AC/DC compatible.
- Long-lasting, 15 years warranty.

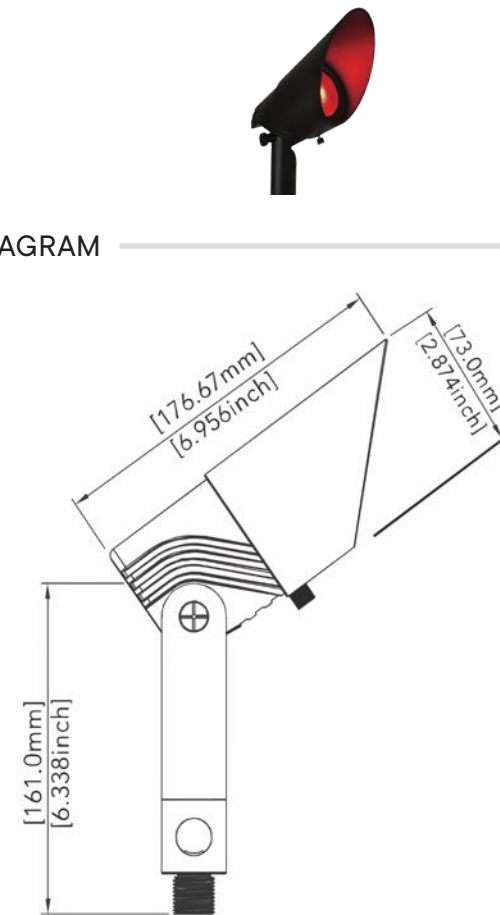
APPLICATIONS

- Accent lighting
- Path illumination
- Garden highlights
- Security lights
- Art spotlights
- Event lighting



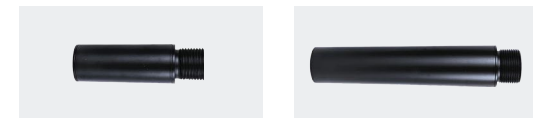
SPECIFICATIONS		
Product Code	UP-02-12V-BLK	
Electrical	Input Voltage	9-17V AC/DC
	Power Consumption	0-8W (Adjustable)
Specs	Color Temperature	RGB and CCT (2700K to 6000K)
	CRI	85
	Lumen Output	500Lm Max.
	Efficacy (Lm/w)	70
	Dimmable	No, but wattage adjustable
	IP Rating	IP65
	Beam Angle	24/36/60° (Replacable)
LED	Life Span	50,000 Hours
Design	Dimensions (Inches)	6.4 x 6.7 x 2.9"
	Dimensions (Millimeters)	161 x 177 x 73mm
	Finish	Black powder coating
	Material	Die-cast aluminum
	Operating Temperature	-20 to 40°C
	Approved Location	Outdoor
	Mounting	Via Stake
Warranty	15 Years	
Approvals	cETLus	

DIAGRAM



NOTE: Comes with a mounting stake to ensure a hassle-free installation.

ACCESSORIES



ACC-3R-BLK

3 Inch Riser Black

- 3 inches long
- 1 Male and 1 Female end
- ½ inch NPSM thread
- Cast brass
- Black Finish

ACC-7R-BLK

7 Inch Riser Black

- 7 inches long
- 1 Male and 1 Female end
- ½ inch NPSM thread
- Cast brass
- Black Finish



ACC-12G-2C-BUR

Landscape burial wire, 12G, 2C - 500ft spool

ACC-12G-2C-BUR-XX

Landscape burial wire, 12G, 2C - custom cuts

NOTE: A transformer is required. See pages 97 to 100 for details.

12V Mini Flood Light

This compact yet powerful 12V Mini Flood light, with a customizable wattage between 1 and 5 watts, provides a luminous output of 80-400 lumens, encased in a durable cast brass housing.



FEATURES

- Adjustable wattage control.
- 80-400 lumen output.
- Integrated 12V LED.
- Cast brass housing.
- 3000K warm light.
- Black or bronze finish.
- Spike mounting option.
- Wide beam angle.
- Long-lasting with a 15-year warranty.
- Smart control compatibility.

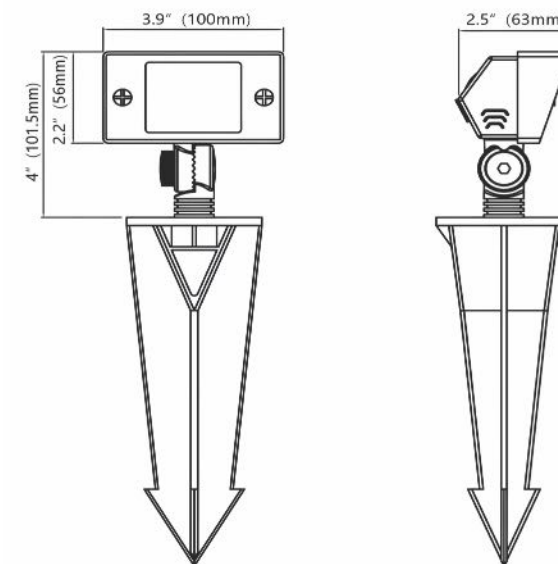
APPLICATIONS

- Path illumination
- Outdoor accents
- Security lighting
- Architectural highlights
- Event ambiance
- Patio glow



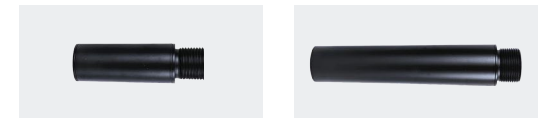
SPECIFICATIONS		
Product Code	FL-01-12V-BLK	
Electrical	Input Voltage	12V AC/DC
	Power Consumption	1-5W
Specs	Color Temperature	3000K
	CRI	85
	Lumen Output	400Lm
	Efficacy (Lm/w)	80
	Dimmable	No, but wattage adjustable
	Beam Angle	120°
LED	Life Span	50,000 Hours
Design	Dimensions (Inches)	4 x 3.9 x 2.5"
	Dimensions (Millimeters)	101.5 x 100 x 63mm
	Finish	Black
	Material	Solid Brass Casting
	Operating Temperature	-20 to 40°C
	Approved Location	Outdoor
	Mounting	Mounts on spike
Warranty	15 Years	
Approvals	cETLus	

DIAGRAM



NOTE: Comes with a mounting stake to ensure a hassle-free installation.

ACCESSORIES



ACC-3R-BLK

3 Inch Riser Black

- 3 inches long
- 1 Male and 1 Female end
- ½ inch NPSM thread
- Cast brass
- Black Finish

ACC-7R-BLK

7 Inch Riser Black

- 7 inches long
- 1 Male and 1 Female end
- ½ inch NPSM thread
- Cast brass
- Black Finish



ACC-12G-2C-BUR

Landscape burial wire, 12G, 2C - 500ft spool

ACC-12G-2C-BUR-XX

Landscape burial wire, 12G, 2C - custom cuts

NOTE: A transformer is required. See pages 97 to 100 for details.

120V Mini Flood Light (CCT)

Achieve perfect outdoor lighting for any occasion with CCT Adjust Mini Flood Lights, featuring adjustable CCTs for versatile illumination. Their compact size and high efficiency make them a smart choice for diverse landscape applications.



FEATURES

- Adjustable CCT (3000K/4000K/5000K).
- Comes with Knuckle mount.
- Easy to install and operate.
- Very wide flood 150° x 120° (7H6V).
- Long lifespan (50,000 hours).
- Instant start, no flicker.
- Wattage options (15W, 30W, 50W).
- Wet location rated.
- Solid 5-year warranty.

APPLICATIONS

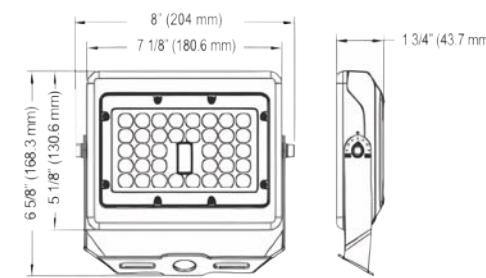
- Facade accenting
- Garden highlights
- Outdoor art display
- Parking areas
- Entryway illumination
- Commercial exteriors

SPECIFICATIONS				
Product Code	FL-15-CT	FL-30-CT	FL-50-CT	
Electrical	Input Voltage	100 -277V AC		
	Power Consumption	15W	30W	50W
Specs	Color Temperature	3000/4000/5000K		
	CRI	80+		
	Lumen Output	3000K: 1725-1950Lm	3000K: 3450-3900Lm	3000K: 5750-6500Lm
		4000K: 2025-2250Lm	4000K: 4050-4500Lm	4000K: 6750-7500Lm
		5000K: 1875-2100Lm	5000K: 3750-4200Lm	5000K: 6250-7000Lm
	Efficacy (Lm/w)	Up to 150		
	Dimmable	No, but wattage adjustable		
Beam Angle	150° x 120° (7H6V)			
LED	Type	SMD3030 (1W)		
	Life Span	50,000 Hours		
Design	Dimensions (Inches)	6 5/8 x 8 x 1 3/4"	6 5/8 x 8 x 1 3/4"	7 5/16 x 9 7/16 x 1 15/16"
	Dimensions (Millimeters)	168.3 x 204 x 43.7 mm	168.3 x 204 x 43.7 mm	201 x 239 x 49 mm
	Finish	Black		
	Material	N/A		
	Operating Temperature	-20 to 50°C		
	Approved Location	Wet		
Mounting	Via Stake			
Warranty	5 Years			
Approvals	cULus listed for wet locations			

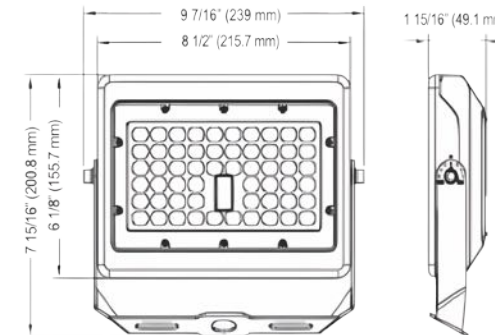


DIAGRAM

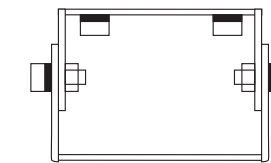
15W and 30W



50W



MOUNTING ACCESSORIES



FL-TR
Trunnion mount bracket
To use for wall and ground mount



FL-Y-15/30/50
Yoke mount bracket
To use for wall and ground mount

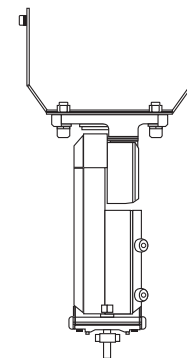


FL-SH-15/30/50
Glare shield



FL-WG-15/30/50
Wire guard

NOTE: A transformer is required. See pages 97 to 100 for details.



Modern Pathway Light

Designed for the modern landscape, this L-shaped Pathway Light offers an adjustable light output of 80-240 lumens and a warm 3000K temperature, creating a welcoming atmosphere for any outdoor setting.



FEATURES

- L-shaped contemporary design.
- Adjustable 1-3W wattage.
- Integrated 9-17V LED.
- Warm 3000K temperature.
- Durable cast aluminum.
- Frosted lens diffusion.
- Easy spike mounting.
- 18/2 wire pigtail.
- Full/half light mode.
- Serviceable LED module.
- Wet location listed.
- Long-lasting with a 15-year warranty.

APPLICATIONS

- Pathway illumination
- Garden lighting
- Outdoor accent
- Entryway paths
- Architectural highlights
- Safety lighting



SPECIFICATIONS		
Product Code	WF-01-12V-BLK	
Electrical	Input Voltage	9-17V AC/DC
	Power Consumption	1-3W
Specs	Color Temperature	3000K
	CRI	85
	Lumen Output	80-240Lm
	Efficacy (Lm/w)	77
	Dimmable	No, but wattage adjustable
	IP Rating	IP65
	Beam Angle	150° (Replacable)
LED	Life Span	50,000 Hours
Design	Dimensions (Inches)	21 1/4 x 6 1/8 x 7/8"
	Dimensions (Millimeters)	540.2 x 154 x 22mm
	Finish	Black
	Material	Aluminum
	Operating Temperature	-40 to 40°C
	Approved Location	Outdoor
	Mounting	Via Stake
Warranty	15 Years	
Approvals	cETLus	

DIAGRAM



NOTE: Comes with a mounting stake to ensure a hassle-free installation.

ACCESSORIES



ACC-12G-2C-BUR

Landscape burial wire, 12G, 2C - 500ft spool

ACC-12G-2C-BUR-XX

Landscape burial wire, 12G, 2C - custom cuts

NOTE: A transformer is required. See pages 97 to 100 for details.

Round Tea-Hat Pathway Light

The Round Tea-Hat Light redefines pathway illumination with its unique round hat design, offering an energy-efficient solution to brighten outdoor settings, backed by a durable construction.



FEATURES

- Wattage adjustable.
- Broad lumen range.
- Low-voltage efficiency.
- Warm color temperature.
- Durable cast aluminum construction.
- Hassle-free installation.
- Spike-mounted for stability.
- Sleek black finish.
- Easy-connect 18/2 wire pigtail.
- Long-lasting with a 15-year warranty.

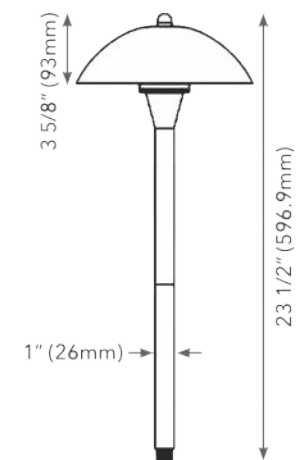
APPLICATIONS

- Pathway lighting
- Landscape accent
- Garden paths
- Entrance lighting
- Recreational areas



SPECIFICATIONS		
Product Code	WF-03-12V-BLK	
Electrical	Input Voltage	9-17V AC/DC
	Power Consumption	1-3W
Specs	Color Temperature	3000K
	CRI	85
	Lumen Output	80-240Lm
	Efficacy (Lm/w)	80
	Dimmable	No, but wattage adjustable
	IP Rating	IP65
	Beam Angle	150°
LED	Life Span	50,000 Hours
Design	Dimensions (Inches)	23 1/2 x 3 5/8 x 1"
	Dimensions (Millimeters)	597 x 93 x 26mm
	Finish	Black
	Material	Aluminum
	Operating Temperature	-40 to 40°C
	Approved Location	Outdoor
	Mounting	Via Stake
Warranty	15 Years	
Approvals	cETLus	

DIAGRAM



NOTE: Comes with a mounting stake to ensure a hassle-free installation.

ACCESSORIES



ACC-12G-2C-BUR
Landscape burial wire, 12G, 2C - 500ft spool

ACC-12G-2C-BUR-XX
Landscape burial wire, 12G, 2C - custom cuts

NOTE: A transformer is required. See pages 97 to 100 for details.

Heavy Duty Classic Pathway Light

Upgrade outdoor spaces with the Classic Top Pathway Light, blending traditional aesthetics with energy-saving LED in a durable brass fixture.



FEATURES

- Heavy cast brass construction.
- Integrated 3000K LED chip.
- 12V energy-saving operation.
- Spike mounting simplicity.
- Reliable 18/2 wire connection.
- Classic design, modern technology.
- Easy integration into landscapes.
- Weather-resistant for outdoor use.
- Long-lasting with a 15-year warranty.

APPLICATIONS

- Pathway lighting
- Garden enhancement
- Architectural accents
- Decorative outdoor
- Entrance highlighting
- Driveway borders



SPECIFICATIONS		
Product Code	WF-04-12V-BLK	
Electrical	Input Voltage	12V AC/DC
	Power Consumption	5W
Specs	Color Temperature	3000K
	CRI	85
	Lumen Output	400Lm
	Efficacy (Lm/w)	80
	Dimmable	No, but wattage adjustable
	IP Rating	IP65
	Beam Angle	150°
LED	Life Span	50,000 Hours
Design	Dimensions (Inches)	14.96 x 6.6"
	Dimensions (Millimeters)	380 x 168mm
	Finish	Black
	Material	Die-cast brass
	Operating Temperature	-20 to 40°C
	Approved Location	Outdoor
	Mounting	Via Stake
Warranty	15 Years	
Approvals	cETLus	

DIAGRAM



NOTE: Comes with a mounting stake to ensure a hassle-free installation.

ACCESSORIES



ACC-12G-2C-BUR

Landscape burial wire, 12G, 2C - 500ft spool

ACC-12G-2C-BUR-XX

Landscape burial wire, 12G, 2C - custom cuts

NOTE: A transformer is required. See pages 97 to 100 for details.

Commercial Bollards

Engineered for outdoor resilience, bollard lights provide efficient, low-glare lighting, perfect for enhancing visibility and ambiance in landscape areas.



FEATURES

- 3 base heights and 2 head options.
- Input voltage range: 120-347V AC.
- High efficiency: >92% power efficiency.
- Dimmable: 0-10V dimming.
- Surge protection: 4KV/6KV.
- Tunable CCT: 3000/4000/5000K.
- Wide beam angle: 110°x105°.
- Durable build: IP65 rating, die-cast aluminum housing.
- Long lifespan: >50,000 hours.
- Certifications: ETL/DLC 5.1 premium.
- Warranty: 5 years.

APPLICATIONS

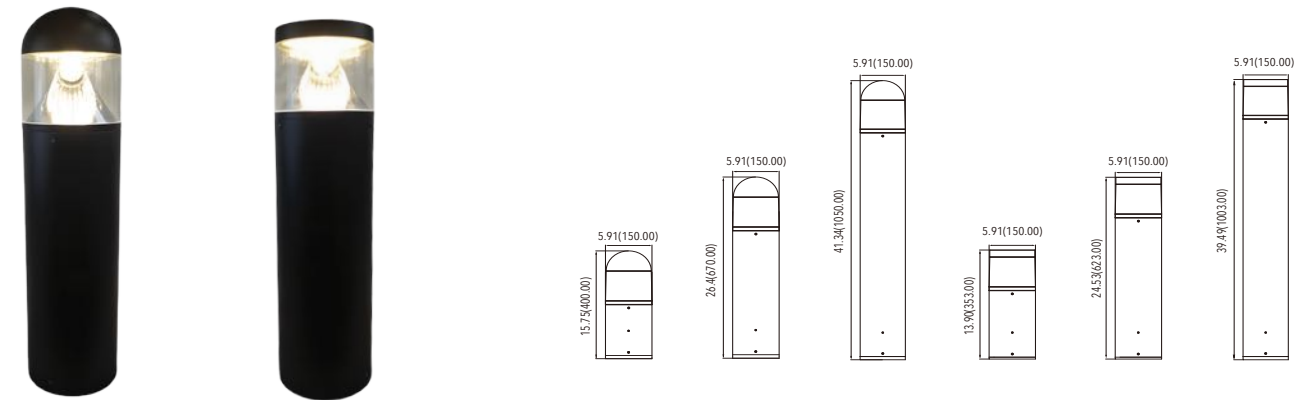
- Pathways and walkways
- Gardens and flower beds
- Driveways and entrances
- Outdoor seating areas
- Pool decks and water features
- Perimeter and boundary lighting

SPECIFICATIONS				
Product Code	Head	WF-CB-MV-H-RMW (Round)		WF-CB-MV-H-FMW (Flat)
	Body	WF-CB-MV-BD1050	WF-CB-MV-BD670	WF-CB-MV-BD400
Electrical	Input Voltage	120-347V AC		
	Power Consumption	25/20/15/8W		
Specs	Color Temperature	3000/4000/5000K (TUNABLE)		
	CRI	70+		
	Lumen Output	3,125/2,500/1,875/1,000Lm		
	Efficacy (Lm/w)	125		
	Dimmable	0-10V		
	Beam Angle	110° x 105°		
LED	Type	3030		
	Life Span	>50,000 Hours		
Design	Dimensions (Inches)	R: H= 41.34" F: H = 39.49"	R: H= 26.4" F: H = 24.53"	R: H= 15.75" F: H = 13.90"
		W= 5.91"		
	Dimensions (Millimeters)	R: H= 1050mm F: H = 1003mm	R: H= 670mm F: H = 623mm	R: H= 400mm F: H = 353mm
		W= 150mm		
	Finish	Black		
	Material	Die-cast Aluminum		
Operating Temperature	-40°F to 104°F (-40°C to 40°C)			
Approved Location	Outdoor			
Mounting	Via base, refer to instructions for details			
Warranty	5 Years			

NOTE: Fixture Head (Round or Flat) and Body are to be ordered separately.



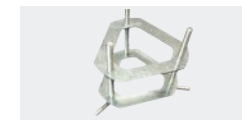
DIAGRAM



ACCESSORIES



WF-CB-SP
Surge Protector



WF-CB-MT
Anchor Bolt Carrier

NOTE: A transformer is required. See pages 97 to 100 for details.

Surface Mount Deck/Riser Light



Create a welcoming atmosphere on decks and pathways with a light that adjusts to your preferences; easy installation for immediate impact.

FEATURES

- Adjustable wattage from 1W to 3W with a dip switch.
- 70° beam spread.
- 85 CRI.
- Warm glow (3000K).
- Sleek black finish.
- Quick setup with 18/2 wire pigtail.
- Cast aluminum housing.
- Wet location listed.
- Long-lasting with a 15-year warranty.

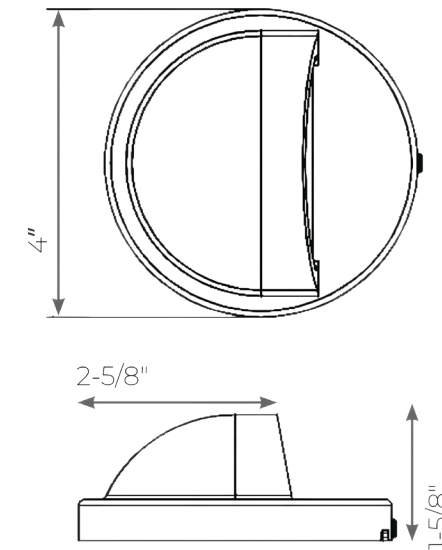
APPLICATIONS

- Pathway illumination
- Deck lighting
- Step safety
- Garden ambiance
- Entrance highlighting
- Fence lighting

SPECIFICATIONS		
Product Code	WF-02-12V-BLK	
Electrical	Input Voltage	12/24V AC/DC
	Power Consumption	1-3W (Adjustable)
Specs	Color Temperature	3000K
	CRI	85
	Lumen Output	60-180Lm
	Efficacy (Lm/w)	60
	Dimmable	No, but wattage adjustable
	IP Rating	IP65
	Beam Angle	70°
LED	Life Span	50,000 Hours
Design	Dimensions (Inches)	4 x 2 5/8"
	Dimensions (Millimeters)	101.6 x 66.67mm
	Finish	Black
	Material	Aluminum
	Operating Temperature	-40 to 40°C
	Approved Location	Outdoor
	Mounting	Via screws to wall
Warranty	15 Years	
Approvals	cETLus	



DIAGRAM



ACCESSORIES



ACC-12G-2C-BUR

Landscape burial wire, 12G, 2C - 500ft spool

ACC-12G-2C-BUR-XX

Landscape burial wire, 12G, 2C - custom cuts

NOTE: A transformer is required. See pages 97 to 100 for details.

Outdoor Wall Sconce

A contemporary style wall sconce suitable for interior and exterior use. Available in three finishes and three interchangeable covers to suit a variety of applications,



FEATURES

- Housing: Rugged aluminum construction.
- 120V - 277V AC input voltage.
- High lumen output of 1300Lm.
- CRI 80+.
- LED life: 50,000 hours.
- Powder coated finish.
- 120° beam angle.
- ADA compliant.
- Finishes: Brown, Black and Silver.
- Three interchangeable covers: Wave, Wing and Scoop.

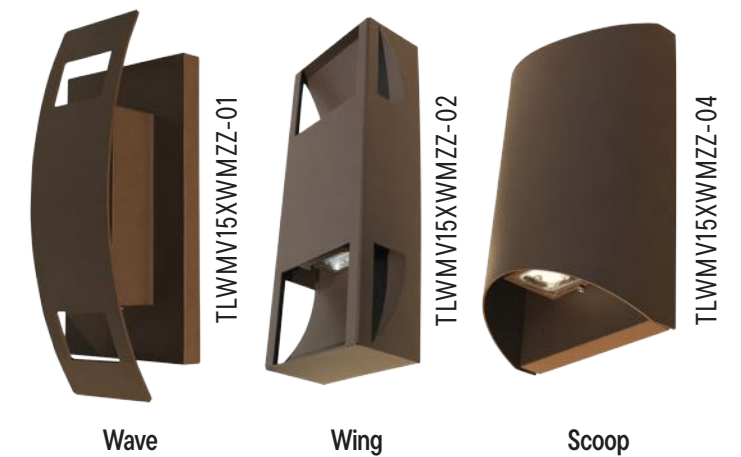
APPLICATIONS

- Exterior residential & commercial
- Entrance ways
- Hallway lighting
- Patio & deck Lights
- Hotel hallways & restaurants
- Stairways & lobbies

SPECIFICATIONS	
Product Code	TLWMV15XWMZZ (X: Color Temperature; ZZ: Finish)
	3000K Fixtures: TLWMV153WMBR (Brown Finish); TLWMV153WMBK (Black Finish); TLWMV153WMSV (Silver Finish) 4000K Fixtures: TLWMV154WMBR (Brown Finish); TLWMV154WMBK (Black Finish); TLWMV154WMSV (Silver Finish)
	Covers [Sold Separately]: TLWMV15XWMZZ-01(Wave); TLWMV15XWMZZ-02 (Wing); TLWMV15XWMZZ-04 (Scoop)
Electrical	Input Voltage: 120V - 277V AC
	Power Consumption: 15W
Specs	Color Temperature: 3000/4000K
	CRI: 80+
	Lumen Output: 1300Lm
	Efficacy (Lm/w): 60
	Dimmable: No
	Beam Angle: 120°
LED	Type: LUMILED 3030
	Life Span: >50,000 Hours
Design	Dimensions (Inches): 8 x 4 3/8 x 2 1/8"
	Dimensions (Millimeters): 203 x 111 x 54mm
	Finish: Powder coated finish
	Material: Aluminum
	Operating Temperature: -20 to +40°C
	Approved Location: Outdoor
	Mounting: Wall
Warranty: 5 Years	
Approvals: cULus listed for wet locations	



3 COVER OPTIONS (Sold separately)



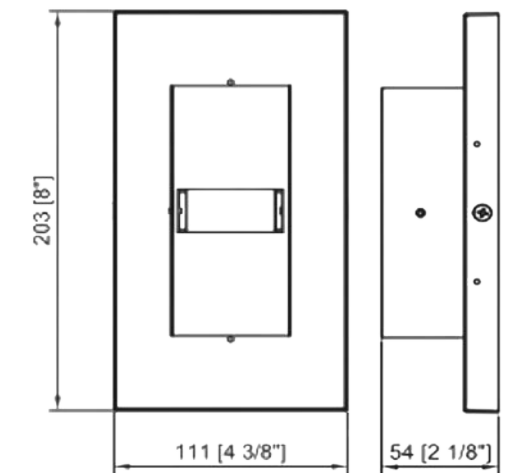
PRODUCT CODES

DIAGRAM

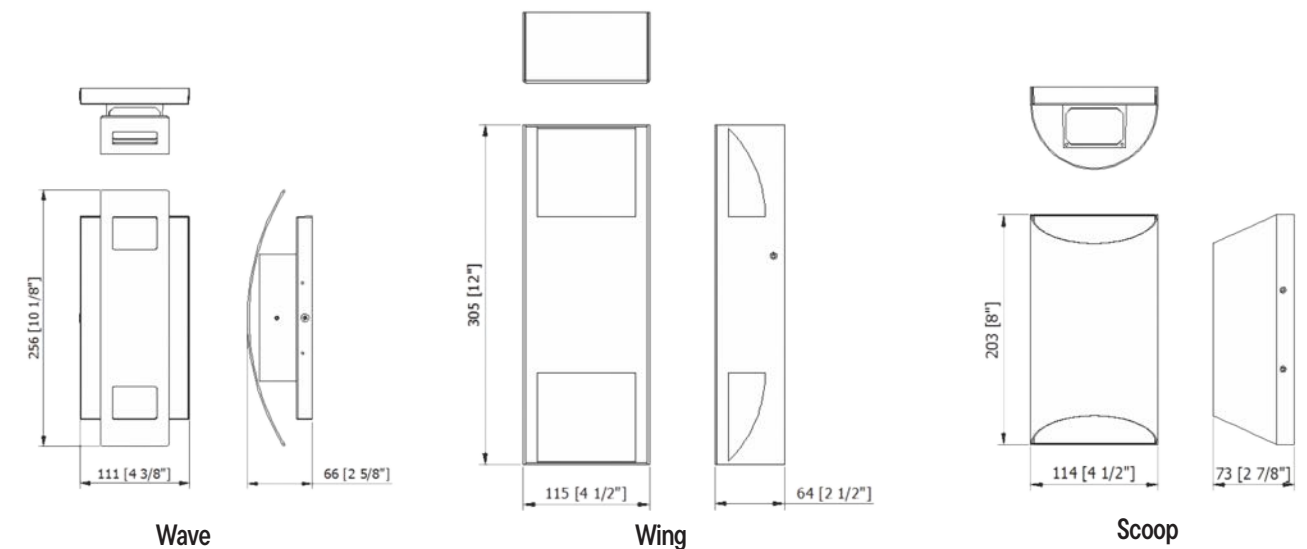
TLWMV15XWMZZ

LED Outdoor Sconce	Color of LED 3 - 3000K 4 - 4000K	FINISH BR - Brown BK - Black SV - Silver
--------------------	--	---

X: Color Temperature; ZZ: Finish



DIAGRAMS (COVERS)



Brick Star (Gen II)

LED Brick Star enhances stairs, aisles, and paths with attractive, cost-effective lighting, designed to fit standard brick sizes for easy integration and optimal performances,



FEATURES

- Long-lasting 40,000-hour LED.
- Ultra-low energy use: 5.2 watts.
- Lens: Frosted tempered glass .
- Standard 120VAC input.
- Supports up to 150 units on a 120V AC circuit.
- Durable die-cast aluminum build.
- Available in fluorocarbon can with stainless steel louvre cover.
- Standard brick size fit.
- Compatible with TRIAC dimmers.
- Backed by a 3-year warranty.

APPLICATIONS

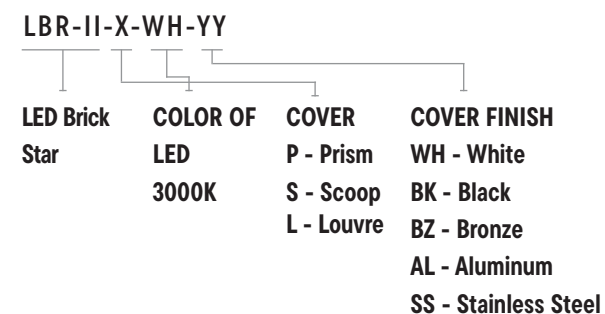
- Brick walls
- Exterior steps
- Interior steps
- Aisles
- Halls
- Paths
- Patio lighting
- Entry lighting
- Ceilings
- Showers

SPECIFICATIONS

LBR-II-X-WH-YY (X: Cover Type; YY: Cover Finish)	
Product Code	Prism Cover + White Finish: LBR-II-P-WH-WH Scoop Cover + White Finish: LBR-II-S-WH-WH Louvre Cover + White Finish: LBR-II-L-WH-WH
	Prism Cover + Black Finish: LBR-II-P-WH-BK Scoop Cover + Black Finish: LBR-II-S-WH-BK Louvre Cover + Black Finish: LBR-II-L-WH-BK
	Prism Cover + Bronze Finish: LBR-II-P-WH-BZ Scoop Cover + Bronze Finish: LBR-II-S-WH-BZ Louvre Cover + Bronze Finish: LBR-II-L-WH-BZ
	Prism Cover + Aluminum Finish: LBR-II-P-WH-AL Scoop Cover + Aluminum Finish: LBR-II-S-WH-AL Louvre Cover + Aluminum Finish: LBR-II-L-WH-AL Louvre Cover + Stainless Steel Finish: LBR-II-L-WH-SS
Electrical	Input Voltage 120V AC
	Power Consumption 5.2W
Specs	Color Temperature 3000K
	CRI 80+
	Lumen Output 468Lm
	Efficacy (Lm/w) 90
	Dimmable Yes, with TRIAC dimming systems
LED	Life Span >40,000 Hours
	Dimensions (Inches) 3 x 9"
Design	Dimensions (Millimeters) 76.2 x 226.6mm
	Can Finish Powder Coated White or Fluorocarbon Lacquer (Stainless Steel)
	Cover Finish White, Black, Bronze, Aluminum or Stainless Steel finish only available in Louvre cover
	Lens Frosted tempered glass
	Max Single Run Length Can be daisy chained up to 150 fixtures per 15A circuit
	Approved Location Wet and IC locations, concrete pour, shower
	Mounting Wall, ceiling
	Warranty 3 Years
Approvals cETLus listed for wall, ceiling, wet and IC locations	



PRODUCT CODES



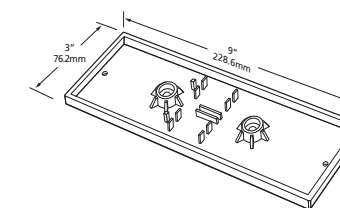
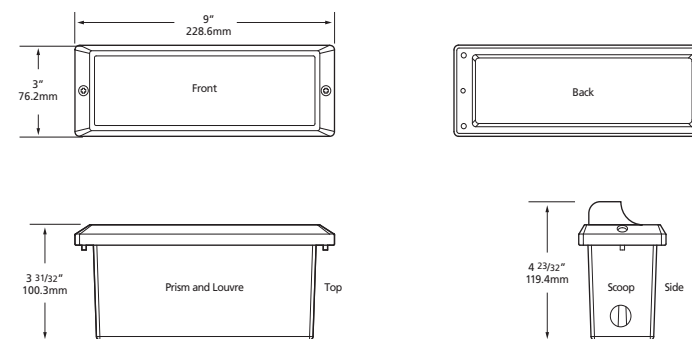
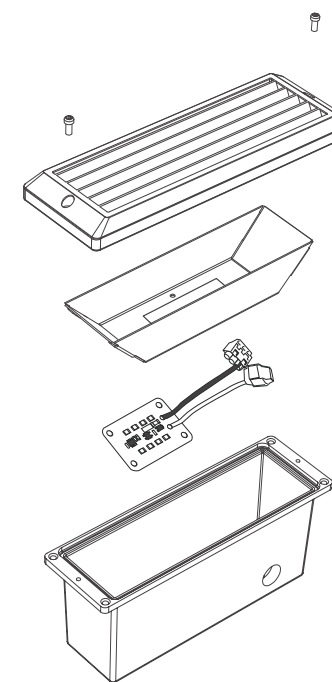
X: Cover Type; YY: Cover Finish

REPLACEMENT KIT CONCRETE CAP

LBR-II-KIT BL-CC

- NOTE: Stainless Steel finish available in Louvre cover only.
- Concrete cap for concrete pour installations.
- NOTE: For outdoor installations, a 1/2" liquid tight strain relief is recommended.

DIAGRAM



Concrete Cap (for concrete pour installations)

- Product Code: **BL-CC**
- IMPORTANT: It is recommended that you use Magic Lite / NSL's Concrete Cap for concrete pour installations. These caps assist in providing a proper reveal for flush mount of fixture cover after concrete is dry.

NOTE: When installing LED Brick Star in harsh environments (such as limestone, salted areas, coastal environments, etc.) please use the stainless steel version to avoid the risk of corrosion to the body of the fixture.

Step Star (Gen II)

LED Step Star offers durable, energy-efficient lighting for stairs and pathways, suitable for both indoor and outdoor use, with a robust cast aluminum build ideal for concrete installations.



FEATURES

- 40,000-hour LED lifespan.
- Ultra-low energy use: 5.2 watts.
- Color accuracy with CRI 80+.
- Lens: Frosted tempered glass.
- Supports 120V AC power input.
- Up to 150 units per 120V AC circuit.
- Durable die-cast aluminum enclosure.
- Versatile indoor/outdoor certification (cETLus).
- Compatible with TRIAC dimmers.
- Backed by a 3-year warranty.

APPLICATIONS

- Interior stairs
- Exterior stairs
- Aisles
- Hallways
- Paths
- Public areas
- Emergency lighting
- Theaters
- Patios
- Decks

SPECIFICATIONS

SPECIFICATIONS	
Product Code	LST-II-X-WH-YY (X: Cover Type; YY: Cover Finish)
	Prism Cover + White Finish: LST-II-P-WH-WH Scoop Cover + White Finish: LST-II-S-WH-WH Louvre Cover + White Finish: LST-II-L-WH-WH
	Prism Cover + Black Finish: LST-II-P-WH-BK Scoop Cover + Black Finish: LST-II-S-WH-BK Louvre Cover + Black Finish: LST-II-L-WH-BK
	Prism Cover + Bronze Finish: LST-II-P-WH-BZ Scoop Cover + Bronze Finish: LST-II-S-WH-BZ Louvre Cover + Bronze Finish: LST-II-L-WH-BZ
	Prism Cover + Aluminum Finish: LST-II-P-WH-AL Scoop Cover + Aluminum Finish: LST-II-S-WH-AL Louvre Cover + Aluminum Finish: LST-II-L-WH-AL
Electrical	Input Voltage 120V AC
	Power Consumption 5.2W
Specs	Color Temperature 3000K
	CRI 80+
	Lumen Output 468Lm
	Efficacy (Lm/w) 90
	Dimmable Yes, with TRIAC dimmable systems
LED	Life Span >40,000 Hours
	Dimensions (Inches) 4 5/8 x 7 1/2"
Design	Dimensions (Millimeters) 117.5 x 190.5mm
	Can Finish Powder Coated White
	Cover Finish White, Black, Bronze, and Aluminum
	Lens Can be daisy chained up to 150 fixtures per 15A circuit
	Approved Location Wet and IC locations
	Mounting Wall, ceiling
	Warranty 3 Years
Approvals cETLus listed for wall, ceiling, wet and IC locations	



PRODUCT CODES

LST-II-X-WH-YY

LED	COLOR OF LED	COVER	COVER FINISH
Step Star Gen II	3000K	P - Prism S - Scoop L - Louvre	WH - White BK - Black BZ - Bronze AL - Aluminum

X: Cover Type; YY: Cover Finish

REPLACEMENT KIT

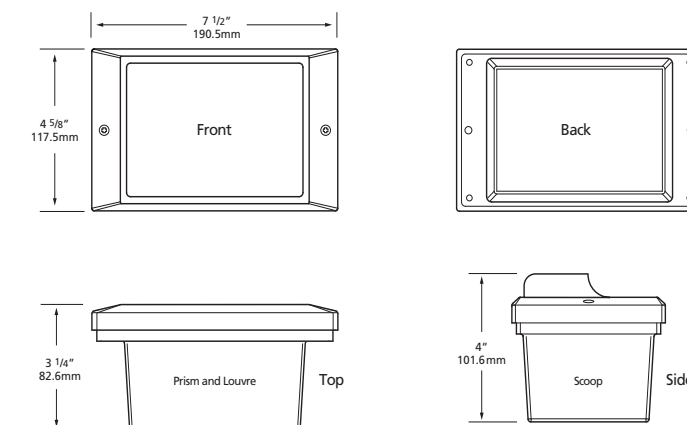
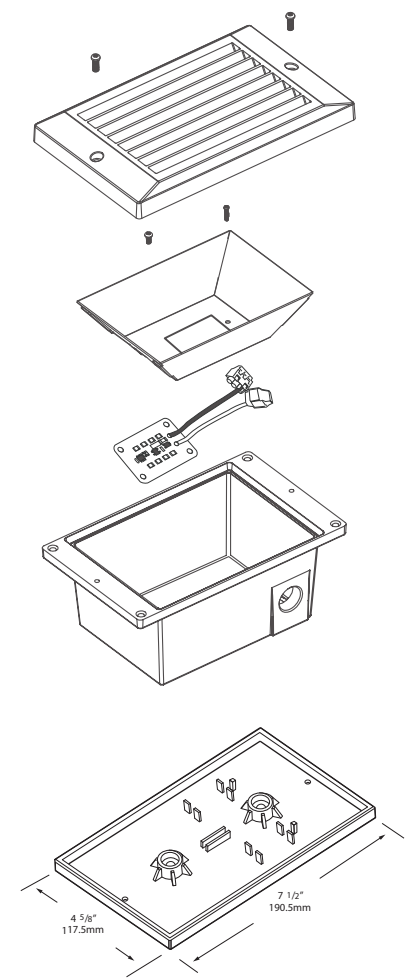
LST-II-KIT

CONCRETE CAP

SL-CC

- Concrete cap for concrete pour installations.
- NOTE: For outdoor installations, a 1/2" liquid tight strain relief is recommended.

DIAGRAM



Concrete Cap (for concrete pour installations)

- Product Code: **SL-CC**
- IMPORTANT: It is recommended that you use Magic Lite / NSL's Concrete Cap for concrete pour installations. These caps assist in providing a proper reveal for flush mount of fixture cover after concrete is dry..

Wiring Options: 120V AC hardwire – can be daisy chained up to 150 fixtures per 15A circuit.

Switch Star

LED Switch Star is ideal for both indoor and outdoor settings, offering an excellent solution for security or exit lighting. This fixture connects directly to 120V without the need for remote drivers, simplifying installation.



FEATURES

- 1.4W power consumption.
- Mounts on 2" x 4" boxes.
- Outdoor/indoor ready.
- Louvre/scoop/prism covers.
- 3 color choices.
- Dimmable functionality.
- 40,000-hour LED lifespan.
- cETLus safety certified.
- Backed by a 3-year warranty.

APPLICATIONS

- Hallways, stairways
- Night light
- Decks, patios
- Garages, elevators
- Commercial/residential exteriors

SPECIFICATIONS

SPECIFICATIONS	
Product Code	LED-SW-X-Y (X: Cover Type; Y: Color)
	Prism Cover + White: LED-SW-P-WH Scoop Cover + White Color: LED-SW-S-WH Louvre Cover + White Color: LED-SW-L-WH
	Prism Cover + Light Almond: LED-SW-P-LA Scoop Cover + Light Almond: LED-SW-S-LA Louvre Cover + Light Almond: LED-SW-L-LA
	Prism Cover + Brown Wood Grain: LED-SW-P-BWG Scoop Cover + Brown Wood Grain: LED-SW-S-BWG Louvre Cover + Brown Wood Grain: LED-SW-L-BWG
	NOTE: Add "-AM" to the part number for Amber LED fixtures. (e.g., Prism Cover + White + Amber: LED-SW-P-WH-AM; Prism Cover + Light Almond + Amber: LED-SW-P-LA-AM)
Electrical	Input Voltage: 120V AC, .012A
	Power Consumption: 1.4W
Specs	Color Temperature: 2700K or Amber
	CRI: 80+
	Lumen Output: 468Lm
	Efficacy (Lm/w): 57
	Dimmable: No
LED	Type: AC LED
	Life Span: 40,000 Hours to 70% Lumen output
Design	Dimensions (Inches): 5.07 x 3.03"
	Dimensions (Millimeters): 129 x 77mm
	Finish: White, Light Almond, Brown Wood Grain
	Material: Polycarbonate (5VA flame rated, F1 UV rated) & Glass
	Operating Temperature: -30°C to 60°C
	Approved Location: Indoor/Outdoor
Warranty	3 Years
Approvals	cETLus listed

PRODUCT CODES

LED-SW-X-Y (X: Cover Type; Y: Cover)

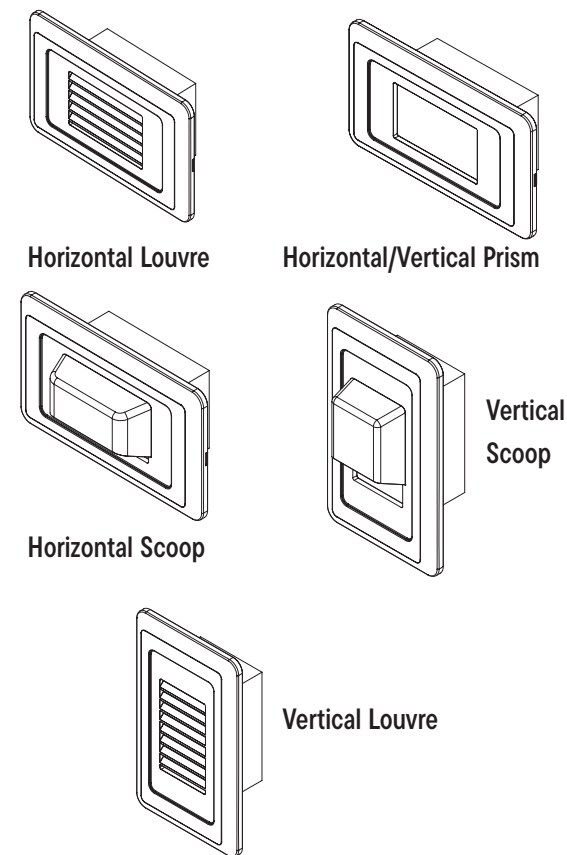
LED Switch Star
 COVER: P - Prism, S - Scoop, L - Louvre
 COLOR: WH - White, LA - Light Almond, BWG - Brown Wood Grain

- Note: Add (-AM) on the part number for Amber LED fixture
- Scoop and Louvre covers are supplied in both horizontal and vertical.

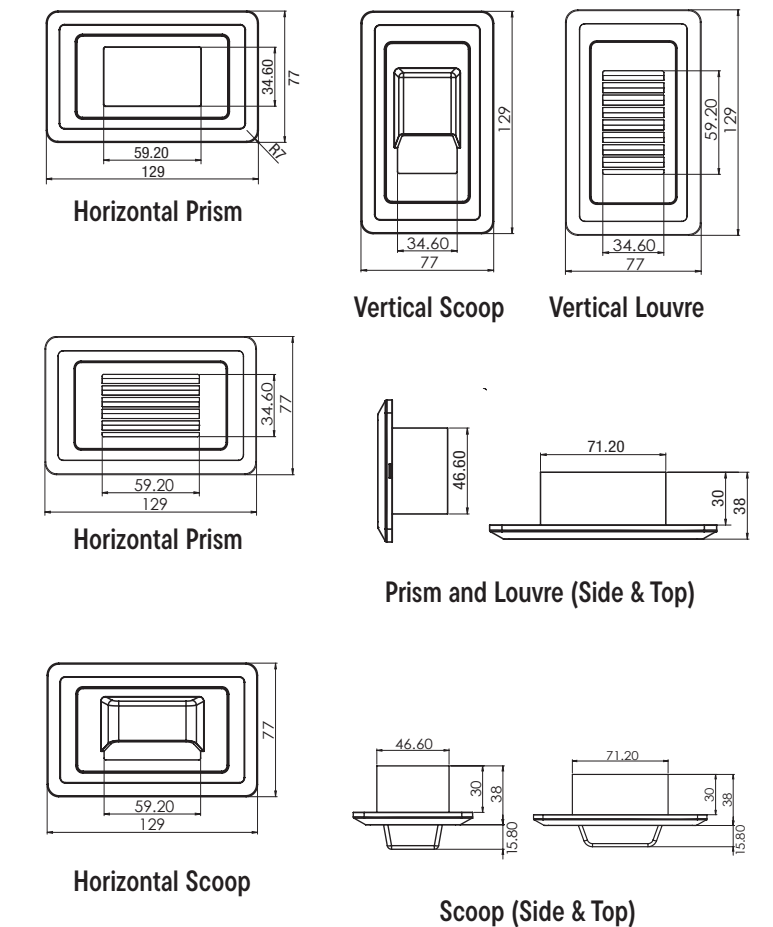
LED-SW-X-Y-COV

LED Switch Star
 COVER: P - Prism, S - Scoop, L - Louvre
 COLOR: WH - White, LA - Light Almond, BWG - Brown Wood Grain
 REPLACEMENT COVER

COVER STYLES



COVER DIMENSIONS



Disc Light

Versatile and robust, the LED Disc Light offers powerful illumination for both public and residential areas, whether indoors or outdoors. Durable and certified for wet conditions, it's great for enhancing decks, driveways, and patios with simple concrete pour setup.



FEATURES

- Fully dimmable with dimmable power supply (sold separately).
- 50,000-Hour LED life.
- Safe 12 volt, Class 2 power supply (not included).
- Up to 30 fixtures per power supply.
- cETLus listed.
- Fits 1.5" diameter hole.
- No UV, no infrared, no radiated heat.
- Backed by a 3-year warranty.

APPLICATIONS

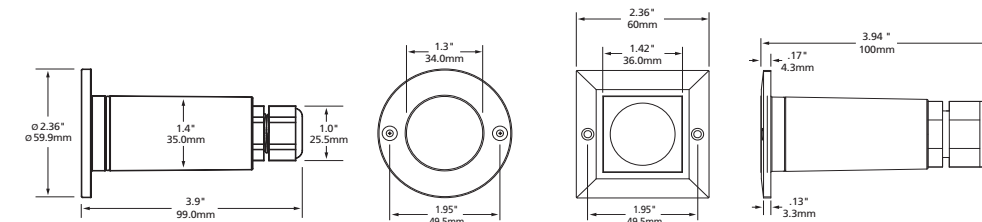
- Steps
- Aisles
- Paths
- Driveways
- Direction lighting
- Information lighting
- Decorative lighting
- Merchandising
- Landscape accents

SPECIFICATIONS

		LEDD-Y-XX (ROUND)	LEDD-Y-XX-SQ (SQUARE)
Product Code		Frosted + 5500K: LEDD-F-WH Clear + 5500K: LEDD-F-WH	Frosted + 5500K: LEDD-F-WH-SQ Clear + 5500K: LEDD-F-WH-SQ
		Frosted + 2700K: LEDD-F-WW Clear + 2700K: LEDD-F-WW	Frosted + 2700K: LEDD-F-WW-SQ Clear + 2700K: LEDD-F-WW-SQ
		Frosted + Amber: LEDD-F-AM Clear + Amber: LEDD-F-AM	Frosted + Amber: LEDD-F-AM-SQ Clear + Amber: LEDD-F-AM-SQ
Electrical	Input Voltage	12V AC	
	Power Consumption	3W	
Specs	Color Temperature	Cool White 98 lumens @ 5500K; Warm White 95 lumens @ 2700K	
	CRI	80+	
	Lumen Output	900Lm Max.	
	Efficacy (Lm/w)	83	
	Dimmable	Yes	
	Beam Angle	120°	
LED	Type	5050	
	Life Span	50,000 Hours	
Design	Dimensions (Inches)	2.36 x 3.9"	2.36 x 3.94"
	Dimensions (Millimeters)	60 x 99mm	60 x 100mm
	Cover Finish	Stainless steel	
	Barrel Finish	Stainless steel	
	Max Single Run Length	18 fixtures	
	Approved Location	Outdoor	
	Mounting	Recessed	
Warranty	3 Years		
Approvals	cETLus listed and labeled for wet, IC, ceiling, wall and direct burial applications		

- Y: Tempered Glass; XX: Color of LED
- NOTE:** When installing Disc Lights in harsh environments (such as limestone, salted areas, coastal environments, etc.) please use the stainless steel version to avoid the risk of corrosion to the body of the fixture.

DIAGRAM



PRODUCT CODES

ROUND

LEDD-Y-XX

LED Disc Light	TEMPERED GLASS	COLOR OF LED
F - Frosted	WH - 5500K	WW - 2700K
C - Clear	AM - Amber	

SQUARE

LEDD-Y-XX-SQ

LED Disc Light	TEMPERED GLASS	COLOR OF LED
F - Frosted	WH - 5500K	WW - 2700K
C - Clear	AM - Amber	

REPLACEMENT LED MODULES

- LEDD-MOD-WH**
LED Disc Light module, 12V, white LED 5500K
- LEDD-MOD-WW**
LED Disc Light module, 12V, warm white LED 2700K

INSTALLATION WIRES

- LW-18G-BUR**
For outdoor burial connections
- LW-18G-CL2**
For indoor through wall connections

NOTE: One of the above wires **MUST** be used in order to maintain product warranty.

ACCESSORIES



LEDD-CF

LED Disc Light concrete form for concrete pour applications. Fits over most 3/4" conduit junction boxes.

LEDD-CF-SQ

LED Disc Light Square concrete form for concrete pour applications. Fits over most 3/4" conduit junction boxes.

DIMMABLE DRIVERS

TRE12L20DC

20 Watts
Max. recommended load 18 W or 6 LED Disc Lights
Min. recommended load 8 W or 3 LED Disc Lights
6.77" x 2.67" x 1.26" (171 x 68 x 32mm)

TRE12L60DC

60 Watts
Max. recommended load 54 W or 18 LED Disc Lights
Min. recommended load 8 W or 3 LED Disc Lights
6.77" x 2.67" x 1.26" (171 x 68 x 32mm)

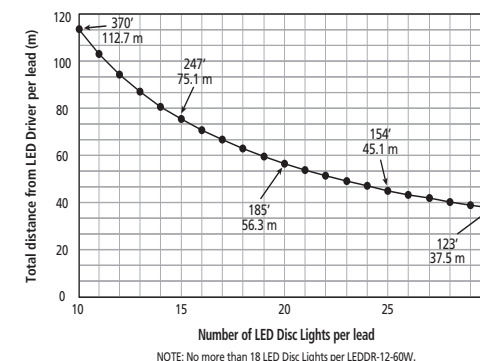
NON DIMMABLE DRIVERS

LEDDR-12-60W (Indoor/Outdoor)

60W hardwire
Input: 100 - 240V AC; Output: 12V DC
Max. 18 LED Disc Lights
9 11/16" x 2 9/16" x 2 1/16" (246 x 65 x 52mm)

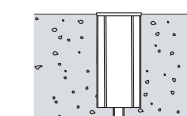
100% LED Light Output Chart

With every foot of lead wire and every light fixture, there is voltage loss. With too much voltage loss all light fixtures will not develop 100% of their potential output. Below is a chart of acceptable voltage loss which will maintain 100% of the potential light output of the LED Disc Light. Simply plot the number of LED Disc Light you wish to place on one lead on the horizontal axis, with the total distance from the LED Driver to the last LED Disc Light on the vertical axis. If the resulting plot is at or below the line shown, you will have acceptable voltage loss and your LED Disc Light will output 100% of their potential.

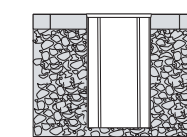


WARNING: LACK OF DRAINAGE WILL VOID THE WARRANTY

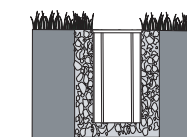
To maintain the warranty, a proper drainage system **MUST** be installed (drainage material or drainage pipe), when the product is installed in soil or concrete.



Concrete Installation

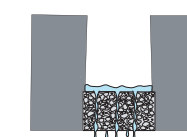


Paving Stones

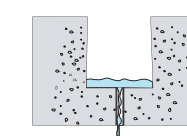


Soil Installation

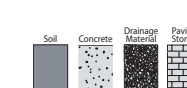
Test drainage prior to installation.
A quantity of water equal to the volume of the mounting hole should drain in 15 minutes or less.



SOFT GROUND



HARD GROUND



Disc Light Dome

Stainless Steel Construction

Durable LED marker light with dimming capability, perfect for indoor and outdoor use. Stainless steel construction ensures longevity in any setting.



FEATURES

- Long life of 50,000 hours.
- Low power consumption 3 watts per fixture.
- Safe 12 volt, Class 2 power supply (not included).
- Up to 30 fixtures per power supply.
- cETLus listed.
- Fits in any 1.5" diameter hole, 4" long.
- Lens: Clear tempered glass.
- Available concrete form for concrete pour applications.
- Dimmable with dimmable power supplies.
- Backed by a 3-year warranty.

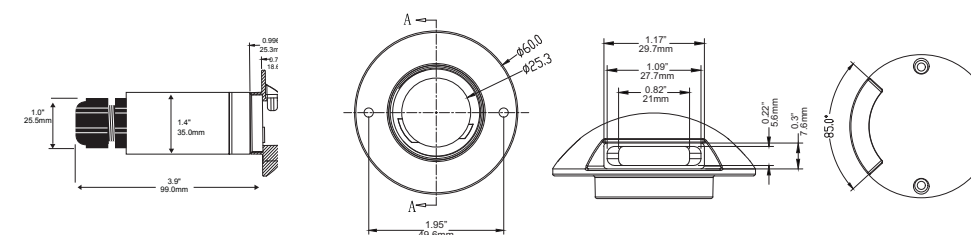
APPLICATIONS

- Steps
- Aisles
- Paths
- Driveways
- Direction lighting
- Decorative lighting

SPECIFICATIONS		
Product Code	LEDD-C-XX-D (XX: Color of LED)	
	5500K: LEDD-C-WH-D 2700K: LEDD-C-WW-D	
Electrical	Input Voltage	12V DC
	Power Consumption	3W
Specs	Color Temperature	Cool White 98 lumens @ 5500K; Warm White 95 lumens @ 2700K
	CRI	80+
	Lumen Output	5500K: 98Lm; 2700K: 95Lm
	Efficacy (Lm/w)	33
	Dimmable	Yes
LED	Type	5050
	Life Span	50,000 Hours
Design	Dimensions (Inches)	3.9 x 1.95"
	Dimensions (Millimeters)	99 x 49.6mm
	Cover Finish	Stainless Steel (SUS316)
	Barrel Finish	Stainless Steel (SUS316)
	Max Single Run Length	18 fixtures
	Approved Location	Outdoor
	Mounting	Burial, wall
Warranty	3 Years	
Approvals	cETLus listed and labeled for wet, IC, ceiling, wall and direct burial applications	

- **Wiring Options:** Fixtures can be parallel wired or "Daisy chained" together with up to 18 fixtures on our largest dimmable driver.
- **NOTE:** Use LW-18G-CL2 for all in-wall applications. Use LW-18G-BUR for all burial applications.

DIAGRAM



PRODUCT CODES

LEDD-C-XX-D

LED Disc Light (Dome)

COLOR OF LED
 WH - 5500K
 WW - 2700K

REPLACEMENT LED MODULES

- **LEDD-MOD-WH**
LED Disc Light module, 12V, white LED 5500K
- **LEDD-MOD-WW**
LED Disc Light module, 12V, warm white LED 2700K

INSTALLATION WIRES

- **LW-18G-BUR**
For outdoor burial connections
- **LW-18G-CL2**
For indoor through wall connections

NOTE: One of the above wires **MUST** be used in order to maintain product warranty.

ACCESSORIES



LEDD-CF
Recommended for easy installation in concrete pour applications..

DIMMABLE DRIVERS

TRE12L20DC
20 Watts
Max. recommended load 18 W
Min. recommended load 8 W
6.77" x 2.67" x 1.26" (171 x 68 x 32mm)

TRE12L60DC
60 Watts
Max. recommended load 54 W
Min. recommended load 8 W
6.77" x 2.67" x 1.26" (171 x 68 x 32mm)

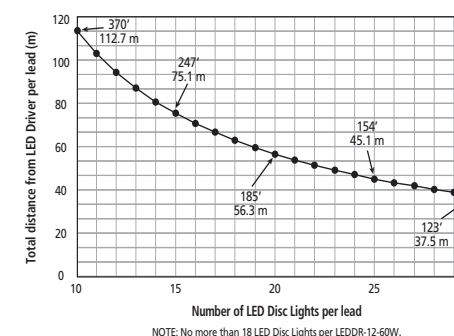
NOTE: For outdoor installations, please add E-KO-SR strain relief.

NON DIMMABLE DRIVERS

LEDDR-12-60W (Indoor/Outdoor)
60W hardwire
Input: 100 - 240V AC; Output: 12V DC
9 11/16" x 2 9/16" x 2 1/16" (246 x 65 x 52mm)

100% LED Light Output Chart

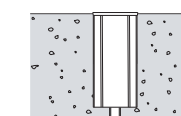
With every foot of lead wire and every light fixture, there is voltage loss. With too much voltage loss all light fixtures will not develop 100% of their potential output. Below is a chart of acceptable voltage loss which will maintain 100% of the potential light output of the LED Disc Light. Simply plot the number of LED Disc Light you wish to place on one lead on the horizontal axis, with the total distance from the LED Driver to the last LED Disc Light on the vertical axis. If the resulting plot is at or below the line shown, you will have acceptable voltage loss and your LED Disc Light will output 100% of their potential.



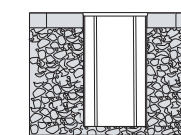
NOTE: No more than 18 LED Disc Lights per LEDDR-12-60W.

WARNING: LACK OF DRAINAGE WILL VOID THE WARRANTY

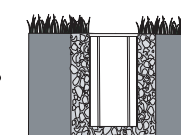
To maintain the warranty, a proper drainage system **MUST** be installed (drainage material or drainage pipe), when the product is installed in soil or concrete.



Concrete Installation



Paving Stones



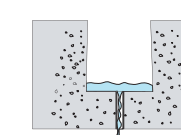
Soil Installation

Test drainage prior to installation.

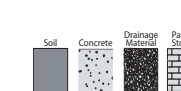
A quantity of water equal to the volume of the mounting hole should drain in 15 minutes or less.



SOFT GROUND



HARD GROUND



Mini Disc Marker Light

Robust and energy-efficient, the LED Mini Disc Light, with its durable construction and low 0.24W consumption, suits a multitude of indoor/outdoor applications. It offers long-lasting illumination in both round and square designs, ensuring compatibility with any décor at an affordable cost.



FEATURES

- Ultra-low consumption: 0.24 watts per fixture.
- Long life of 50,000 hours.
- Dimmable on the primary power supply side with drivers.
- 12V class 2 safety.
- Up to 100 fixtures per supply.
- cETLus certified.
- Fits 1" diameter, 3.5" depth.
- Lens: Frosted Tempered Glass.
- 2-year limited warranty; 3-year limited warranty

APPLICATIONS

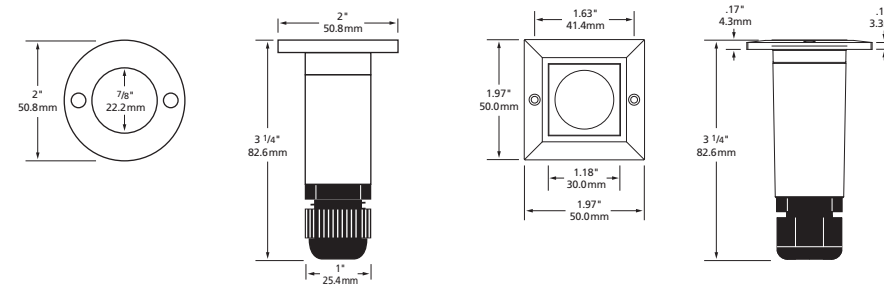
- Steps
- Aisles
- Paths
- Driveways
- Direction lighting
- Information lighting
- Decorative lighting
- Merchandising
- Landscape accents

SPECIFICATIONS

		LEDMD-XX-YY (ROUND)		LEDMD-XX-YY-SQ (SQUARE)	
Product Code (XX: Color of LED; YY: Finish)		LEDMD-CW-AL LEDMD-CW-WH LEDMD-CW-BZ			
		LEDMD-CW-BK LEDMD-CW-SS LEDMD-WW-AL			
		LEDMD-WW-WH LEDMD-WW-BZ LEDMD-WW-BK			
		LEDMD-WW-SS LEDMD-AM-AL LEDMD-AM-WH			
		LEDMD-AM-BZ LEDMD-AM-BK LEDMD-AM-SS		LEDMD-CW-SS-SQ	
		LEDMD-BL-AL LEDMD-BL-WH LEDMD-BL-BZ		LEDMD-WW-SS-SQ	
		LEDMD-BL-BK LEDMD-BL-SS LEDMD-GR-AL		LEDMD-AM-SS-SQ	
		LEDMD-GR-WH LEDMD-GR-BZ LEDMD-GR-BK		LEDMD-BL-SS-SQ	
		LEDMD-GR-SS LEDMD-RD-AL LEDMD-RD-WH		LEDMD-GR-SS-SQ	
		LEDMD-RD-BZ LEDMD-RD-BK LEDMD-RD-SS		LEDMD-RD-SS-SQ	
Electrical	Input Voltage	12V DC			
	Power Consumption	0.24W			
Specs	Color Temperature	Cool White 5400K, Warm White 2900K, Blue, Green, Amber, Red			
	CRI	80+			
	Lumen Output	17Lm			
	Efficacy (Lm/w)	70			
	Dimmable	Yes			
	Beam Angle	120°			
LED	Life Span	50,000 Hours			
	Dimensions (Inches)	3 1/4 x 2"		3 1/4 x 1.97"	
	Dimensions (Millimeters)	82.6 x 50.8mm		82.6 x 50mm	
	Cover Finish	Aluminum, White, Bronze, Black, Stainless Steel			
	Barrel Finish	Aluminum, White, Bronze, Black, Stainless Steel			
	Material	Both cover and barrel are die cast Aluminum			
	Lens	Frosted tempered glass			
	Approved Location	Outdoor			
Warranty	Life Span	3 Years			
	Approvals	cETLus listed and labeled for wet, IC, ceiling, wall and direct burial applications			

- **NOTE:** When installing in harsh environments (such as limestone, coastal environments, etc.) please use the stainless steel version to avoid the risk of corrosion.
- Each LED Driver can power up to 200 LED MiniDisc Lights by parallel wiring ("daisy chain") between fixtures.
- **NOTE:** Use LW-18G-CL2 for all in-wall applications, LW-18G-BUR for all burial applications.

DIAGRAM



PRODUCT CODES

ROUND

LEDMD-XX-YY

- | | | |
|------------|---------------------|----------------------|
| LED | COLOR OF LED | FINISH |
| MiniDisc | CW - 5400K | AL - Aluminum |
| Light | WW - 2900K | WH - White |
| | AM - Amber | BZ - Bronze |
| | BL - Blue | BK - Black |
| | GR - Green | SS - Stainless Steel |
| | RD - Red | |

SQUARE

LEDMD-XX-YY-SQ

- | | | |
|------------|---------------------|----------------------|
| LED | COLOR OF LED | FINISH |
| MiniDisc | CW - 5400K | SS - Stainless Steel |
| Light | WW - 2900K | |
| | AM - Amber | |
| | BL - Blue | |
| | GR - Green | |
| | RD - Red | |

REPLACEMENT LED MODULES

- **LCL-LEDMOD-WH**
LED Mini Disc Light module, 12V, white LED 5400K
- **LCL-LEDMOD-WW**
LED Mini Disc Light module, 12V, warm white LED 2900K

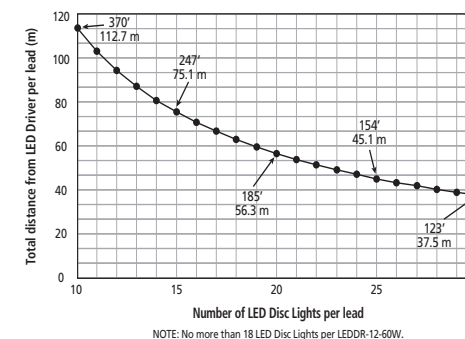
INSTALLATION WIRES

- **LW-18G-BUR**
For outdoor burial connections
- **LW-18G-CL2**
For indoor through wall connections

NOTE: One of the above wires **MUST** be used in order to maintain product warranty.

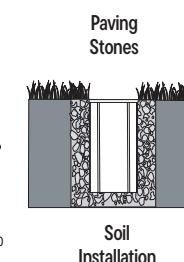
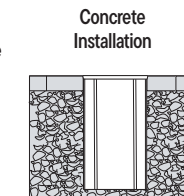
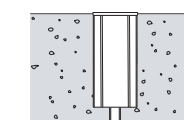
100% LED Light Output Chart

With every foot of lead wire and every light fixture, there is voltage loss. With too much voltage loss all light fixtures will not develop 100% of their potential output. Below is a chart of acceptable voltage loss which will maintain 100% of the potential light output of the LED Disc Light. Simply plot the number of LED Disc Light you wish to place on one lead on the horizontal axis, with the total distance from the LED Driver to the last LED Disc Light on the vertical axis. If the resulting plot is at or below the line shown, you will have acceptable voltage loss and your LED Disc Light will output 100% of their potential.



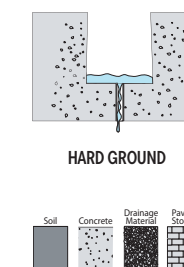
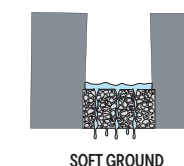
WARNING: LACK OF DRAINAGE WILL VOID THE WARRANTY

To maintain the warranty, a proper drainage system **MUST** be installed (drainage material or drainage pipe), when the product is installed in soil or concrete.



Test drainage prior to installation.

A quantity of water equal to the volume of the mounting hole should drain in 15 minutes or less.



ACCESSORIES



LEDMD-CF
LED Mini Disc Light concrete form for concrete pour applications. Fits over most 1/2" (12.7mm) conduit junction boxes.

LEDMD-CF-SQ
LED MiniDisc Light Square concrete form for concrete pour applications. Fits over most 1/2" (12.7mm) conduit junction boxes.

DIMMABLE DRIVERS

TRE12L20DC
20 Watts
Max. recommended load 18 W or 75 Mini Disc Lights
Min. recommended load 8 W or 34 Mini Disc Lights
6.77" x 2.67" x 1.26" (171 x 68 x 2mm)

TRE12L60DC
60 Watts
Max. recommended load 54 W or 200 Mini Disc Lights
Min. recommended load 8 W or 34 Mini Disc Lights
6.77" x 2.67" x 1.26" (171 x 68 x 32mm)

NON DIMMABLE DRIVERS

LEDDR-12-60W (Indoor/Outdoor)
60W hardwire
Input: 100 - 240V AC
Output: 12V DC
Max. 200 Mini Disc Lights
9 11/16" x 2 9/16" x 2 1/16" (246 x 65 x 52mm)

Mini Disc Light (Scoop)

The LED Mini Disc Scoop directs light precisely, ideal for stair and theater aisle lighting. It's durable and efficient, offering a 50,000-hour lifespan and low 0.24W consumption, fitting easily into 1" holes. Certified for diverse environments, it ensures safety and versatility with a solid warranty.



FEATURES

- Ultra-low consumption: 0.24 watts per fixture.
- Long life of 50,000 hours.
- Dimmable on the primary power supply side with drivers.
- 12V class 2 safety.
- Up to 100 fixtures per supply.
- cETLus certified.
- Fits 1" diameter, 3.5" depth.
- Lens: Frosted Tempered Glass.
- 2-year limited warranty; 3-year limited

APPLICATIONS

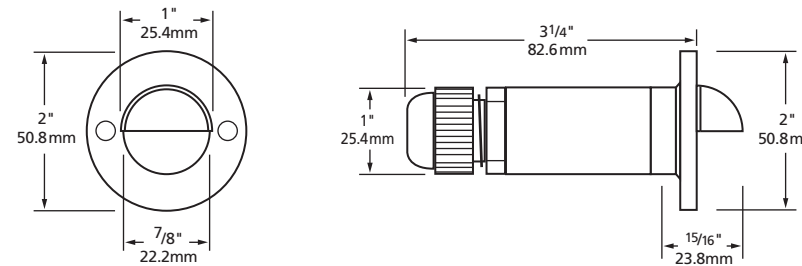
- Steps
- Aisles
- Paths
- Driveways
- Direction lighting
- Information lighting
- Decorative lighting
- Merchandising
- Landscape accents

SPECIFICATIONS

SPECIFICATIONS		
Product Code	LEDMD-S-XX-YY (XX: Color of LED; YY: Finish)	
	5400K + Aluminum: LEDMD-S-CW-AL 5400K + White: LEDMD-S-CW-WH 5400K + Bronze : LEDMD-S-CW-BZ 5400K + Black: LEDMD-S-CW-BK	
	2900K + Aluminum: LEDMD-S-WW-AL 2900K + White: LEDMD-S-WW-WH 2900K + Bronze : LEDMD-S-WW-BZ 2900K + Black: LEDMD-S-WW-BK	
	Amber + Aluminum: LEDMD-S-AM-AL Amber + White: LEDMD-S-AM-WH Amber + Bronze : LEDMD-S-AM-BZ Amber + Black: LEDMD-S-AM-BK	
	Blue + Aluminum: LEDMD-S-BL-AL Blue + White: LEDMD-S-BL-WH Blue + Bronze : LEDMD-S-BL-BZ Blue + Black: LEDMD-S-BL-BK	
	Green + Aluminum: LEDMD-S-GR-AL Green + White: LEDMD-S-GR-WH Green + Bronze : LEDMD-S-GR-BZ Green + Black: LEDMD-S-GR-BK	
Red + Aluminum: LEDMD-S-RD-AL Red + White: LEDMD-S-RD-WH Red + Bronze : LEDMD-S-RD-BZ Red + Black: LEDMD-S-RD-BK		
Electrical	Input Voltage	12V DC
	Power Consumption	0.24W
Specs	Color Temperature	Cool White 5400K, Warm White 2900K, Blue, Green, Amber, Red
	CRI	80+
	Lumen Output	17Lm
	Efficacy (Lm/w)	70
	Dimmable	Yes
	Beam Angle	No up-light when mounted with scoop on upper half
LED	Life Span	50,000 Hours
Design	Dimensions (Inches)	2 x 3 1/4"
	Dimensions (Millimeters)	50.8 x 82.6mm
	Cover Finish	Aluminum, White, Bronze, Black
	Barrel Finish	Aluminum, White, Bronze, Black
	Lens	Frosted tempered glass
	Max Single Run Length	200 fixtures
	Approved Location	Outdoor
Mounting	Recessed	
Warranty	2 Years	
Approvals	cETLus listed and labeled for wet, IC, ceiling, wall and direct burial applications	

- **NOTE:** When installing Mini Disc Scoop in harsh environments (such as limestone, salted areas, coastal environments, etc.) please use the stainless steel version to avoid the risk of corrosion to the body of the fixture.
- Each LED Driver can power up to 200 Mini Disc Lights by parallel wiring ("daisy chain") between fixtures.
- **NOTE:** Use LW-18G-CL2 for all in-wall applications, LW-18G-BUR for all burial applications.

DIAGRAM



PRODUCT CODES

LEDMD-S-XX-YY

LED	COLOR OF	FINISH
Mini Disc	LED	AL - Aluminum
Light (Scoop)	CW - 5400K	WH - White
	WW - 2900K	BZ - Bronze
	AM - Amber	BK - Black
	BL - Blue	
	GR - Green	
	RD - Red	

REPLACEMENT LED MODULES

- **LCL-LEDMOD-WH**
LED Mini Disc Light module, 12V, white LED 5400K
- **LCL-LEDMOD-WW**
LED Mini Disc Light module, 12V, warm white LED 2900K

INSTALLATION WIRES

- **LW-18G-BUR**
For outdoor burial connections
- **LW-18G-CL2**
For indoor through wall connections

NOTE: One of the above wires **MUST** be used in order to maintain product warranty.

ACCESSORIES



LEDMD-CF
Concrete form for concrete pour applications. Fits over most 1/2" (12.7mm) conduit junction boxes.

DIMMABLE DRIVERS

TRE12L20DC
20 Watts
Max. recommended load 18 W or 75 Mini Disc Lights
Min. recommended load 8 W or 34 Mini Disc Lights
6.77" x 2.67" x 1.26" (171 x 68 x 2mm)

TRE12L60DC
60 Watts
Max. recommended load 54 W or 200 Mini Disc Lights
Min. recommended load 8 W or 34 Mini Disc Lights
6.77" x 2.67" x 1.26" (171 x 68 x 32mm)

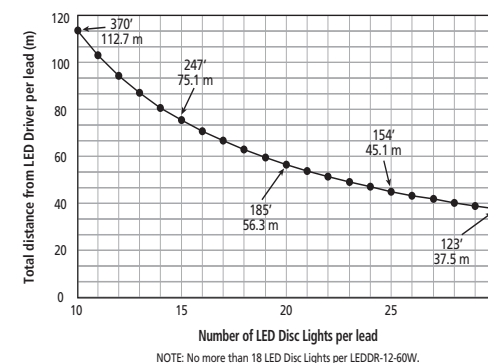
NOTE: For outdoor installations, please add E-KO-SR strain relief.

NON DIMMABLE DRIVERS

LEDDR-12-60W (Indoor/Outdoor)
60W hardwire
Input: 100 - 240V AC
Output: 12V DC
Max. 200 Mini Disc Lights
9 11/16" x 2 9/16" x 2 1/16" (246 x 65 x 52mm)

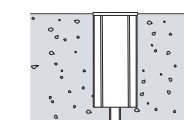
100% LED Light Output Chart

With every foot of lead wire and every light fixture, there is voltage loss. With too much voltage loss all light fixtures will not develop 100% of their potential output. Below is a chart of acceptable voltage loss which will maintain 100% of the potential light output of the LED Disc Light. Simply plot the number of LED Disc Light you wish to place on one lead on the horizontal axis, with the total distance from the LED Driver to the last LED Disc Light on the vertical axis. If the resulting plot is at or below the line shown, you will have acceptable voltage loss and your LED Disc Light will output 100% of their potential.

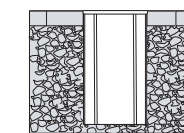


WARNING: LACK OF DRAINAGE WILL VOID THE WARRANTY

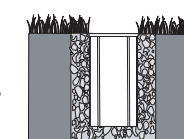
To maintain the warranty, a proper drainage system **MUST** be installed (drainage material or drainage pipe), when the product is installed in soil or concrete.



Concrete Installation



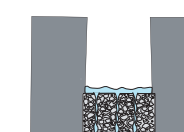
Paving Stones



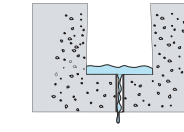
Soil Installation

Test drainage prior to installation.

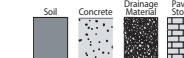
A quantity of water equal to the volume of the mounting hole should drain in 15 minutes or less.



SOFT GROUND



HARD GROUND



Well Light

Illuminate columns, fences, and trees discreetly with this well light. Designed for flush installation, it features a robust die-cast Aluminum housing and a powerful integrated 6-watt LED. Waterproof and backed by a 15-year warranty.



FEATURES

- Low-profile design for discreet lighting.
- Robust die-cast Aluminum construction.
- Silicon filled wirenuts.
- IP67 rated.
- Wet location listed.
- Powerful 6-watt integrated LED.
- Weatherproof for outdoor durability.
- Bright 580-lumen output.
- Stylish black finish for modern appeal.
- Effortless installation with included sleeve.
- Backed by a solid 15-year warranty.

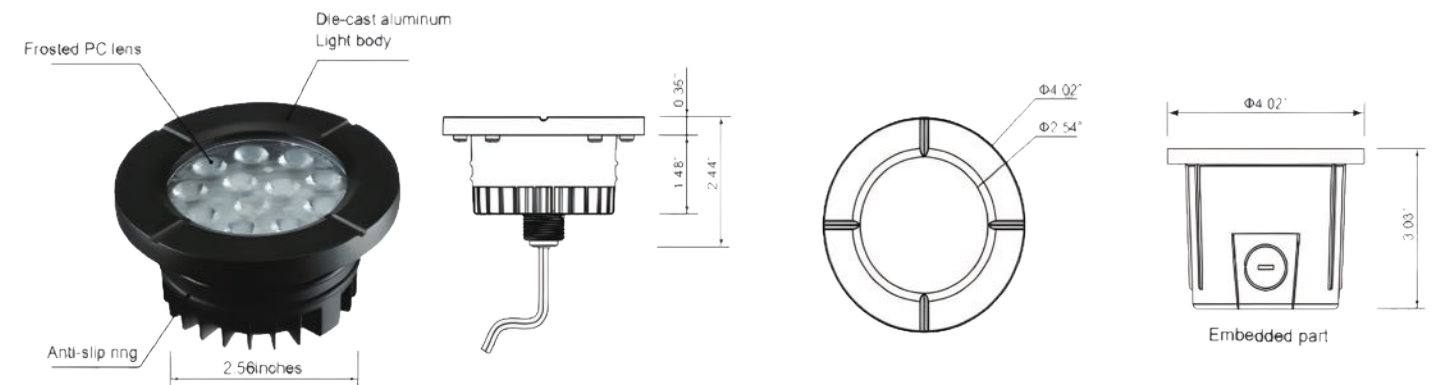
APPLICATIONS

- Column and pillar illumination
- Pathway and boundary lighting
- Tree canopy highlighting
- Garden and seating area visibility
- Water feature enhancement
- Step and stair safety lighting

SPECIFICATIONS			
Product Code	IG-01-12V-36D-BLK	IG-01-12V-60D-BLK	
Electrical	Input Voltage	12 - 24V	
	Power Consumption	6W	
Specs	Color Temperature	3000K	
	CRI	90+	
	Lumen Output	580Lm	
	Efficacy (Lm/w)	97	
	Dimmable	No	
	IP Rating	IP67	
	Beam Angle	36°	60°
	LED	Type	SMD2835
	Life Span	50,000 Hours	
Design	Dimensions (Inches)	3.03 x 4.02"	
	Dimensions (Millimeters)	76.9 x 102 mm	
	Finish	Black	
	Material	Die-cast Aluminum	
	Cable	Copper	
	Operating Temperature	-20 to 40°C	
	Approved Location	Outdoor	
	Mounting	In-ground	
Warranty	15 Years		
Approvals	cETLus		



DIAGRAM



ACCESSORIES



ACC-12G-2C-BUR

Landscape burial wire, 12G, 2C - 500ft spool

ACC-12G-2C-BUR-XX

Landscape burial wire, 12G, 2C - custom cuts

NOTE: A transformer is required. See pages 97 to 100 for details.

12V AC, 100W Transformer

A small transformer for smaller installations. Comes with built in photocell and mechanical timer.



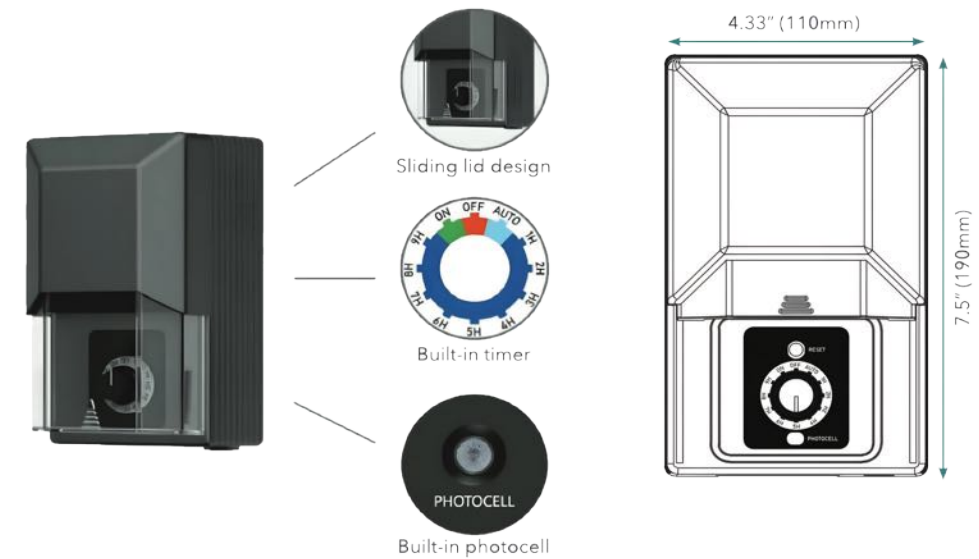
FEATURES

- Composite body.
- Built-in mechanical timer.
- Built-in photocell.
- 12V/100W output, 120V input.
- Transparent sliding lid design.
- Overload protection.
- IP65 weatherproof.
- 72" SJT(W) cable, heavy gauge, grounded and water resistant power cord with molded plug.
- 50,000 hour life.
- 2 comm terminals.
- Long-lasting with a 15-year warranty.
- 7.5" by 4.4" by 4.5".

SPECIFICATIONS		
Product Code	ACC-TR-100W	
Electrical	Input Voltage	120V
	Output Voltage	12V AC
	Power	100W
	Max Output Current	8.5A
Specs	Color Temperature	Cool White 98 lumens @ 5500K; Warm White 95 lumens @ 2700K
	Life Span	50,000 Hours
Design	Dimensions (Inches)	7.5 x 4.33"
	Dimensions (Millimeters)	190 x 110mm
	Finish	Black
	Material	Composite
	Operating Temperature	-20 to 40°C
	Mounting	On Wall
	IP Rating	IP65
Warranty	15 Years	
Approvals	cETLus	



DIAGRAM



ACCESSORIES



- ACC-12G-2C-BUR**
Landscape burial wire, 12G, 2C - 500ft spool
- ACC-12G-2C-BUR-XX**
Landscape burial wire, 12G, 2C - custom cuts

12-15V AC, 300W Transformer

A 300W transformer, in a stainless-steel case. Enough power to run most landscape light systems. For bigger properties, run 2 units.



FEATURES

- Stainless steel case.
- 300W output, 110V input.
- 1 common terminal, with 12V, 13V, 14V, 15V terminals.
- 6.1" by 5.3" by 11.6" dimensions.
- Quick mount bracket.
- Sealed removable lockable hinged door.
- Pre-scored knockout sides and bottom panel.
- Tool-less removable bottom panel.
- Fully encapsulated Toroid Core.
- 304L stainless steel enclosure.
- Long-lasting with a 15-year warranty.

SPECIFICATIONS		
Product Code	ACC-TR-300W	
Electrical	Input Voltage	120V
	Output Voltage	12V, 13V, 14V, 15V AC
	Power	300W
	Max Output Current	8.5A
	Primary Protection	25 AMP breaker
Specs	Color Temperature	Cool White 98 lumens @ 5500K; Warm White 95 lumens @ 2700K
	Life Span	50,000 Hours
Design	Dimensions (Inches)	11.6 x 6.1"
	Dimensions (Millimeters)	295 x 155mm
	Finish	Black
	Material	Composite
	Operating Temperature	-20 to 40°C
	Mounting	On Wall
	IP Rating	IP65
Warranty	15 years	
Approvals	cETLus	



DIAGRAM



ACCESSORIES



ACC-DT
Digital Timer



ACC-PC
Photocell



ACC-WIFI
WI-FI Controller



ACC-12G-2C-BUR
Landscape burial wire, 12G, 2C - 500ft spool

ACC-12G-2C-BUR-XX
Landscape burial wire, 12G, 2C - custom cuts

A photograph of a modern office ceiling. The ceiling is composed of a grid of square acoustic tiles. Numerous recessed circular lights are embedded in the tiles, some of which are illuminated. A prominent feature is a large, curved, white, illuminated light fixture that runs across the ceiling, creating a sense of depth and movement. The overall lighting is bright and even. In the top right corner, there is a large yellow circle containing the text "Down Lighting".

Down Lighting

5CCT Ultra-Thin LED Recessed Ceiling Light

With an ultra-thin 9mm profile, double-sided frosted diffuser, and advanced ADC12 aluminum cooling frame, this dimmable LED light offers even illumination, energy efficiency (PF > 0.9), and protection for wet locations.



FEATURES

- Ultra-thin 0.35-inch profile.
- 5CCT options: 2700K-5000K.
- High CRI > 90.
- Even light distribution, frosted diffuser.
- Triac dimmable, 5%-100%.
- ADC12 aluminum cooling frame.
- High power factor (>0.9).
- Connector with strain relief design.
- Great spring elasticity, 6N-8N force.
- 50,000 hour life.
- 5 year limited warranty.
- Airtight.

APPLICATIONS

- Residential living rooms
- Kitchens
- Bathrooms (damp-rated areas)
- Commercial offices
- Retail displays
- Hospitality spaces
- Hallways and corridors

SPECIFICATIONS			
Sizes	4"	6"	
Product Code	SDL-5CCT-4-WH-1P (1 Pack) SDL-5CCT-4-WH-6P (6 Pack) SDL-5CCT-4-WH-12P (12 Pack) SDL-5CCT-4-WH-24P (24 Pack)	SDL-5CCT-6-WH-1P (1 Pack) SDL-5CCT-6-WH-6P (6 Pack) SDL-5CCT-6-WH-12P (12 Pack)	
Electrical	Input Voltage: 120V AC		
	Output Power (W): 9W	12W	
Specs	Color Temperature: 5CCT: 2700/3000/3500/4000/5000K		
	CRI: 90+		
	Lumens	>850Lm	>1200Lm
	Dimmable	Yes, with TRIAC dimmers	
	PF	>0.9	
	Beam Angle	110°	
	IP Rating	IP40	
LED	Type: 2385	Life Span: 50,000 Hours	
Design	Dimensions (Inches)	D1=3.19", D2=4.92", H=0.75"	D1=4.98", D2=6.61", H=0.75"
	Dimensions (Millimeters)	D1=81mm, D2=125mm, H=19mm	D1=126.5mm, D2=168mm, H=19.1mm
	Shade Material	Aluminum Alloy	
	Back Plate	Galvanized Iron Sheet	
	Clip	Steel	
	Finish	White finish	
	Trim Rings	Black	
	Approved Location	Wet	
	Mounting	Ceiling	
	Warranty	5 Years	
Approvals	cETLus and Energy Star		

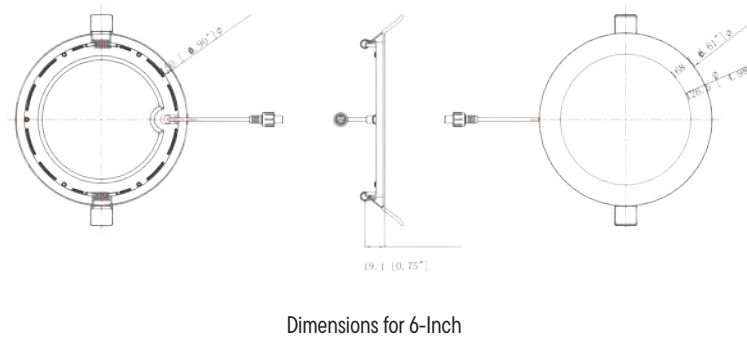
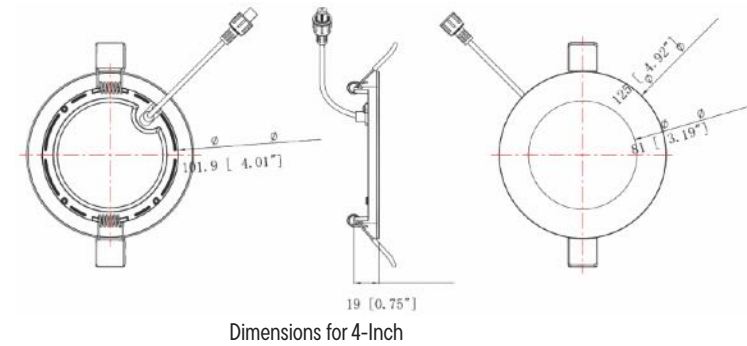
PACKAGING

4-Inch Model (Applies to 6-Inch as well; photos not to scale)



1 Pack: SDL-5CCT-4-WH-1P 6 Pack: SDL-5CCT-4-WH-6P 12 Pack: SDL-5CCT-4-WH-12P 24 Pack: SDL-5CCT-4-WH-24P

DIAGRAM

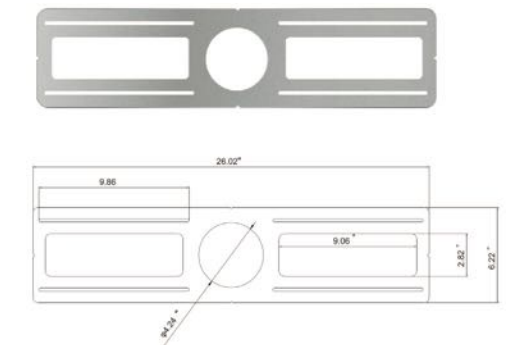


PRODUCT IMAGE

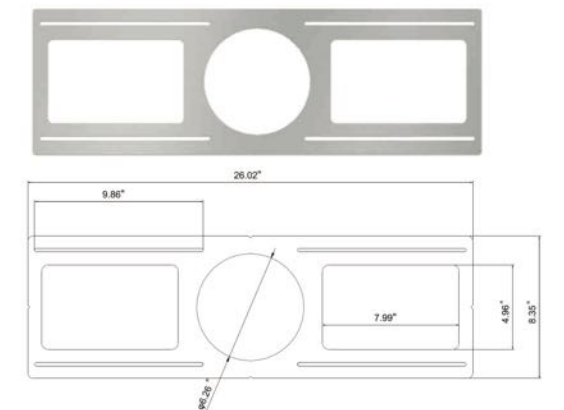


CONSTRUCTION PLATES

For 4-Inch: SDL-5CCT-4-CP



For 6-Inch: SDL-5CCT-6-CP



TRIM RINGS

For 4-Inch: SDL-5CCT-4-TR-BK

For 6-Inch: SDL-5CCT-6-TR-BK



NOTE: Trim Rings and Construction Plates are sold separately.

5CCT LED Thin Line Down Light (Round)

Ideal for both commercial and residential settings, this versatile and cost-effective down light offers adjustable 5 color temperatures.



FEATURES

- TRIAC dimmable.
- 120° beam spread.
- Adjustable color temperature.
- Two spring loaded clips to attach to any ceiling material.
- White finish (interchangeable: brushed nickel, black, bronze trim rings available - sold separately).
- Wet locations listed.
- Temperature rating: -20°C to 45°C.
- No IC can required, for direct contact with insulation and combustible materials.
- Connects directly to 120V power supply.
- Optional 277V Step-Down Transformer (non-dimmable).

APPLICATIONS

- Kitchens & pantries
- Laundry rooms
- Bathrooms
- Lobbies & hallways
- Banquet halls & elevators
- Retail lighting
- Offices & restaurants

SPECIFICATIONS					
Size	3 Inches	4 Inches	6 Inches	8 Inches	10 Inches
Product Code	DL-5CCT-3-WH	DL-5CCT-4-WH	DL-5CCT-6-WH	DL-5CCT-8-WH	DL-5CCT-10-WH
Electrical	Input Voltage: 120V AC Power Consumption: 6W, 9W, 12W, 15W, 20W Color Temperature: 2700/3000/3500/4000/5000K Lumen Output: 490-500Lm, 730-860Lm, 980-1150Lm, 1230-1550Lm, 1640-2200Lm Efficacy: 70Lm/w CRI: 90 Dimmable: Yes (TRIAC) Beam Angle: 120°				
Specs	Type: Epistar Life Span: 50,000 Hours				
LED	Dimensions (Inches): 3.1 x 3.8 x .5", 4 x 4.7 x .5", 6.14 x 6.85 x 0.5", 8 x 8.9 x 0.5", 10 x 10.8 x 0.5" Dimensions (Millimeters): 80 x 95.5 x 11.5mm, 101 x 120.1 x 11.5mm, 150 x 174.5 x 11.5mm, 220 x 226 x 11.5mm, 254 x 274 x 11.5mm Installation Hole Size: 3.35" (85mm), 4.33" (110mm), 6.3" (160mm), 8.27" (210mm), 10.16" (258mm)				
Design	Finish: White Trim Finish: BK: Black, BZ: Bronze, BN: Brushed Nickel Operating Temperature: -20°C to 45°C Approved Location: Wet Mounting: Ceiling via spring loaded clips				
Warranty	5 Years				
Approvals	cETLus and Energy Star				

PRODUCT CODES

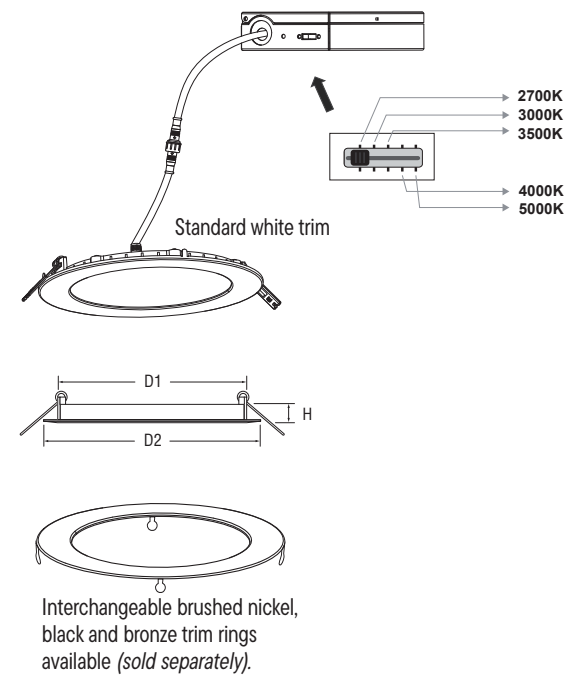
DL-5CCT-YY-WH (YY: Size in Inches)

- 5CCT LED Thin-Line Down Lights
- SIZE
 3: 3"
 4: 4"
 6: 6"
 8: 8"
 10: 10"

- ROUND TRIM RINGS (Sold Separately)
- LVLDL - 03 - TR - XX - L3
 LVLDL - 04 - TR - XX - L3
 LVLDL - 06 - TR - XX - L3
 LVLDL - 08 - TR - XX - L3
 LVLDL - 10 - TR - XX - L3
- BEAUTY RINGS (Sold Separately)
- LVLDL-BR-3-L3
 LVLDL-BR-4-L3
 LVLDL-BR-6-L3
 LVLDL-BR-8-L3
 LVLDL-BR-10-L3

TRIM RING FINISH
 BK: Black, BZ: Bronze; BN - Brushed Nickel

DIAGRAM

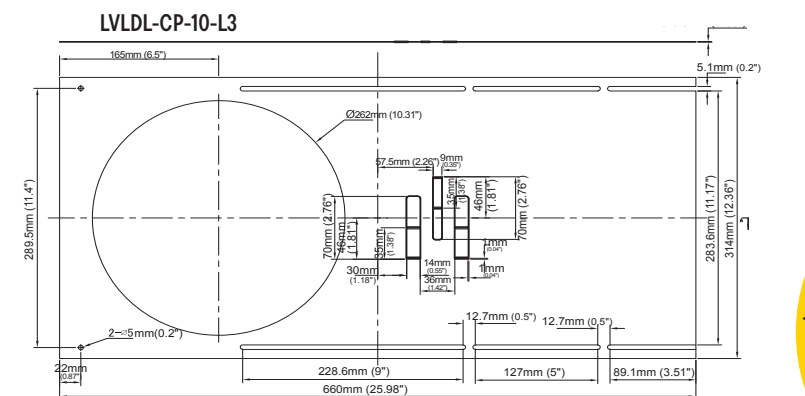
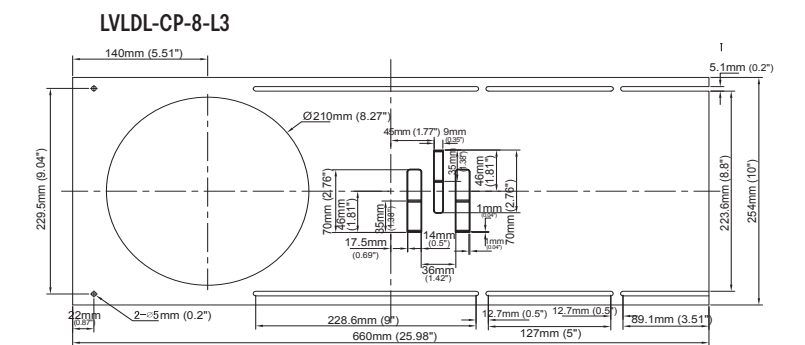
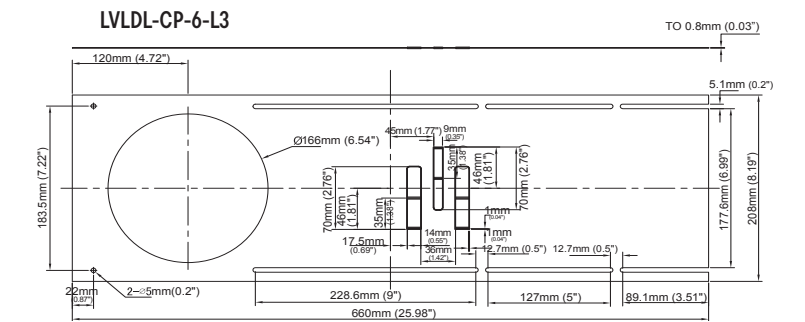
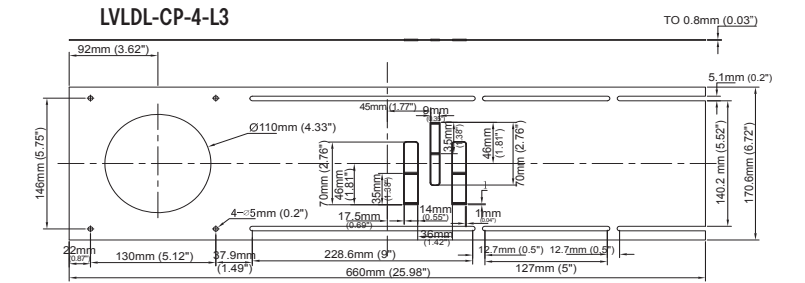
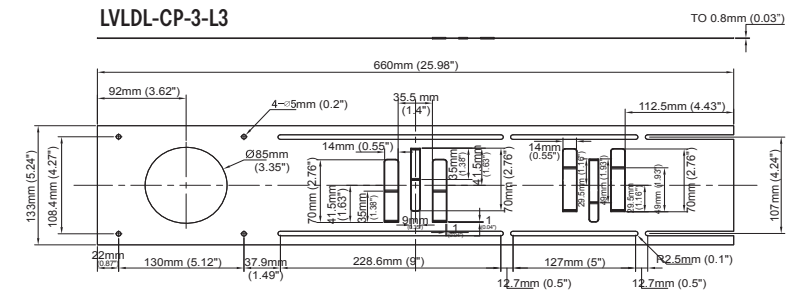


ACCESSORIES



LVLDL-YY-TR-XX-L3
 Trim Rings For 5 CCT LED Thin Line Down Light (sold separately).

CONSTRUCTION PLATES



5CCT LED Thin Line Down Light (Square)

Designed with a sleek square shape, this down light offers versatility, affordability, and adjustable 5 color temperatures.



FEATURES

- TRIAC dimmable.
- 120° beam spread.
- Adjustable color temperature.
- Two spring loaded clips to attach to any ceiling material.
- White finish (interchangeable: brushed nickel, black, bronze trim rings available - sold separately).
- Wet locations listed.
- Temperature rating: -20°C to 45°C.
- No IC can required, for direct contact with insulation and combustible materials.
- Connects directly to 120V power supply.
- Optional 277V Step-Down Transformer (non-dimmable).

APPLICATIONS

- Kitchens & pantries
- Laundry rooms
- Bathrooms
- Lobbies & hallways
- Banquet halls & elevators
- Retail lighting
- Offices & restaurants

SPECIFICATIONS		
Size	4 Inches	6 Inches
Product Code	DL-5CCT-4S-WH	DL-5CCT-6S-WH
Electrical	120V AC	
Input Voltage	120V AC	
Power Consumption	9W	12W
Specs	2700/3000/3500/4000/5000K	
Color Temperature	2700/3000/3500/4000/5000K	
Lumen Output	780Lm	1100Lm
Efficacy	70Lm/w	
CRI	90	
Dimmable	Yes (TRIAC)	
Beam Angle	120°	
LED	Epistar	
Type	Epistar	
Life Span	50,000 Hours	
Design	White	
Dimensions (Inches)	4.1 x 4.7 x .4"	6.3 x 6.8 x .4"
Dimensions (Millimeters)	103 x 120 x 11.3mm	159 x 171.5 x 11.3mm
Installation Hole Size	4.33" (110mm)	6.30" (160mm)
Finish	White	
Trim Finish	BK: Black, BZ: Bronze, BN: Brushed Nickel	
Operating Temperature	-20°C to 45°C	
Approved Location	Wet	
Mounting	Ceiling via spring loaded clips	
Warranty	5 Years	
Approvals	cETLus and Energy Star	



PRODUCT CODES

DL-5CCT-YY-WH (YY: Size in Inches)

5CCT LED Thin-Line Down Lights

SIZE (Square)
4S: 4"
6S: 6"

SQUARE TRIM RINGS (Sold Separately)

LVLDL - 04S - TR - XX - L3
LVLDL - 06S - TR - XX - L3

TRIM RING FINISH

BK: Black, BZ: Bronze; BN - Brushed Nickel

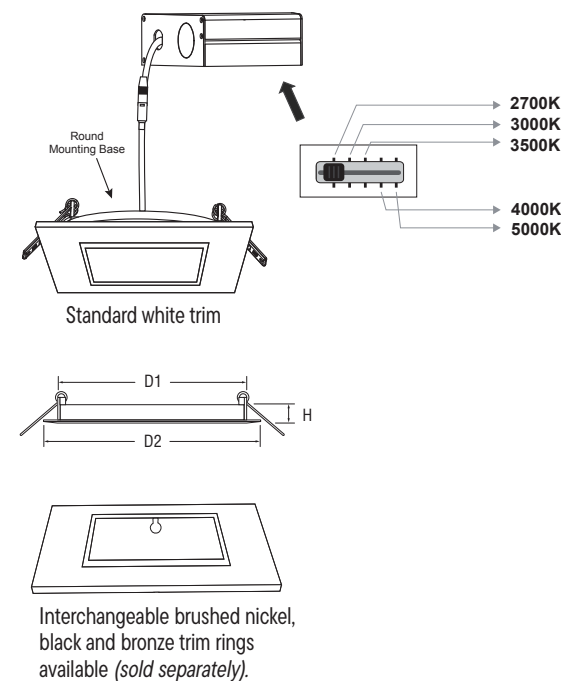
ACCESSORIES



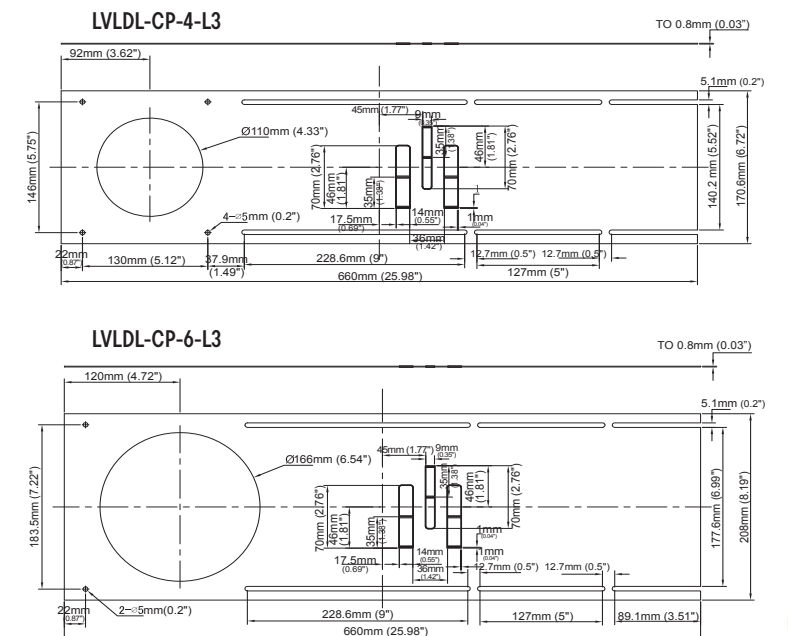
LVLDL-YY-TR-XX-L3

Square Shaped Trim Rings For 5 CCT LED Thin Line Down Light (sold separately).

DIAGRAM

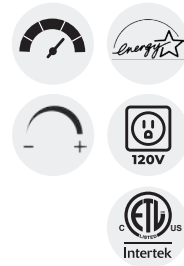


CONSTRUCTION PLATES



Regressed Down Light (CCT)

Ideal for both new builds and remodeling projects, these versatile and cost-effective downlights come in two configurations: one allows to easily adjust the color temperature with a slider switch (2700/3000/4000K), while the other offers the flexibility of Bluetooth to select any color temperature from 2700K to 5000K.



FEATURES

- Two convenient options: Slider Switch CCT adjustable and Bluetooth CCT adjustable.
- Dimmable: Slider Switch CCT Adjustable with Electronic Low Voltage (ELV) dimmers, and Bluetooth CCT Adjustable through the smartphone app.
- Two spring loaded clips to attach to any ceiling material.
- White finish; Interchangeable satin nickel, black and bronze trim rings available (sold separately).
- Bluetooth CCT Adjustable linkable up to 100 fixtures, individual and zonal control possible through the smartphone app.
- Regressed design to reduce glare.
- Suitable for damp locations.
- Temperature rating: -20°C to 45°C.
- The driver is wired for 120V input.
- Optional 277V Step-Down Transformer.
- 50,000-hour life.
- Backed with a 3-year limited warranty.

APPLICATIONS

- Lobbies
- Hallways
- Banquet halls
- Elevators
- Stairways
- Retail
- Restaurants
- Office lighting
- Under cabinet
- In cabinet
- Wall mount for regress lighting
- Under soffits (outdoor)

SPECIFICATIONS

Type	CCT Switch Adjustable		CCT Bluetooth Adjustable		
Product Code	RGL-4B-9W-SW (4")	RGL-6B-12W-SW (6")	RGL-4B-9W-BT (4")	RGL-6B-9W-BT (6")	
Electrical	Input Voltage	100-277V AC			
	Power Consumption	9W	12W	9W	12W
Specs	Color Temperature	2700/3000/4000K (Slider Switch CCT Adjustable)		2700-5000K (Bluetooth CCT Adjustable)	
	Lumen Output	750Lm	1100Lm	750Lm	1165Lm
	Efficacy	70Lm/w			
	CRI	90+			
	Dimmable	Yes			
	Beam Angle	120°			
LED	Life Span	50,000 Hours			
Design	Dimensions (Inches)	.86 x .511"	.86 x .716"	.86 x .511"	.86 x .716"
	Dimensions (Millimeters)	22 x 130mm	22 x 182mm	22 x 130mm	22 x 182mm
	Installation Hole Size	4.13" (105mm)	6.18" (157mm)	4.13" (105mm)	6.18" (157mm)
	Finish	White			
	Trim Finish	BK: Black, BZ: Bronze, SN: Satin Nickel			
	Operating Temperature	-20°C to 40°C			
	Approved Location	Indoor			
	Mounting	Ceiling via spring loaded clips			
Warranty	3 Years				
Approvals	cETLus listed for damp locations and Energy Star				

PRODUCT CODES

CCT SWITCH ADJUSTABLE
RGL - 4B - 9W - SW
RGL - 6B - 12W - SW

CCT BLUETOOTH ADJUSTABLE
RGL - 4B - 9W - BT
RGL - 6B - 12W - BT

TRIM RINGS
(Sold Separately)
RGL - 4 - TR - XX
RGL - 6 - TR - XX

TRIM RING FINISH
BK - Black
BZ - Bronze
SN - Satin Nickel

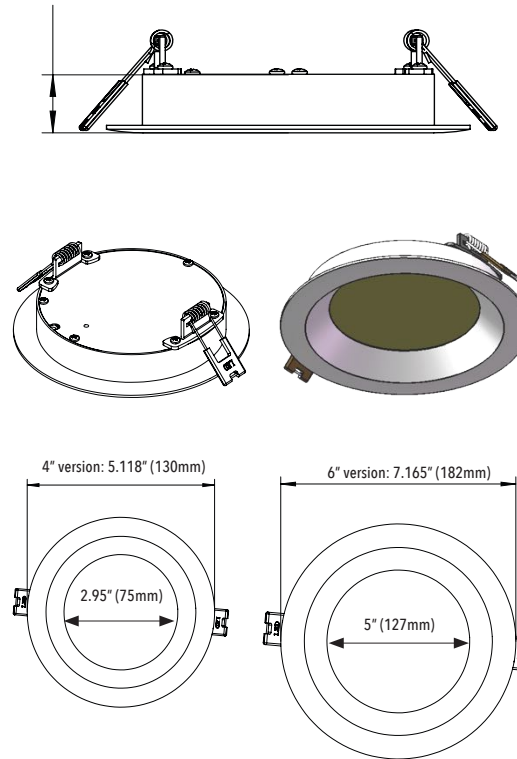
STEP-DOWN TRANSFORMERS

DLT-277
Step-down transformer 277/120V AC 25VA (non-dimmable)

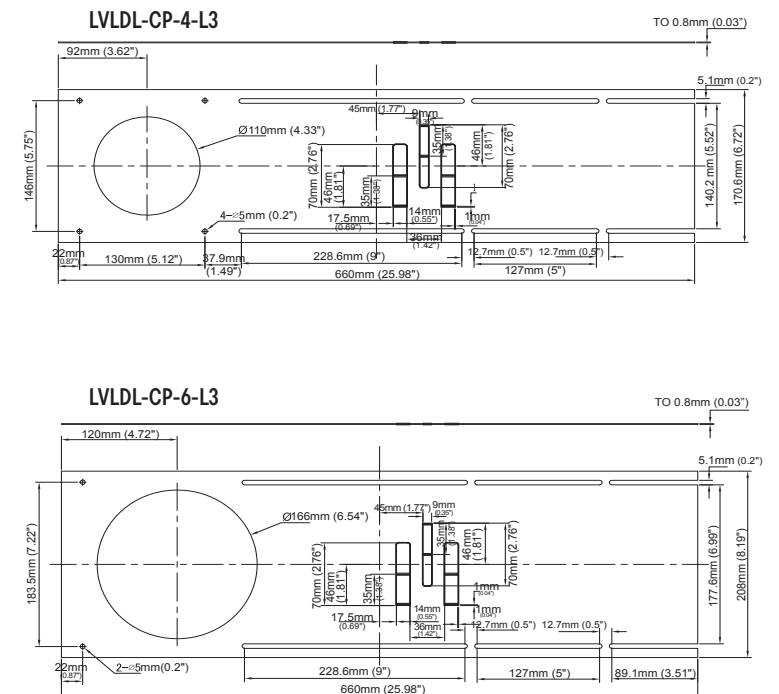
DLT-60-277
Step-down transformer 277/120V AC 60VA (non-dimmable)

DLT-100-277
Step-down transformer 277/120V AC 100VA (non-dimmable)

DIAGRAM



CONSTRUCTION PLATES



ACCESSORIES



RGL-4-TR-XX
RGL-6-TR-XX [XX= BK=(Black), BZ=(Bronze), SN=(Satin Nickel)]
Trim Rings For 5 CCT LED Thin Line Down Light (sold separately).

5CCT LED Gimbal Down Light

(90° Tilting Angle)

Ideal for directional lighting in both remodels and new constructions, 5CCT LED Gimbal Down Lights provide a flexible and cost-effective option across a broad range of uses.



FEATURES

- 120V AC input voltage.
- TRIAC dimmable.
- Low power consumption: 8/ 14/18W.
- Available in 3", 4" and 6".
- Luminous flux: 600-650LM/ 950-1000LM/ 1150-1200LM.
- CCT adjustable: 2700/ 3000/ 3500/4000/ 5000K.
- 30,000-hour life.
- 360° rotation.
- Beam angle: 38°.
- Tilting angle: 90°.
- 90CRI.
- cETLus, Energy Star certified.
- 5-year limited warranty.
- Airtight.

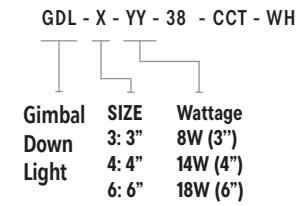
APPLICATIONS

- | | |
|--------------------|-------------------|
| RESIDENTIAL | COMMERCIAL |
| • Kitchens | • Lobbies |
| • Pantries | • Hallways |
| • Laundry rooms | • Elevators |
| • Bathrooms | • Stairways |
| | • Retail |
| | • Restaurants |
| | • Office lighting |

SPECIFICATIONS

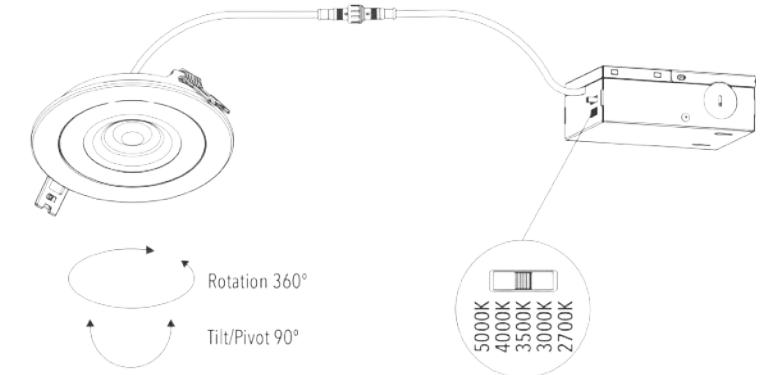
Size	3 Inches	4 Inches	6 Inches	
Product Code	GDL-3-8W-38-CCT-WH	GDL-4-14W-38-CCT-WH	GDL-6-18W-38-CCT-WH	
Electrical	Input Voltage	120V AC		
	Power Consumption	8W	14W	18W
Specs	Color Temperature	2700/3000/3500/4000/5000K		
	Luminous Flux	700Lm	1350Lm	1500Lm
	CRI	90+		
	Dimmable	Yes, TRIAC dimmable		
	Beam Angle	38°		
	Rotation	360°		
	Tilting Angle	90°		
LED	Type	High Brightness COB LED		
	Life Span	30,000 Hours		
Design	Dimensions (Inches)	1.3 x 3.35"	1.42 x 4.41"	2.09 x 6.02"
	Dimensions (Millimeters)	33 x 85mm	36 x 112mm	53 x 153mm
	Installation Hole Size	3 3/8" (85mm)	4 7/16" (112mm)	6" (153mm)
	Finish	White		
	Operating Temperature	-20°C to 40°C		
	Approved Location	Indoor/Outdoor		
Mounting	Ceiling via spring loaded clips			
Warranty	5 Years			
Approvals	cETLus and Energy Star			

PRODUCT CODES

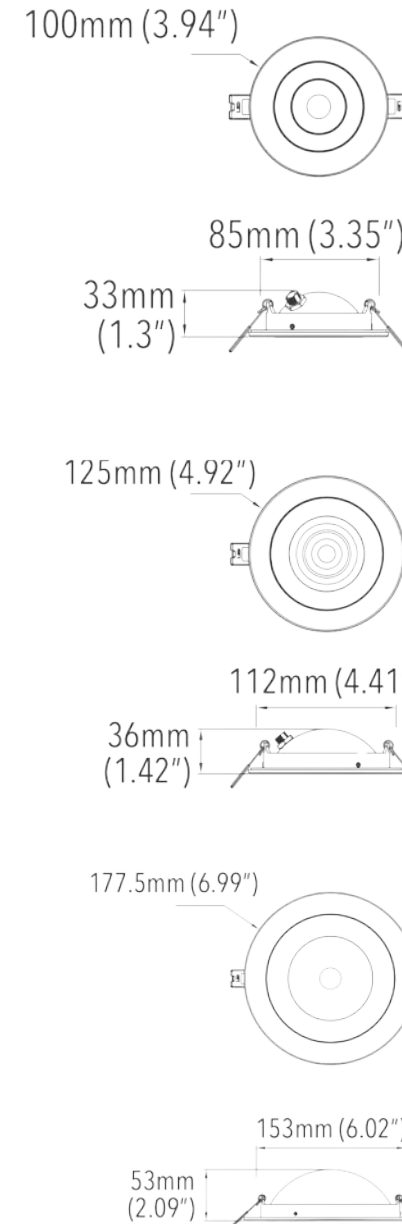


(X: Size in Inches; YY: Wattage)

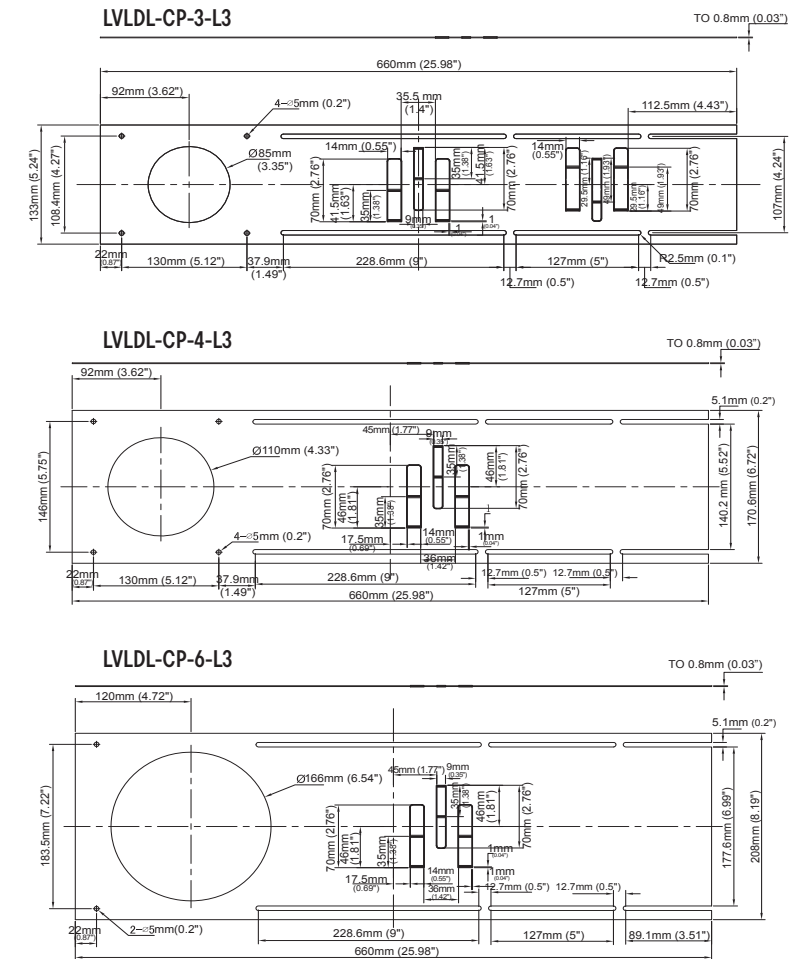
DIAGRAM



DIMENSIONS



CONSTRUCTION PLATES



Surface Mount Down Lights (ROUND)



The LED Surface Mount Down Light offers a streamlined solution for efficient lighting. Built-in Driver on Board (DOB) technology allows for easy ceiling installation without an external driver. Perfect for enhancing any residential or commercial space.

FEATURES

- DOB technology provides a 120V alternating current source and eliminates the need for traditional LED driver.
- Quick & easy to install on standard junction box, ceiling mount with mounting plate.
- Temperature rating: -20° to 40°C.
- Die-cast aluminum housing.
- Smooth and continuous dimming with most ELV dimmers.
- Rated for 50,000 hours.
- No light bulbs to replace or dispose.
- Instant full brightness (including in sub-zero temperatures).
- 80+ CRI.
- cETLus listed for wet locations.
- 5-year limited warranty.

APPLICATIONS

- | | |
|---|---|
| RESIDENTIAL <ul style="list-style-type: none"> • Kitchens • Pantries • Laundry rooms • Under cabinet • In cabinet • Under soffits (Outdoor) | COMMERCIAL <ul style="list-style-type: none"> • Lobbies & hallways • Banquet halls • Elevators & stairways • Retail & restaurants • Under cabinet • In cabinet • Wall mount for recess lighting |
|---|---|

SPECIFICATIONS

Size	6 Inches	8 Inches	10 Inches	12 Inches
Product Code	LVLDL-SR-06-WW-WH-L	LVLDL-SR-08-WW-WH-L	LVLDL-SR-10-WW-WH-L	LVLDL-SR-12-WW-WH-L
	LVLDL-SR-06-NW-WH-L	LVLDL-SR-08-NW-WH-L	LVLDL-SR-10-NW-WH-L	LVLDL-SR-12-NW-WH-L
Electrical	Input Voltage: 120V AC			
	11W	14W	17W	22W
Specs	Color Temperature: 3000/4000K			
	880WW, 900NW	1000WW, 1050NW	1200WW, 1250NW	1800WW, 1850NW
	80WW, 82NW	71WW, 75NW	70WW, 73NW	82WW, 84NW
	CRI: 80+			
	Dimmable: Yes (with most ELV dimmers)			
	Beam Angle: 120°			
LED	Type: Epistar			
	Life Span: 50,000 Hours			
Design	6" D x 1" H	8" D x 1" H	10" D x 1" H	12" D x 1" H
	152mm D x 25mm H	203mm D x 25mm H	254mm D x 25mm H	305mm D x 25mm H
	Product Material: Die-cast aluminum housing			
	Trim Finish: BK: Black, BZ: Bronze, BN: Brushed Nickel			
	Operating Temperature: -20°C to 40°C			
	Approved Location: Kitchens, pantries, laundry areas, and under soffits (outdoors)			
	Mounting: Surface via screw-fixed mounting plate			
Warranty	5 Years			
Approvals	cETLus listed for wet locations and Energy Star			

PRODUCT CODES

LVLDL - SR - YY - XX - WH - L (YY: Size in Inches; XX: Color Temperature)

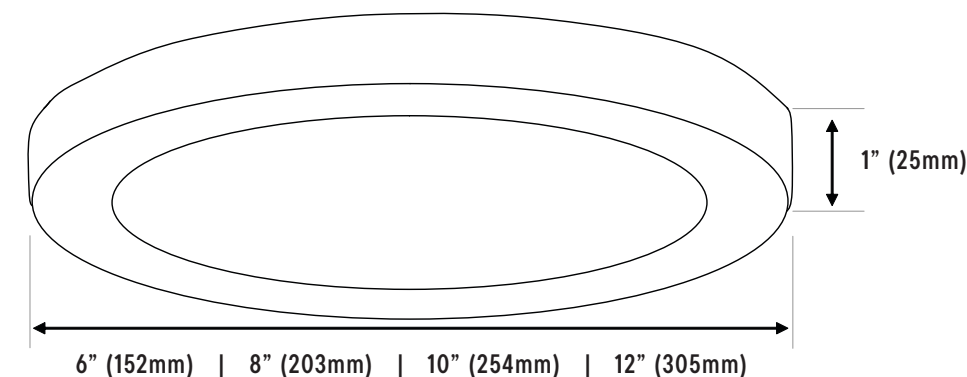
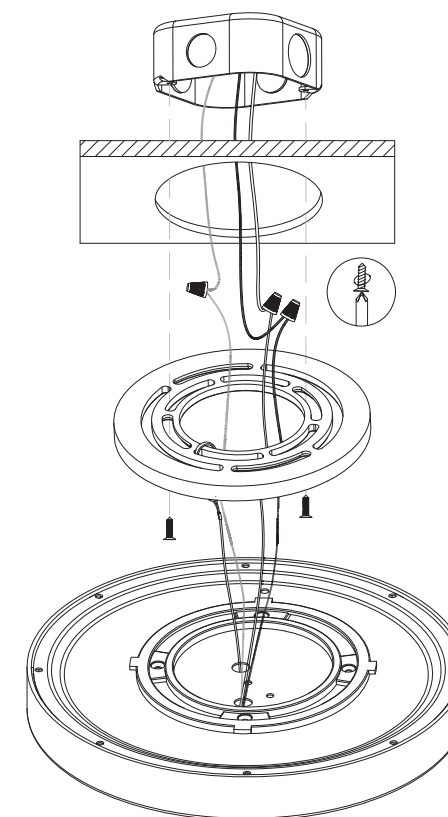
Round LED Surface Mount Down Light	SIZE	LED Color
	06 - 6"	WW: 3000K
	08 - 8"	NW: 4000K
	10 - 10"	
	12 - 12"	

ROUND TRIM RINGS (Sold Separately)

LVLDL - SR - 06 - TR - XX - L
LVLDL - SR - 08 - TR - XX - L
LVLDL - SR - 10 - TR - XX - L
LVLDL - SR - 12 - TR - XX - L

TRIM RING FINISH
BK: Black, BZ: Bronze, SN: Satin Nickel

DIAGRAM



Surface Mount Down Lights (SQUARE)

The Square LED Surface Mount Down Light, with its compact, square design and DOB technology, requires no external driver for ceiling mounting. Directly fits into 4" junction boxes, suitable for widespread lighting in residential or commercial spaces.



FEATURES

- DOB technology provides a 120V alternating current source and eliminates the need for traditional LED driver.
- Quick & easy to install on standard junction box, ceiling mount with mounting plate.
- Temperature rating: -20° to 40°C.
- Die-cast aluminum housing.
- Smooth and continuous dimming with most ELV dimmers.
- Rated for 50,000 hours.
- No light bulbs to replace or dispose
- Instant full brightness (including in sub-zero temperatures).
- 80+ CRI.
- cETLus listed for wet locations.
- 5-year limited warranty.

APPLICATIONS

- RESIDENTIAL**
 - Kitchens
 - Pantries
 - Laundry rooms
 - Under cabinet
 - In cabinet
 - Under soffits
 - (Outdoor)
- COMMERCIAL**
 - Lobbies & hallways
 - Banquet halls
 - Elevators & stairways
 - Retail & restaurants
 - Under cabinet
 - In cabinet
 - Wall mount for regress lighting

SPECIFICATIONS

Size	6 Inches	8 Inches	10 Inches	12 Inches	
Product Code	LVLDL-SS-06-WW-WH-L	LVLDL-SS-08-WW-WH-L	LVLDL-SS-10-WW-WH-L	LVLDL-SS-12-WW-WH-L	
	LVLDL-SS-06-NW-WH-L	LVLDL-SS-08-NW-WH-L	LVLDL-SS-10-NW-WH-L	LVLDL-SS-12-NW-WH-L	
Electrical	Input Voltage: 120V AC				
	Power Consumption	11W	14W	17W	22W
Specs	Color Temperature: 3000/4000K				
	Lumen Output	880WW, 900NW	1000WW, 1050NW	1200WW, 1250NW	1800WW, 1850NW
	Efficacy	80WW, 82NW	71WW, 75NW	70WW, 73NW	82WW, 84NW
	CRI	80+			
	Dimmable	Yes (with most ELV dimmers)			
	Beam Angle	120°			
LED	Type: Epistar				
	Life Span: 50,000 Hours				
Design	Dimensions (Inches)	6" D x 1" H	8" D x 1" H	10" D x 1" H	12" D x 1" H
	Dimensions (Millimeters)	152mm D x 25mm H	203mm D x 25mm H	254mm D x 25mm H	305mm D x 25mm H
	Product Material	Die-cast aluminum housing			
	Trim Finish	BK: Black, BZ: Bronze, BN: Brushed Nickel			
	Operating Temperature	-20°C to 40°C			
	Approved Location	Kitchens, pantries, laundry areas, and under soffits (outdoors)			
	Mounting	Surface via screw-fixed mounting plate			
Warranty	5 Years				
Approvals	cETLus listed for wet locations and Energy Star				

PRODUCT CODES

LVLDL - SS - YY - XX - WH - L (YY: Size in Inches; XX: Color Temperature)

Square LED Surface Mount Down Light

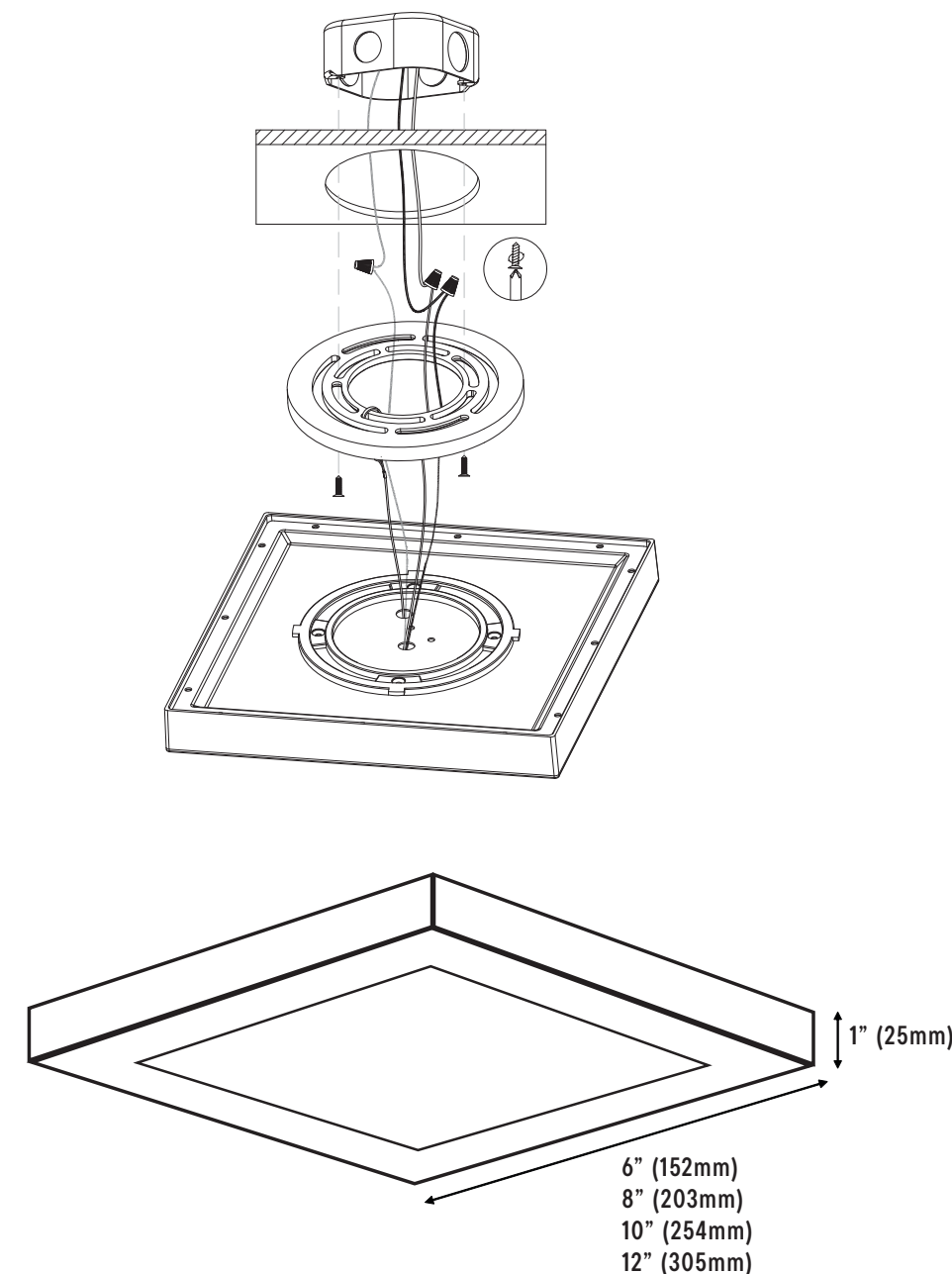
SIZE	LED Color
06 - 6"	WW: 3000K
08 - 8"	NW: 4000K
10 - 10"	
12 - 12"	

ROUND TRIM RINGS (Sold Separately)

LVLDL - SS - 06 - TR - XX - L
 LVLDL - SS - 08 - TR - XX - L
 LVLDL - SS - 10 - TR - XX - L
 LVLDL - SS - 12 - TR - XX - L

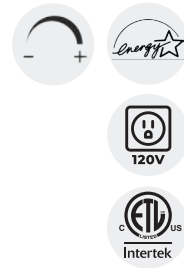
TRIM RING FINISH
 BK: Black, BZ: Bronze, SN: Satin Nickel

DIAGRAM



Ceiling Lights

Ceiling lights are versatile, designed to fit any interior, whether at home or in a business. They serve as direct replacements for traditional ceiling fixtures, offering both aesthetic appeal and energy efficiency.



FEATURES

- Elegant and energy efficient design.
- Available in brushed nickel trim.
- Suitable for damp location.
- Input voltage: 120V AC.
- Dimmable with most ELV dimmers.
- 50,000 hours life.
- cETLus listed.
- Easy installation.
- Maintenance free.
- Even light distribution.
- 5-year warranty.

APPLICATIONS

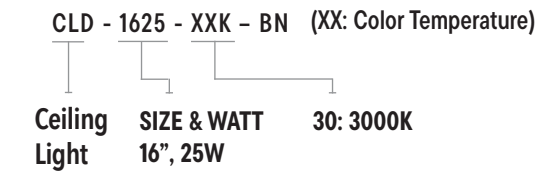
- | | |
|--------------------|------------------------|
| RESIDENTIAL | COMMERCIAL |
| • Kitchens | • Lobbies |
| • Pantries | • Hallways |
| • Laundry rooms | • Elevators |
| • Bathrooms | • Stairways |
| | • Retail & restaurants |



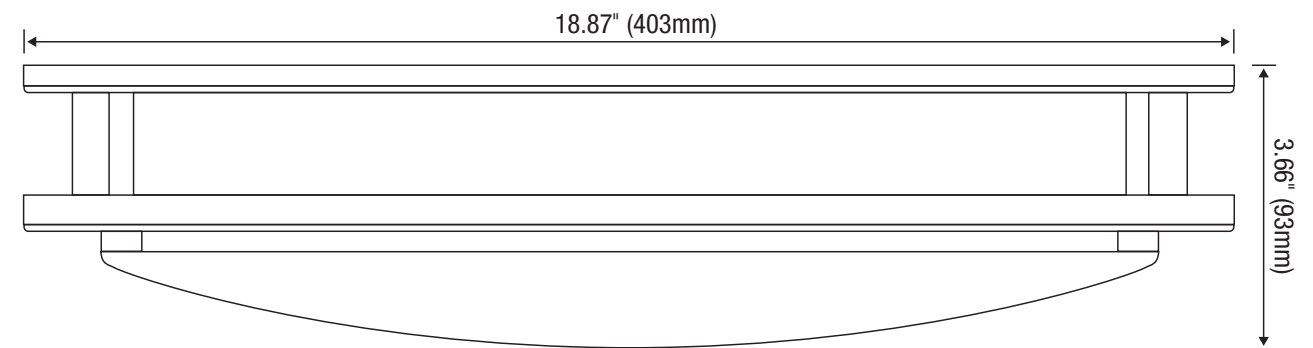
SPECIFICATIONS		
Product Code	CLD-1625-30K-BN	
Electrical	Input Voltage	120V AC
	Power Consumption	25W
Specs	Color Temperature	3000K
	CRI	80
	Lumen Output	1875LM
	Dimmable	Yes (with most ELV dimmers)
	Beam Angle	120°
LED	Life Span	50,000 Hours
Design	Dimensions (Inches)	18.87 x 3.65"
	Dimensions (Millimeters)	403 x 93mm
	Finish Color / Trims	Brushed Nickel
	Product Material	Metal/Acrylic
	Approved Location	Indoor
	Mounting	Ceiling
Warranty	5 Years	
Approvals	cETLus and Energy Star	

NOTE: MOQ may apply.

PRODUCT CODES

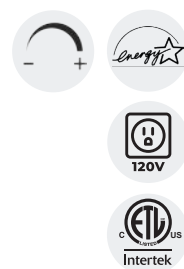


DIAGRAM



Wall Sconce

Beautifully designed, elegant and a great addition to any decor, Wall Sconces will compliment any designer look. These fixtures can replace any existing indoor accent lighting, creating tremendous energy savings, at an extremely affordable price.



FEATURES

- Elegant and energy efficient design.
- Brushed nickel trim finish.
- Input voltage 120V AC.
- Dimmable with most ELV dimmers.
- 50,000 hours life.
- Suitable for damp location.
- cETLus listed.
- Easy installation.
- Maintenance free.
- Even light distribution.
- 5-year warranty.

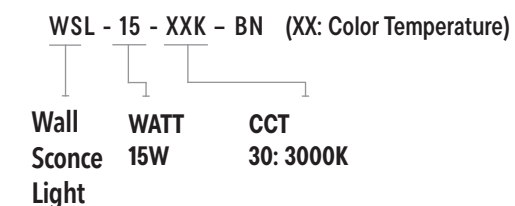
APPLICATIONS

- Hallways
- Lobbies
- Banquet halls
- Retail
- Restaurants

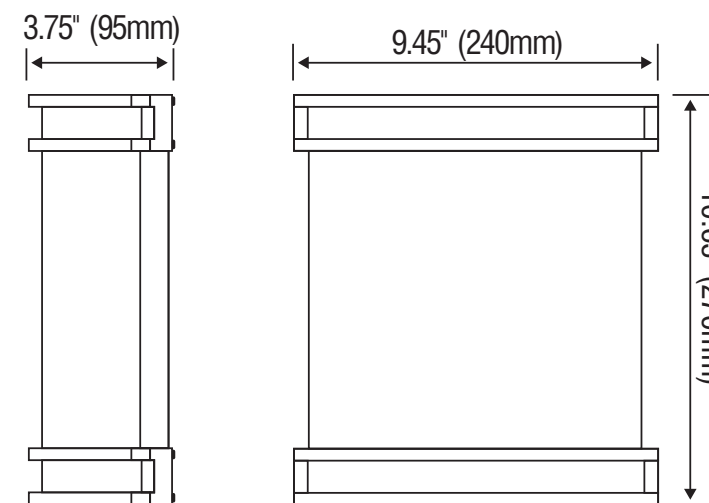
SPECIFICATIONS

Product Code		WSL-15-30K-BN
Electrical	Input Voltage	120V AC
	Power Consumption	15W
Specs	Color Temperature	3000K
	CRI	80+
	Lumen Output	1600Lm
	Dimmable	Yes (with most ELV dimmers)
	Beam Angle	180°
LED	Life Span	50,000 Hours
Design	Dimensions (Inches)	9.45 x 10.63"
	Dimensions (Millimeters)	240.03 x 270mm
	Finish Color / Trims	Brushed Nickel
	Product Material	Metal/acrylic
	Approved Location	Indoor
	Mounting	Wall
Warranty		5 Years
Approvals		cETLus and Energy Star

PRODUCT CODES

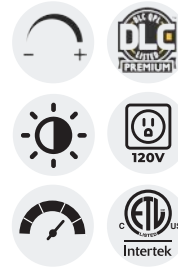


DIAGRAM



T-Edge Lights (5CCT)

An innovative lighting solution, ideal for general and accent lighting in offices, hallways, and commercial applications. Its edge-lit design and 5CCT feature ensure versatile illumination, moving beyond traditional flat panels and troffers.



FEATURES

- Ideal replacement for traditional flat panel and troffers.
- Non-flicker, no dark spots.
- IP Rating: IP40.
- cETLus and DLC premium listed.
- Approved for dry locations.
- 5-year limited warranty.

APPLICATIONS

- | | |
|--------------------|-------------------|
| RESIDENTIAL | COMMERCIAL |
| • Kitchens | • Retail |
| • Bathrooms | • Offices |
| • Laundry rooms | • Hallways |
| • Pantries | • Elevators |
| • Rec rooms | • Banquet halls |
| | • Restaurants |

SPECIFICATIONS

Product Code		TLE-2X2-K40-3065	TLE-2X4-K60-3065
Electrical	Input Voltage	100-347V AC	
	Power Consumption	20/30/40W Adjustable	40/50/60W Adjustable
Specs	Color Temperature	3000/3500/4000/5000/6500K	
	CRI	80+	
	Lumen Output	2500-5000Lm	5000-7500Lm
	Efficacy (LM/W)	130	
	Dimmable	0-10V Dimming	
	Beam Angle	120°	
LED	Life Span	50,000 Hours	
Design	Dimensions (Inches)	23.74 x 23.74 x 0.59"	23.74 x 47.76 x 0.59"
	Dimensions (Millimeters)	603 x 603 x 15mm	603 x 1213 x 15mm
	Finish	White	
	Housing Material	6063-T5	
	Operating Temperature	-20° to 45°C	
	Approved Location	Dry	
	Mounting	Ceiling (placed upon t-bar or hung with wire)	
Warranty	5 Years		
Approvals	cETLus and DLC Premium		

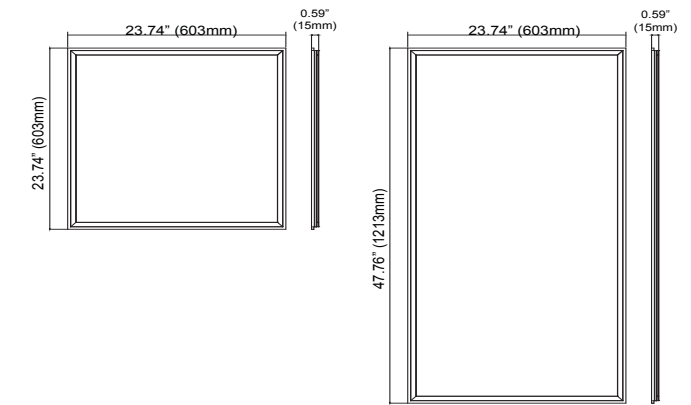


PRODUCT CODES

TLE - 2X2 - K40 - 3065
 TLE - 2X4 - K60 - 3065

SIZE WATTS

DIAGRAM



ACCESSORIES



TLE-DM
Driver mount bracket (for mounting the bracket to the T-BAR)



TLE-MC
Mounting clips (for fixture wire suspension)



ELP14-2060-UNV
Emergency Driver (sold separately)

NOTES:

- TLE-EX-CCT-10: T-LED CCT Edge Light Extension Cord. 10ft is available.
- Driver mount bracket (TLE-DM), and mounting clips (TLE-MC) are available (sold separately). Please check your local building codes, if these accessories.

5CCT Fire Rated Thin Line

Designed to seamlessly merge into any environment, these fixtures combine sleek aesthetics with top-tier fire-resistant materials, ensuring not only captivating illumination but also adherence to stringent safety standards. Illuminate spaces with confidence, knowing you've chosen the best in style and safety.



FEATURES

- 2-hour fire rated: UL 263, ASTM E119 & CAN/ULC S101.
- Two spring loaded clips to attach to any ceiling material.
- White finish (interchangeable brushed nickel, black, oil-rubbed bronze, and copper trim rings available – sold separately).
- Wet locations listed.
- No IC can required, for direct contact with insulation and combustible materials.
- Optional 277V step-down.
- 5 year limited warranty.
- Airtight.
- cETLus and Energy Star listed.
- Comes with mounting brackets and end-to-end connector.

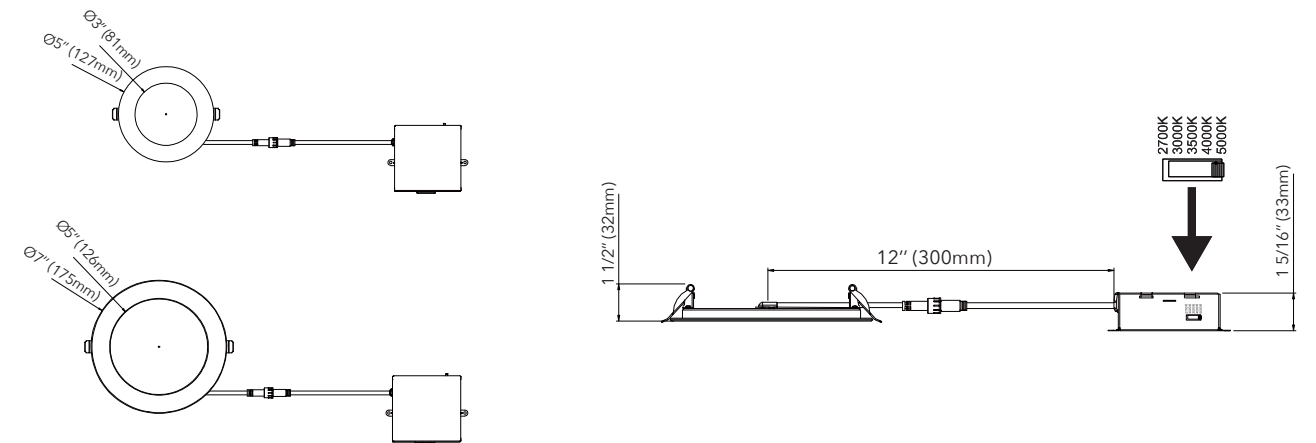
APPLICATIONS

- Kitchens & pantries
- Laundry rooms
- Bathrooms
- Lobbies & hallways
- Banquet halls
- Elevators
- Retail lighting
- Offices & restaurants

SPECIFICATIONS			
Product Codes		DL-FR-5CCT-4-WH	DL-FR-5CCT-6-WH
Electrical	Input Voltage	120V AC	
	Output Power (W)	12W	15W
Specs	Color Temperature	5-position switch for color temperature adjustment: 2700/3000/3500/4000/5000K	
	CRI	90+	
	Lumens	1075Lm	1418Lm
	Dimmable	Yes, with TRIAC dimmers	
	Beam Angle	120°	
LED	Type	Epistar	
	Life Span	50,000 Hours	
Design	Dimensions (Inches)	D1=3", D2=5", H=1/2"	D1=5", D2=7", H=1/2"
	Dimensions (Millimeters)	D1=81mm, D2=127mm, H=11.5mm	D1=126mm, D2=175mm, H=11.5mm
	Finish	White finish	
	Trim Ring (Finish)	Brushed nickel, black, oil-rubbed bronze, and copper trim rings – Sold separately	
	Operating Temperature	-20° to 45°C	
	Approved Location	Wet	
	Mounting	Ceiling	
Warranty	5 Years		
Approvals	cETLus and Energy Star (Tested to comply with: UL 263, ASTM E119 & CAN ULC S101)		



DIAGRAM



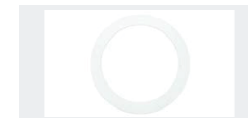
ACCESSORIES



DL-FR-TR-4-YY
TRIM RINGS
YY=
• BK (Black)
• BZ (Oil Rubbed Bronze)
• BN (Brushed Nickel)
• CP (Copper)



DL-FR-TR-6-YY
TRIM RINGS
YY=
• BK (Black)
• BZ (Oil Rubbed Bronze)
• BN (Brushed Nickel)
• CP (Copper)



DL-FR-BR-4
BEAUTY RINGS



DL-FR-BR-6
BEAUTY RINGS



DL-FR-CP-4
CONSTRUCTION PLATES



DL-FR-CP-6
CONSTRUCTION PLATES

5CCT Fire Rated Regressed Downlight

This robust LED fire rated regressed downlight (with baffle) offers fire protection, adjustable color temperature, dimming, and high color accuracy. It's suitable for wet areas, operates in various temperatures, and ensures even lighting. The downlight includes a junction box with a commercial-grade driver for easy installation.



FEATURES

- 2-hour fire rating providing a reinforced and heat resistant steel casing.
- Tested to comply with UL 263, ASTM E119 & CAN/ULC S101.
- Two spring loaded clips to attach to any ceiling material.
- Selectable color temperature: 2700K to 5000K.
- Wet locations listed.
- Triac dimmable.
- 5-year limited warranty.
- Airtight.
- cETLus and Energy Star listed.
- Junction box with commercial grade driver included.

APPLICATIONS

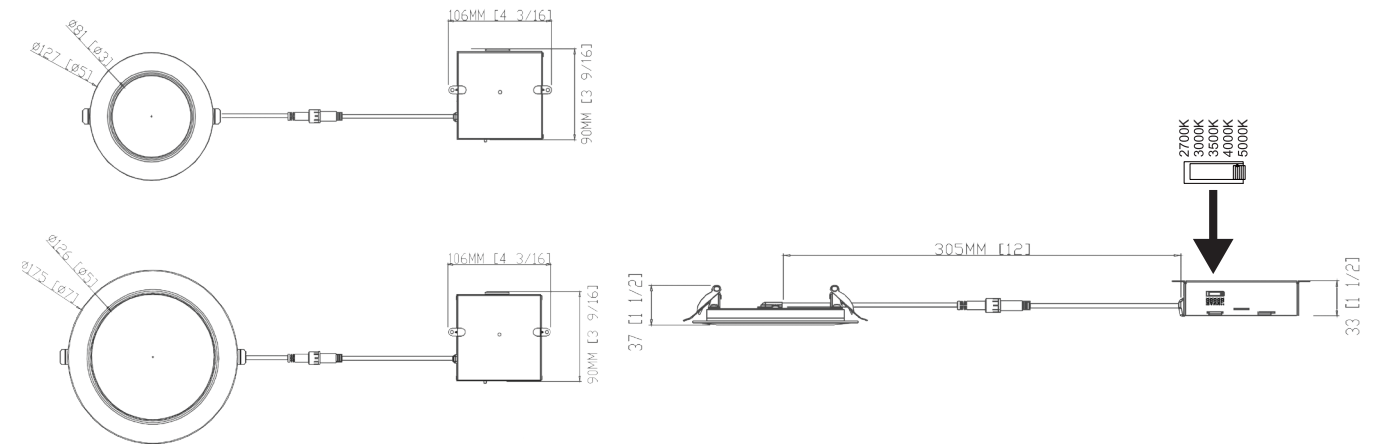
- Kitchens & pantries
- Laundry rooms
- Bathrooms
- Lobbies & hallways
- Banquet halls
- Elevators
- Retail lighting
- Offices & restaurants



SPECIFICATIONS			
Product Codes		RGL-FR-5CCT-4-WH	RGL-FR-5CCT-6-WH
Electrical	Input Voltage	120V AC	
	Output Power (W)	12W	15W
Specs	Color Temperature	5-color field selectable CCT: 2700K, 3000K, 3500K, 4000K, 5000K	
	CRI	90+	
	Lumens	1075Lm	1418Lm
	Power Factor	>0.9	
	Dimmable	Yes, with TRIAC dimmers	
	Beam Angle	120°	
LED	Type	Epistar	
	Life Span	50,000 Hours	
Design	Dimensions (Inches)	D1=3", D2=5", H=1/2"	D1=5", D2=7", H=1/2"
	Dimensions (Millimeters)	D1=81mm, D2=127mm, H=11.5mm	D1=126mm, D2=175mm, H=11.5mm
	Finish	White finish	
	Operating Temperature	-20° to 40°C (-4°F to 104°F)	
	Approved Location	Wet	
Mounting	Ceiling		
Warranty	5 Years		
Approvals	cETLus and Energy Star (Tested to comply with: UL 263, ASTM E119 & CAN ULC S101)		



DIAGRAM





Industrial Lighting

Tri-Proof Lights

Tri-Proof Lights are robust and stylish, designed to withstand impacts, dust, and water, making them suitable for tough environments like factories and garages, as well as residential areas like stairwells and hallways.



FEATURES

- Water-proof (IP66), dust-proof, pressure-proof (IK10).
- Luminous Efficacy (LPW): 110-120.
- Available in 4 ft. length / 40W version.
- Excellent heat dissipation.
- Life: 50,000 hours.
- Energy efficient: Up to 80% energy savings.
- Vandal resistant.
- cETLus listed.
- 5-year limited warranty.

APPLICATIONS

- Parking garages
- Tunnels
- Airports
- Exhibition halls
- Railway, bus and subway stations
- Warehouses and factories
- Supermarkets
- Schools

SPECIFICATIONS

Product Code		SL66-4FT-40W-40
Electrical	Input Voltage	100-240V/277V
	Power Efficiency	90%
Specs	Color Temperature	4000K
	CRI	80+
	Efficacy	110-120Lm/w
	Dimmable	No
LED	Beam Angle	120°
	Type	High brightness SMD2835
Design	Life Span	50,000 Hours
	Dimensions (Inches)	48 x 3.7 x 2.7"
	Dimensions (Millimeters)	1200 x 94 x 69mm
	Operating Temperature	-22°F to 113°F (-30°C to 45°C)
	Approved Location	Indoor/Outdoor
	Mounting	Ceiling via brackets
Warranty	5 Years	
Approvals	cETLus	

NOTE: Each fixture ships with two strain relief connectors.

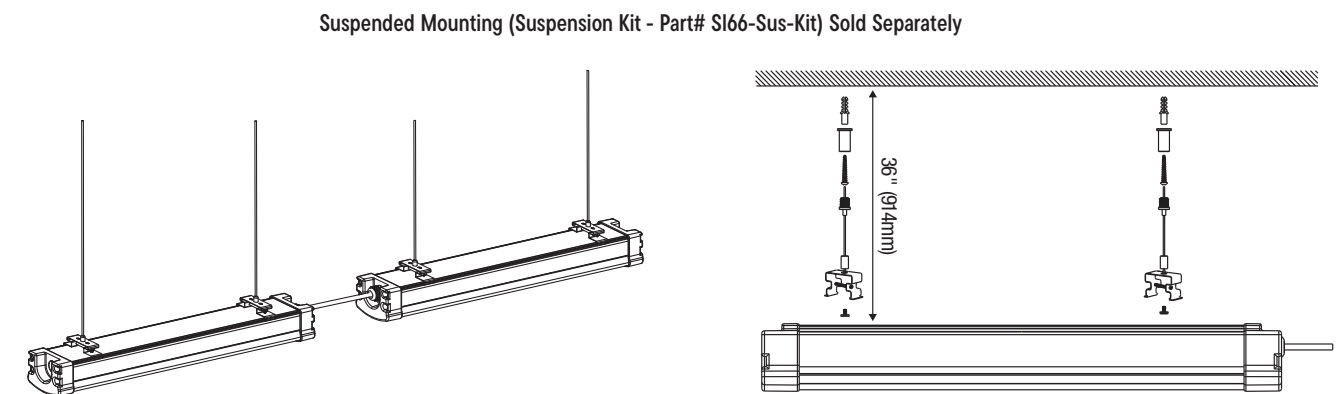
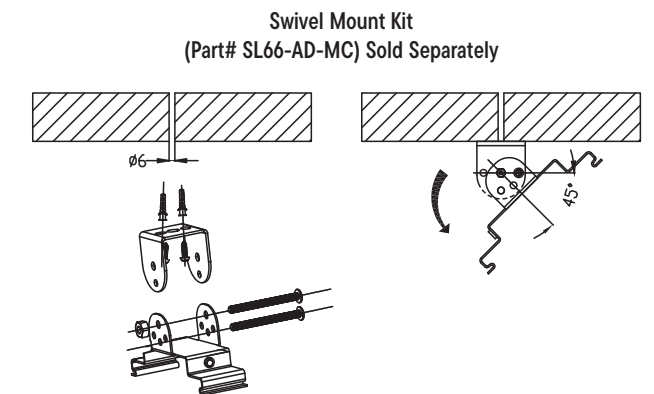
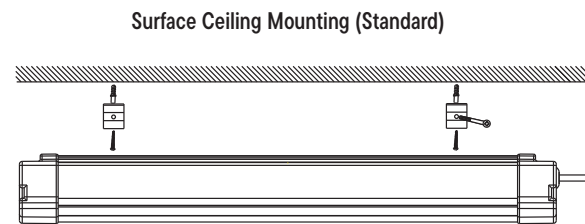
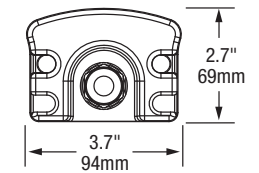
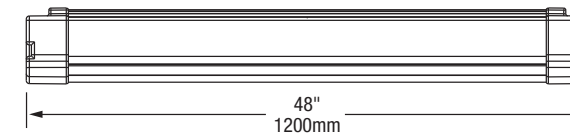
PRODUCT CODES

SL66 - 4FT - 40W - XX

Tri-Proof Light

LED Color
40: 4000K

DIAGRAM



100W LED Work Light

The LED Work Light is an energy savings, impact resistant long life temporary lighting solution for illuminating workplaces, shops, garages, and warehouses.



FEATURES

- Spring loaded hook.
- 10ft power cord with plug.
- 6KV/10KV surge protection.
- Hidden, built-in hidden socket.
- Eye-catching housing.
- Stainless steel guard.
- Epistar LEDs.
- Hollow heat sink.
- Silicone gaskets for damp location use.
- 5-year limited warranty.

APPLICATIONS

- Construction sites
- Machinery illumination
- Automotive garages
- Industrial warehouses
- Repair shops
- Outdoor night projects

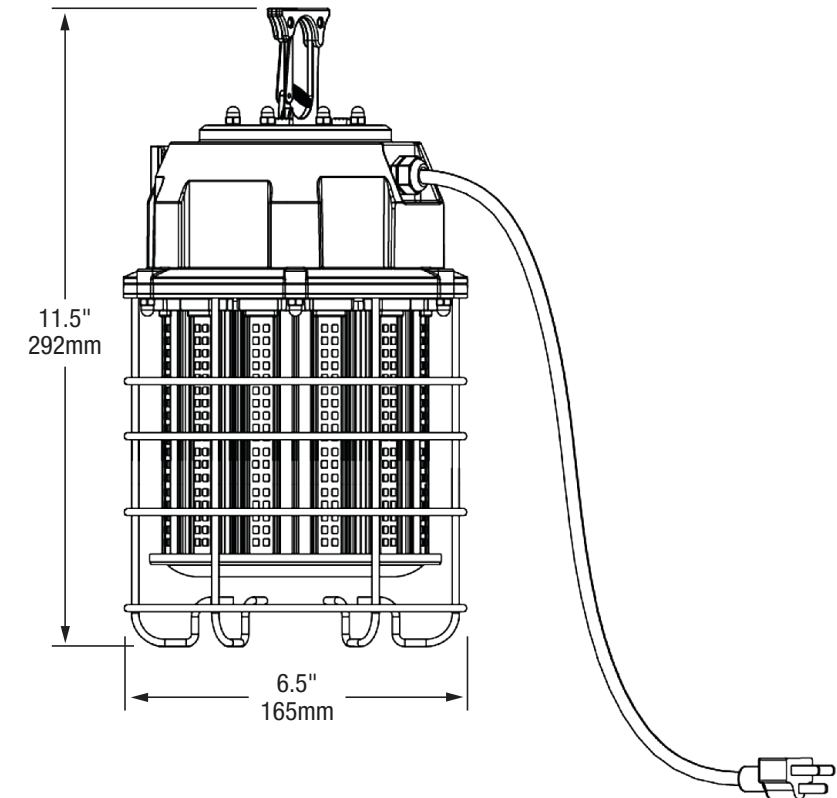
SPECIFICATIONS

Product Code	LWL-100W-50	
Electrical	Input Voltage	120V AC, 50-60Hz
	Power Consumption	60W
Specs	Color Temperature	5000K
	CRI	80+
	Lumen Output	13,500 Lm
	Efficacy	135 Lm/w
	Beam Angle	360°
LED	Type	Epistar 2835
	Life Span	50,000 Hours
	# per foot / unit	408
Design	Dimensions (Inches)	6.5 x 11.5"
	Dimensions (Millimeters)	165 x 292mm
	Finish Color / Trims	Black, yellow
	Product Material	Stainless steel guard
	Max Single Run Length	10 LED work lights
	Operating Temperature	-20°C to 40°C
	Approved Location	Damp
	Mounting	Optional tripod, floor mount, magnet mount accessories
Warranty	5 Years	
Approvals	cULus, listed for damp location	

PRODUCT CODES

LWL - 100W - 50

DIAGRAM



ACCESSORIES



LWL-MM
Magnet mount kit



LWL-FM
Floor mount kit



LWL-TM
Tripod mount kit

60W LED Work Light

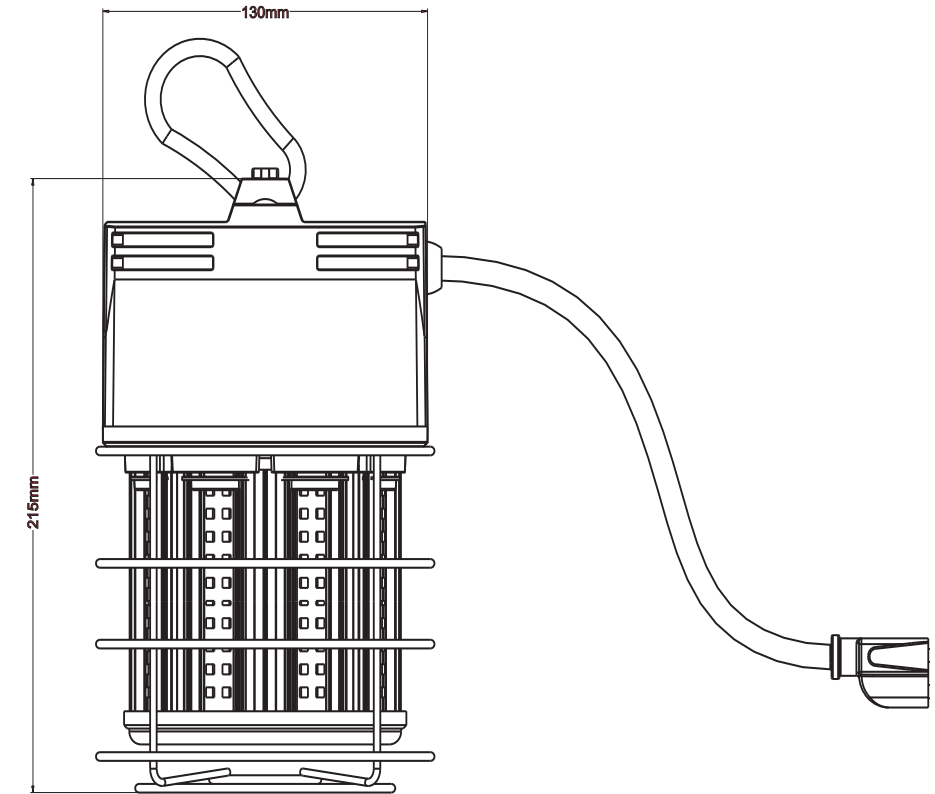
The 60W LED Work Light offers energy-saving, impact-resistant, long-life, temporary lighting solutions for illuminating construction sites, shops, garages, and warehouses.



PRODUCT CODES

LWL - 60W - 50

DIAGRAM



FEATURES

- 5ft power cord with plug.
- Lumen output: 7200LM.
- Built-in hidden socket.
- Up to 10 LED Work Lights per 120V AC tap.
- Stainless steel guard.

- LED color: 5000K.
- Damp location approved.
- 5-year limited warranty.
- Optional tripod, floor mount and magnet mount accessories.

APPLICATIONS

- Construction sites
- Workshops
- Garages
- Warehouses
- Outdoor night projects
- Emergency repair situations

SPECIFICATIONS

SPECIFICATIONS		LWL-60W-50
Product Code	LWL-60W-50	
Electrical	Input Voltage	120V AC, 50-60Hz
	Power Consumption	60W
Specs	Color Temperature	5000K
	CRI	80+
	Lumen Output	7200
	Efficacy	120 Lm/w
	Beam Angle	360°
LED	Type	Epistar 2835
	Life Span	50,000 Hours
	# per foot / unit	408
Design	Dimensions (Inches)	5.12"W x 10.4"H
	Dimensions (Millimeters)	130mm x 215mm
	Finish Color / Trims	Black, yellow
	Product Material	Stainless steel guard
	Max Single Run Length	10 LED work lights
	Operating Temperature	-20°C to 40°C
	Approved Location	Damp
	Mounting	Optional tripod, floor mount, magnet mount accessories
Warranty	5 Years	
Approvals	cETLus and DLC	

ACCESSORIES



LWL-MM
Magnet mount kit



LWL-FM
Floor mount kit



LWL-TM
Tripod mount kit

LED String Work Light

The LED String Work Light features 5 x 8-watt LED fixtures along a 50Ft string, offering bright, efficient, and portable lighting for construction sites, shops, garages, or warehouses.



FEATURES

- Length: 50ft.
- Lumen output: 5000LM.
- Wet location approved.
- LED color: 5000K.
- 40 Watts per string.
- Up to 10 LED string work lights per 120V AC tap.

- Metal wire guard around each fixture.
- Carabiner clip on each fixture.
- 5-year limited warranty.

APPLICATIONS

- Construction sites
- Outdoor events
- Workshops
- Garages
- Warehouses
- Marinas

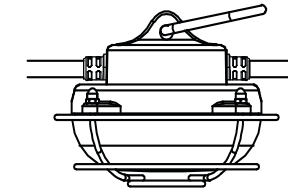
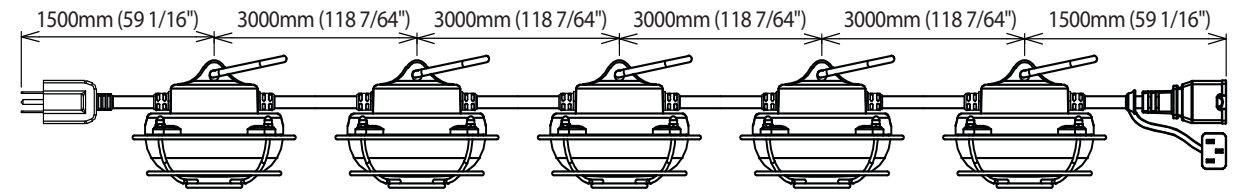
SPECIFICATIONS

Product Code		SWL-60W-50
Electrical	Input Voltage	120V AC, 50-60Hz
	Power Consumption	60W
Specs	Color Temperature	5000K
	CRI	80+
	Lumen Output	7500
	Efficacy	112.5 Lm/w
	Beam Angle	180°
LED	Type	Epistar 2835
	Life Span	50,000 Hours
	Spacing	1500mm (59 1/16") at start/finish, 4 x 3000mm (118 7/64")
	# per foot / unit	5
Design	Dimensions (Inches)	4.5" W x 3" H
	Dimensions (Millimeters)	112 x 78mm
	Finish Color / Trims	Yellow
	Max Single Run Length	50Ft
	Operating Temperature	-20°C to 40°C
	Approved Location	Wet
	Mounting	Carabiner clip
Warranty	5 Years	
Approvals	cETLus	

PRODUCT CODES

SWL - 60W - 50

DIAGRAM



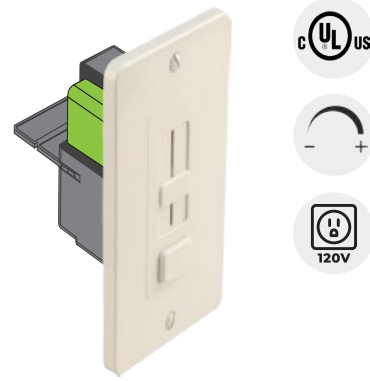


Drivers & Controllers

Switchex®

LED DRIVER + DIMMER IN ONE

SWITCHEX® is a dimmer with an integrated driver that converts 120VAC to either 12VDC or 24VDC. This means SWITCHEX® is all you need between your line voltage and low voltage LED lighting. Best of all, it fits in a standard electrical box.



SWITCHEX® solves two of the most common LED lighting challenges:

- Poor dimming performance that often results when a dimmer and LED driver are made by different manufacturers
- Finding a place to fit the LED driver



FEATURES

- First LED Driver + In-Wall Dimmer Switch in one unit.
- Simplifies LED installation by eliminating compatibility issues between driver and dimmer.
- Fits in a standard recessed electrical box.
- 100% - 1% smooth dimming.
- No minimum load.
- Single pole preset dimmer with on/off push switch.
- Adjustable voltage output dial to address voltage drop.
- Includes voltage barrier partition to install high and low voltage circuit in same switch box.
- No derating required when ganging units.
- Power failure memory: If power is interrupted, SWITCHEX will return to setting prior to interruption.

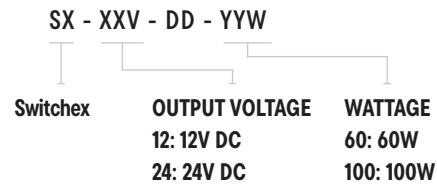
COMPATIBLE FIXTURES

- 24V LED Fixtures
 - Single Color:
 - High Power strip series
 - Low Power strip series
 - eStrip
 - Globe light
 - Hard strip
- 12V LED Fixtures
 - Disc light

SPECIFICATIONS

Product Code		SX-12V-DD-60W	SX-24V-DD-100W
Electrical	Input Voltage	120V AC	
	Output Voltage	12V DC	24V DC
Specs	Max. Load	60W, 5A	100W, 4.2A
	Power Factor	>0.9 @ 120VAC 60Hz max load	
	Efficiency	≥91% @ 120VAC max load	
	Dimmable	Yes	
	Protections	Short circuit, thermal runaway, and over voltage	
	Mounting	Single-Gang Box	
	Connection Type	Hardwire	
Design	Trim Plates	Glossy Brown and Light Almond	
Warranty		2 years	
Approvals		cULus, FCC, RoHS	

PRODUCT CODES



TRIM PLATE (Sold Separately)

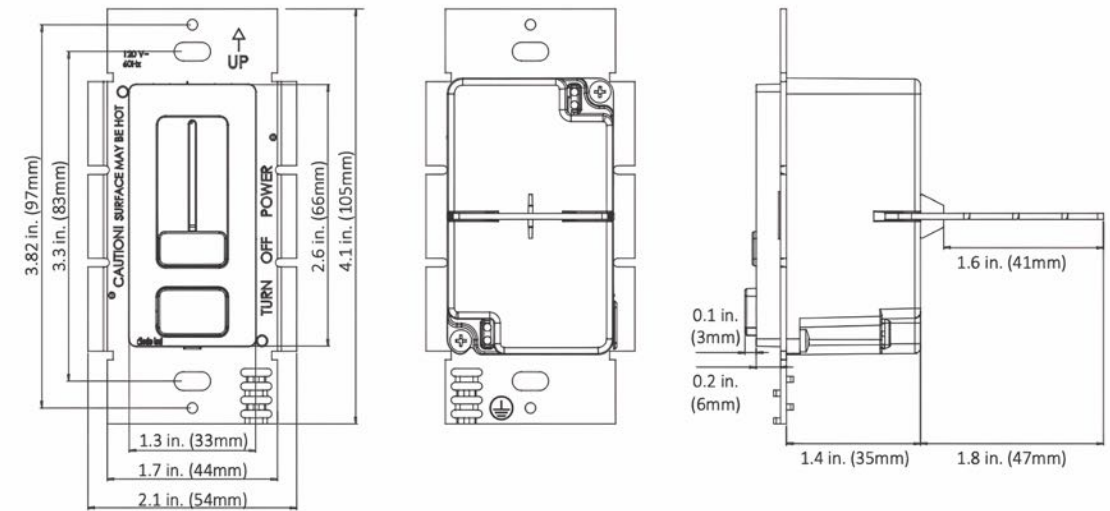
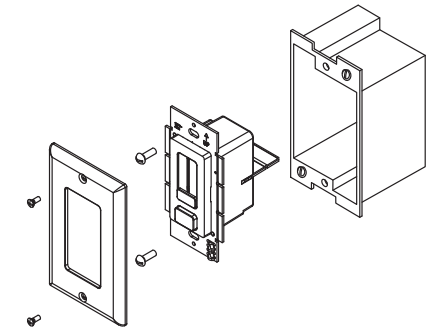
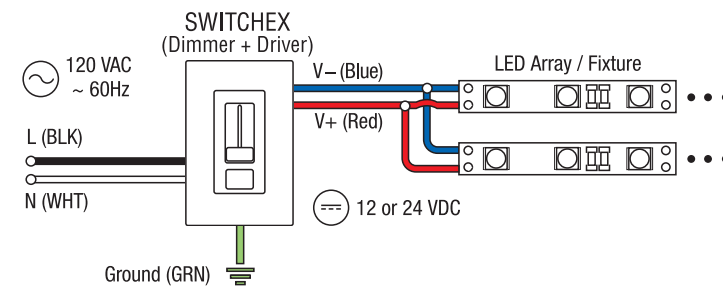


TRIM PLATES



DIAGRAM

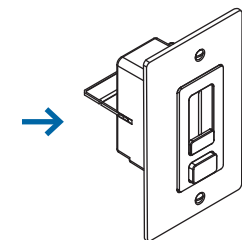
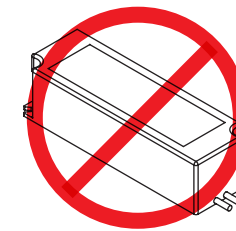
SWITCHEX® Driver and Dimmer Switch Diagram



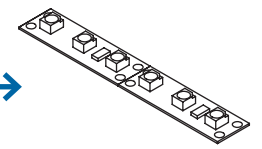
The Driver Is Inside

SWITCHEX® is all you need between your line voltage and low voltage LED lighting. The integrated driver converts 120VAC to either 12VDC or 24VDC and it fits in a standard electrical box.

No Remote Driver Required



SWITCHEX® (Driver + Dimmer)



Low Voltage Tape Light / Fixture

5-Channel High Performance Amplifier

This amplifier uses high current MOSFETs to ensure robust output power and high-speed optical couplers with a 10Mbps rate for precise signal transmission. It seamlessly integrates with all PWM LED controllers, doubling the number of LEDs that can be connected with each additional amplifier. Designed for large-scale, synchronized LED applications, it features optoelectronic isolation for safe and reliable operation.



FEATURES

- High current MOSFET ensures robust output power.
- 10Mbps optical coupler for fast, synchronous signal transmission.
- Compatible with all PWM series LED controllers.
- Expands LED capacity by adding amplifiers.
- Optoelectronic isolation for safe input/output.
- Supports large-scale, synchronized LED applications.

COMPATIBLE FIXTURES

- Please refer to the 'LED Controllers List' section on page 161
- To be used with CNTRL-RGBCCT controller

SPECIFICATIONS

SPECIFICATIONS		
Product Code		CNTRL-AMP
Electrical	Input Voltage	DC12 / DC24V
	Output Current	6A/Channel
	Total Output	Max 15A
Specs	Switching Rate	10Mbps
	Connection	Common anode
	Operating Temperature	-20 to 60°C
Dimensions		1.06 x 4.53 x 1.89 inches
		27 x 115 x 48mm
Approvals		RoHS

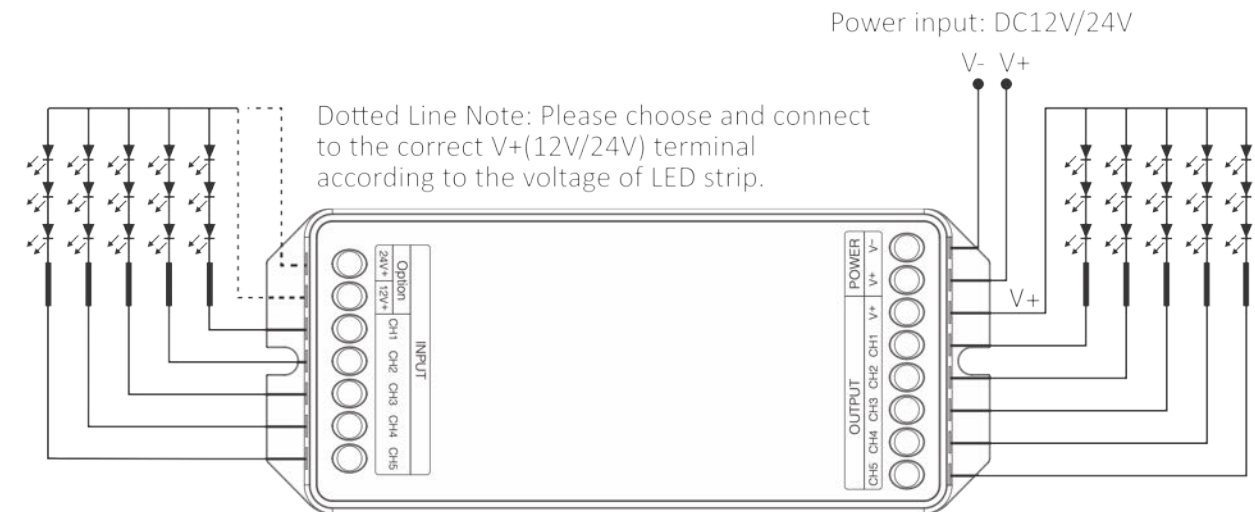
PRODUCT CODES

CNTRL-AMP

DIAGRAM



WORKING DIAGRAM



NOTE:

1. LED strip must be DC12V or 24V.
2. Output and input voltage must be the same.

2 Wire CCT Controller (2.4GHz)

This controller utilizes advanced 2.4GHz wireless technology, offering low power consumption, long transmission range, and strong anti-interference capabilities. It supports color temperature adjustment and dimming, with a 30m remote control range. It features auto-transmitting, supports smartphone app control, and is compatible with third-party voice control when connected via a 2.4GHz gateway. Ideal for hotel and home lighting systems.



FEATURES

- Color temperature adjustable.
- Dim brightness.
- 2.4G RF wireless transmission technology.
- Auto-transmitting.
- Remote control distance 30m.
- Support Smartphone app control (2.4GHz gateway is needed).

COMPATIBLE FIXTURES

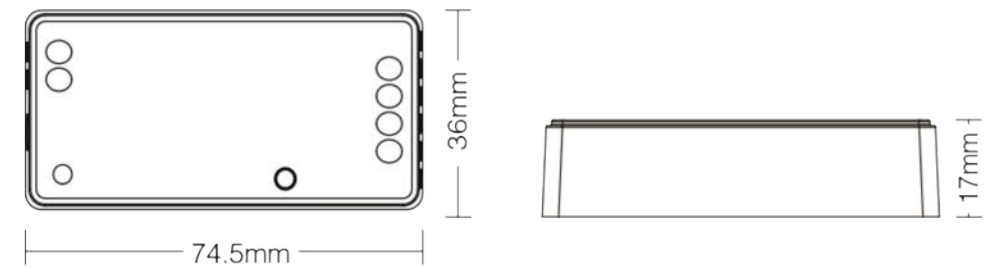
Please refer to the 'LED Controllers List' section on page 161

SPECIFICATIONS		
Product Code		CNTRL-2W-CCT
Electrical	Input Voltage	DC 12 to 48V
	Output	10A/Channel
	Total Output	Max 10A
Specs	Communication Protocol	2.4GHz
	Control Distance	30m
	Working Temperature	-10 to 40°C
Dimensions		2.93 x 1.42 x 0.67 inches
		74.5 x 36 x 17mm
Approvals		RoHS

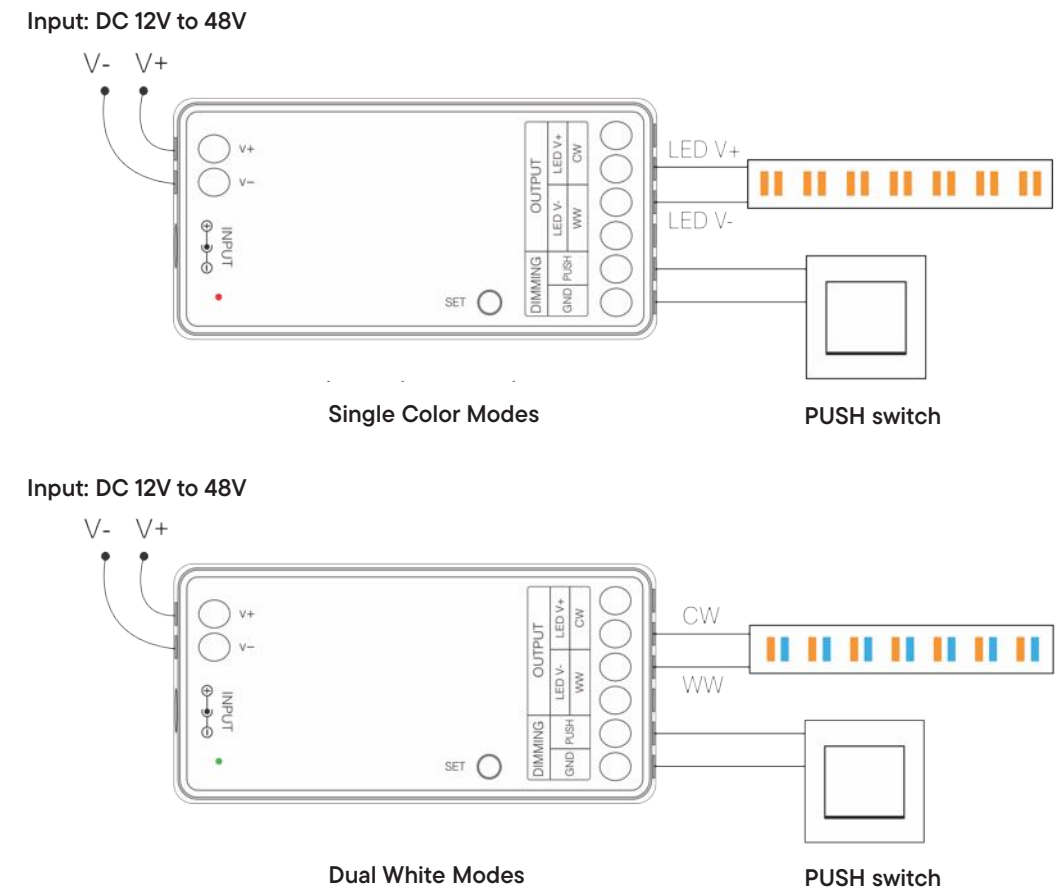
PRODUCT CODES

CNTRL-2W-CCT

DIAGRAM



'CONNECT TO LED STRIP' DIAGRAM



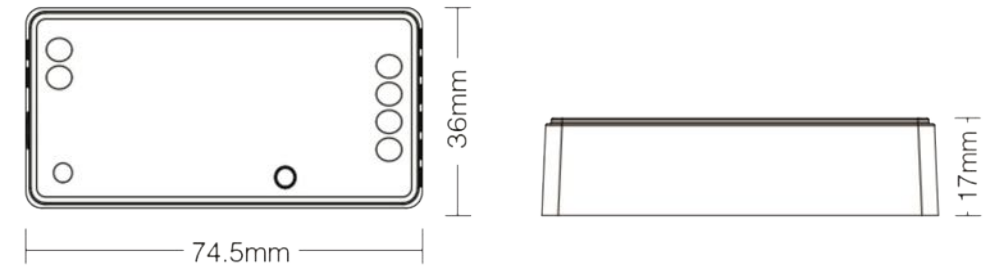
NOTE: Controller input voltage must be in accordance with the required voltage of LED Strips.

3 in 1 LED Strip Controller (WiFi+2.4G)

This controller integrates WiFi, Bluetooth, and 2.4G wireless technology for versatile LED control. It supports RGB, RGBW, and RGB+CCT modes, offering 16 million colors, adjustable brightness, and music rhythm sync. With a 30-meter control range and compatibility with voice assistants like Alexa and Google Assistant, it ensures seamless, synchronized lighting across multiple devices.



DIAGRAM



FEATURES

- WiFi, Bluetooth, and 2.4G wireless transmission technology.
- Supports RGB, RGBW, and RGB+CCT modes switching with one button.
- Adjustable color temperature, brightness, and saturation.
- Control via the Tuya Smart app for remote, group, and scene management.
- Integration with third-party voice assistants like Alexa and Google Assistant.
- 2.4G RF remote control with a control distance of up to 30 meters.
- Auto-transmitting and synchronization for consistent lighting across devices.
- DMX512 controllability for RGB+CCT output mode.
- Music rhythm synchronization for dynamic lighting effects.
- Device sharing for multi-user control.
- Tap-to-Run and automation features for customizable control.
- Sleep and wake-up plans, including timing settings and countdowns.

COMPATIBLE FIXTURES

Please refer to the 'LED Controllers List' section on page 161

SPECIFICATIONS		
Product Code		CNTRL-RGBCCT
Electrical	Input Voltage	DC12 / DC24V
	Output Current	6A/Channel
	Total Output	Max 12A
Specs	Communication Protocol	WiFi+2.4GHz
	Control Distance	30m
	WiFi Standard	IEEE 802.11b/g/n 2.4GHz
	Bluetooth Protocol	Bluetooth 4.2 (low power consumption)
	Operating Temperature	-10 to 40°C
Dimensions		2.93 x 1.42 x 0.67 inches
		74.5 x 36 x 17mm
Approvals		RoHS

PRODUCT CODES

CNTRL-RGBCCT

0/1~10V Dimming Controller

This versatile dimming driver provides precise 0-100% brightness control via 0-10V, 1-10V, and 10V PWM signals. It features 2.4GHz wireless technology for smartphone and voice assistant control (gateway required). With long-range, stable signal transmission and auto-transmitting capabilities, it's ideal for seamless integration into various lighting systems, offering reliable performance and easy installation.



FEATURES

- Supports 0-10V, 1-10V, and 10V PWM dimming.
- Links with 2.4G remotes via SET button, up to 30m range.
- Auto-transmits signals for extended control distance.
- Includes DND mode for power conservation.
- Compatible with Tuya Smart app (2.4GHz gateway required).
- Supports Alexa, Google Assistant, and other voice controls (gateway required).

COMPATIBLE FIXTURES

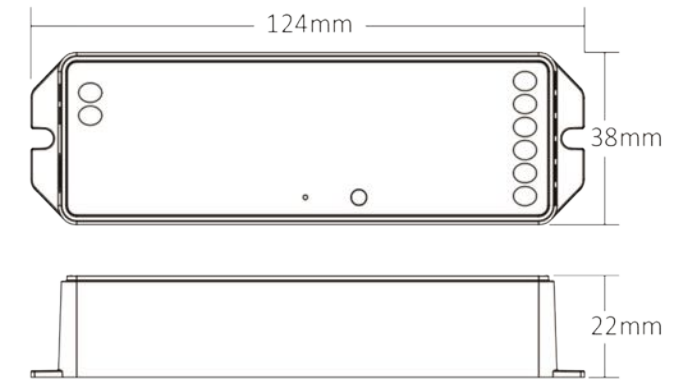
Please refer to the 'LED Controllers List' section on page 161

SPECIFICATIONS		
Product Code		CNTRL-0-10V-DIM
Electrical	Input Voltage	DC12-48V
	Output Current	Max 12A
	Output Power	144-576W
	Output Type	0~10V/1~10V/10VPWM/PUSH Dimming
Specs	Control Signal	2.4GHz RF
	Control Distance	30m
	IP Rating	IP20
	Dimming Range	0.1% - 100%
	Operating Temperature	-10 to 40°C
Dimensions		1.50 x 4.88 x 0.87 inches
		38 x 124 x 22mm
Approvals		RoHS

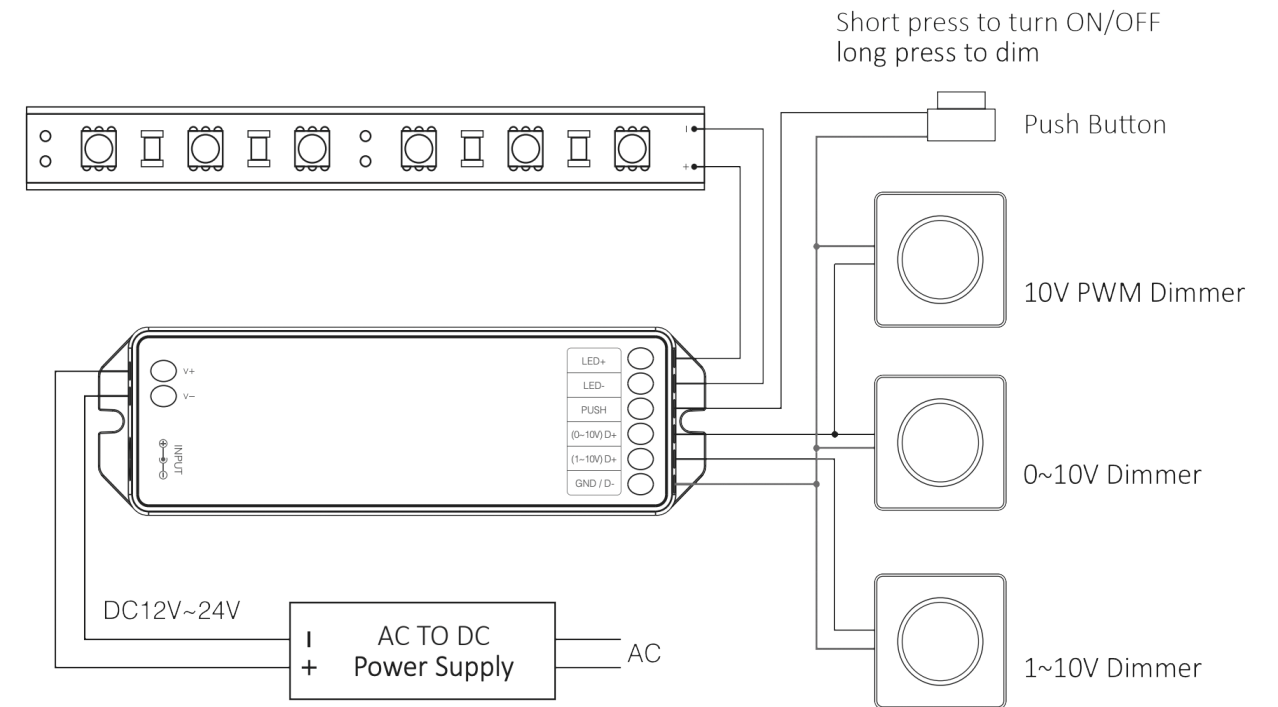
PRODUCT CODES

CNTRL-0-10V-DIM

DIAGRAM



CONNECTION DIAGRAM



8 Zone RGB+CCT Wall Panel Remote

Control up to 8 zones with 16 million colors, adjustable saturation, color temperature, and brightness. Features a high-precision capacitive touch IC and 2.4G RF wireless transmission technology. Offers a control distance of up to 30 metres.



FEATURES

- Adopt a high precision capacitive touch IC.
- 2.4G RF wireless transmission technology.
- Control distance: 30m.
- 16 million colors.
- Brightness, color temperature and saturation adjustable.

COMPATIBLE FIXTURES

- Please refer to the 'LED Controllers List' section on page 161
- This remote is compatible with CNTRL-RGBCCT controller

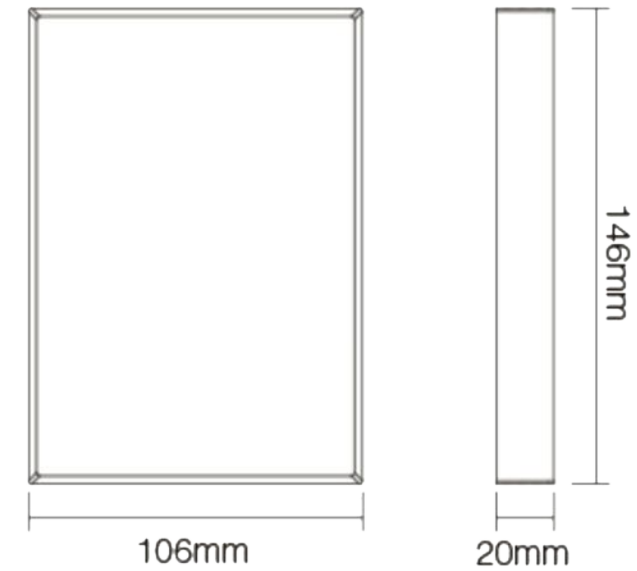
SPECIFICATIONS

Product Code	CNTRL-8Z-RGBCCT-WP	
Electrical	Working Voltage	3V (AAA * 2PCS) / DC3.3V
	Standby Power Consumption	30 Microamperes
	Transmitting Power	6dBm
Specs	Control Distance	30m
	Transmission Frequency	2400-2483.5MHz
	Modulation Method	GFSK
	Material	Elegant stalinite panel and high-precision touching IC
	Operating Temperature	-20 to 60°C
Dimensions	4.17 x 5.75 x 0.79 inches	
	106 x 146 x 20mm	
Approvals	RoHS	

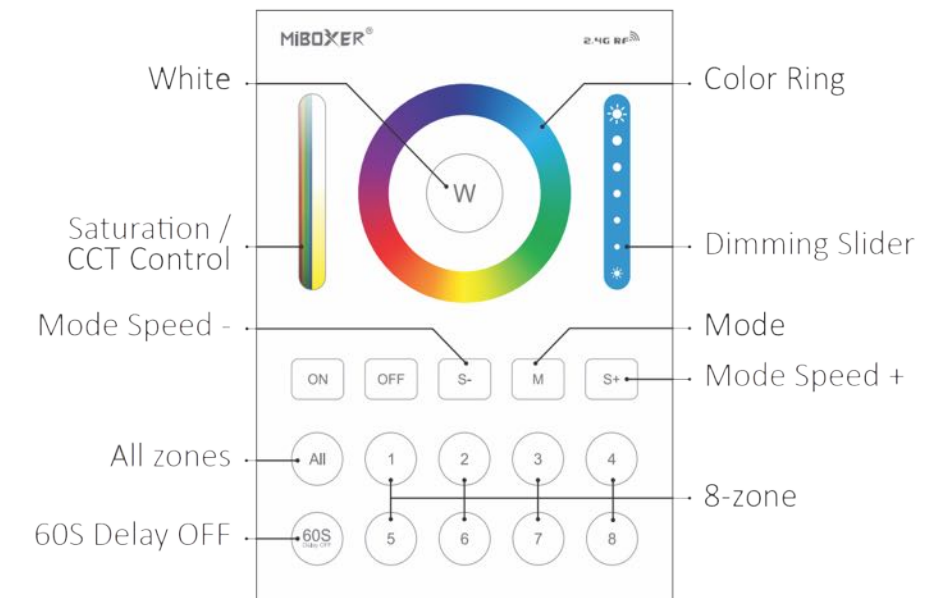
PRODUCT CODES

CNTRL-8Z-RGBCCT-WP

DIAGRAM



FUNCTIONAL DIAGRAM



NOTE: When touching the button, LED indicating lamp will flash once with different sound (Touch slider with no sound).

Rotating CCT Scene Remote

This compact remote controls brightness and color temperature via 2.4GHz wireless technology with a 30m range. It supports saving up to four scene presets and controls multiple devices simultaneously. Featuring a rotating dial for easy adjustments and magnetic mounting for simple installation, it's available in black or white.



FEATURES

- 2.4GHz wireless transmission technology with a 30m control range.
- Adjustable brightness and color temperature for customized lighting.
- Controls multiple devices simultaneously for a unified setup.
- Supports saving up to four scene presets for quick access.
- Magnetic mounting for easy and secure installation.
- Compact design with a rotating dial for precise adjustments.
- Low power consumption with strong anti-interference capabilities.
- Fast communication speed for responsive control.
- Available in black or white to match various decors.

COMPATIBLE FIXTURES

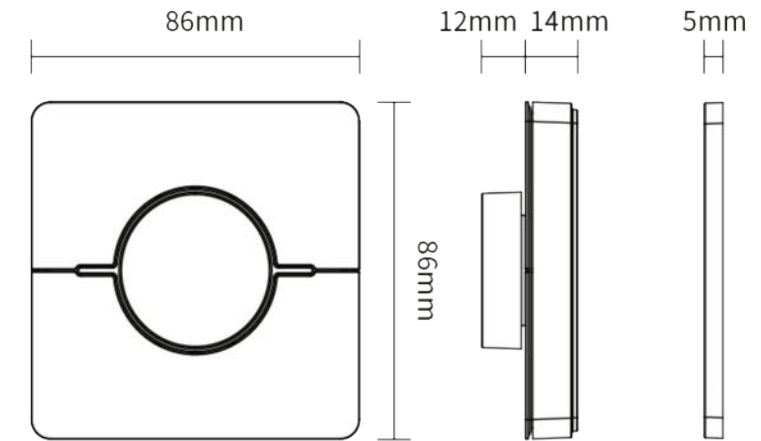
- Please refer to the 'LED Controllers List' section on page 161
- To be used with CCT controllers

SPECIFICATIONS		
Product Code	CNTRL-4Z-CCT-RWP-WH OR CNTRL-4Z-CCT-RWP-BK	
Electrical	Working Voltage	3V (AAA * 2PCS)
	Standby Power Consumption	6 Microamperes
	Transmitting Power	6dBm
Specs	RF	2.4GHz
	Control Distance	30m
	Modulation Method	GFSK
	Operating Temperature	-10 to 40°C
Dimensions	3.39 x 3.39 x 1.02 inches	
	86 x 86 x 26mm	
Approvals	RoHS	

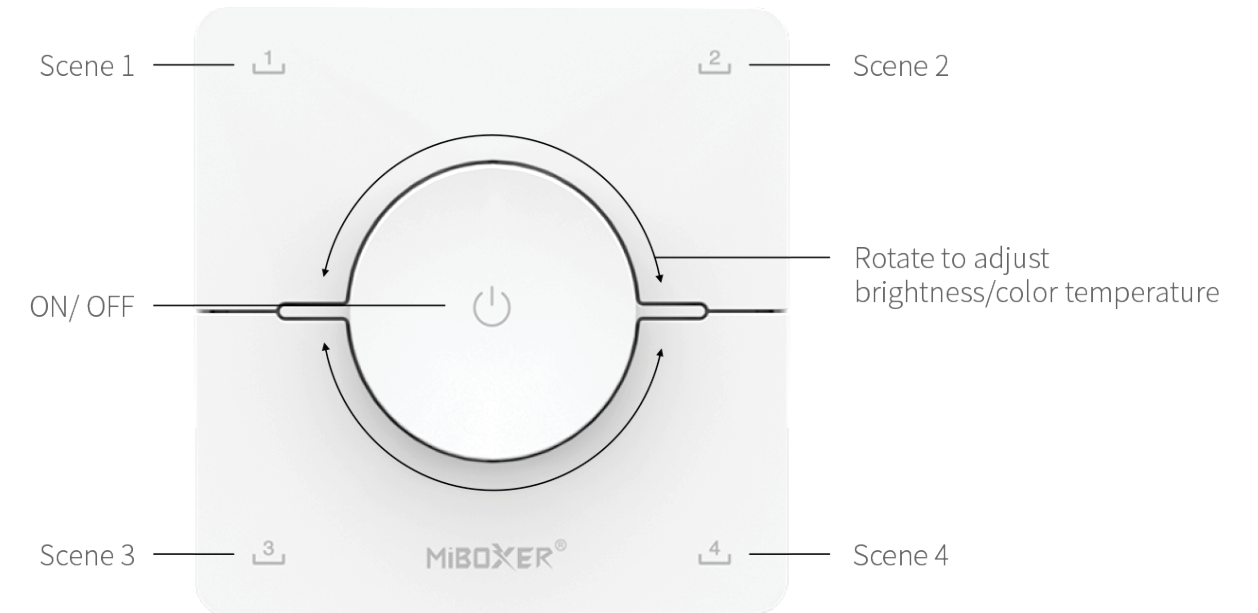
PRODUCT CODES

CNTRL-4Z-CCT-RWP-WH (White)
OR
CNTRL-4Z-CCT-RWP-BK (Black)

DIAGRAM



FUNCTIONAL DIAGRAM



4 Zone CCT Remote

(Color Temperature Remote)

This remote utilizes 2.4GHz RF wireless transmission technology, offering low power consumption, a 30m control range, and strong anti-interference capabilities. It allows precise control over color temperature and brightness across four individual zones. Its magnetic base ensures secure installation, and its compact design makes it user-friendly and portable, ideal for creating customizable lighting scenes.



FEATURES

- 2.4GHz RF technology with 30m range and low power consumption.
- Independent control of up to four separate zones.
- Adjustable color temperature and brightness.
- Strong magnetic base for easy installation.
- Supports saving one favorite scene (for lamps V2.0 or higher).
- Supports unlimited receivers within the 30m range.
- Compact, user-friendly, and portable design.

COMPATIBLE FIXTURES

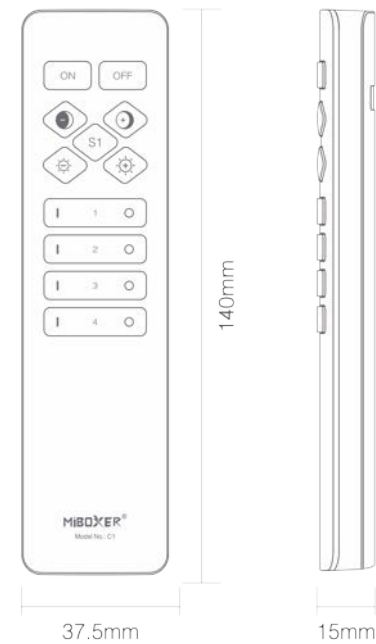
- Please refer to the 'LED Controllers List' section on page 161
- To be used with CNTRL-2W-CCT controller

SPECIFICATIONS		
Product Code	CNTRL-4Z-CCT-RM	
Electrical	Working Voltage	3V (AAA * 2PCS)
	Standby Power Consumption	5 Microamperes
	Transmitting Power	6dBm
Specs	RF	2.4GHz
	Control Distance	30m
	Transmission Frequency	2400-2483.5MHz
	Modulation Method	GFSK
	Operating Temperature	-10 to 40°C
Dimensions	1.48 x 5.51 x 0.59 inches	
	37.5 x 140 x 15mm	
Approvals	RoHS	

PRODUCT CODES

CNTRL-4Z-CCT-RM

DIAGRAM



FUNCTIONAL DIAGRAM



4-Zone RGB+CCT Remote

This advanced remote uses 2.4GHz RF wireless transmission, offering precise control up to 30 meters. It supports four independent zones, allowing limitless control of RGB+CCT lighting, with full adjustments for brightness, color temperature, saturation, and flashing speed. With 16 million colors to choose from, it provides flexible lighting control for various environments. The remote features a strong magnetic base for convenient and secure mounting.



FEATURES

- 2.4GHz wireless transmission with a stable signal and anti-interference.
- Control range of up to 30 meters.
- Manages four independent zones with limitless controllers and lamps per zone.
- Supports adjustment of brightness, color temperature, and saturation.
- 16 million color options available.
- Capable of controlling multiple devices simultaneously.
- Adjusts color, brightness, mode, and speed of dynamic modes.
- Simple magnetic installation for secure placement.
- Ideal for both commercial and home lighting scenes.

COMPATIBLE FIXTURES

- Please refer to the 'LED Controllers List' section on page 161
- To be used with CNTRL-RGBCCT controller

SPECIFICATIONS		
Product Code	CNTRL-4Z-RGBCCT-RM	
Electrical	Working Voltage	3V (AAA * 2PCS)
	Standby Power Consumption	15 Microamperes
	Transmitting Power	6dBm
Specs	RF	2.4GHz
	Control Distance	30m
	Modulation Method	GFSK
	Operating Temperature	-10 to 40°C
Dimensions	1.77 x 5.51 x 0.71 inches	
	45 x 140 x 18mm	
Approvals	RoHS	

PRODUCT CODES

CNTRL-4Z-RGBCCT-RM

DIAGRAM



FUNCTIONAL DIAGRAM



Dimmable Driver/Dimmer Compatibility List

Our dimmable LED drivers offer smooth brightness control, letting you adjust your LED lighting from fully lit (100%) to completely off (0%). These drivers are Class 2 certified and built to work with the majority of standard Magnetic Low Voltage (MLV) and Incandescent TRIAC (leading edge) dimmers. Trusted brands like Lutron and Leviton, prevalent in both residential and commercial settings, are compatible with our drivers, ensuring broad availability and ease of integration.

Note: Compatibility list may change without prior notice.

DIMMER COMPATIBILITY LIST				
DIMMER TYPE - LISTED	TRE24L96DC	TRE24L40DC	TRE12L60DC	TRE12L20DC
Lutron Caseta, Wireless PD-6WCL (MLV)	Dims to 0%	Dims to 0%	Dims to 0%	Dims to 0%
Lutron Maestro, Wireless MRF-2-6CL (MLV)	Dims to 1%	Dims to 1%	Dims to 1%	Dims to 1%
Lutron Radio RA2 RRD-6ND (MLV)	Dims to 0%	Dims to 0%	Dims to 0%	Dims to 0%
Lutron Maestro MA-600 (MLV)	Dims to 0%	Dims to 0%	Dims to 0%	Dims to 0%
Leviton Decora Smart DW6HD (MLV)	Dims to 0%	Dims to 0%	Dims to 0%	Dims to 0%
Lutron Nova T NTLV-600 (MLV)	Dims to 1%	Dims to 1%	Dims to 1%	Dims to 1%
Lutron Diva DVLV-600P (MLV)	Dims to 0%	Dims to 0%	Dims to 0%	Dims to 0%
Lutron Diva DVLV-103P (MLV)	Dims to 0%	Dims to 0%	Dims to 0%	Dims to 0%
Lutron Caseta, Wireless PD-10NXD	Dims to 0%	Dims to 0%	Dims to 0%	Dims to 0%
Lutron Maestro MA-PRO (MLV Mode)	Dims to 0%	Dims to 0%	Dims to 0%	Dims to 0%
Lutron Radio RA2 RRD-PRO (MLV Mode)	Dims to 1%	Dims to 1%	Dims to 1%	Dims to 1%
Lutron Caseta, Wireless PD-5NE (MLV Mode)	Dims to 0%	Dims to 0%	Dims to 0%	Dims to 0%
Lutron Caseta, Smart Home Plug-in PD-3PCL	Dims to 0%	Dims to 0%	Dims to 0%	Dims to 0%
Lutron Maestro MACL-153P	Dims to 0%	Dims to 0%	Dims to 0%	Dims to 0%
Lutron Maestro MSC-1000M	Dims to 0%	Dims to 0%	Dims to 0%	Dims to 0%
Lutron Toggle TGCL-153P	Dims to 0%	Dims to 0%	Dims to 0%	Dims to 0%
Lutron Sunnata Touch STCL-153P	Dims to 0%	Dims to 0%	Dims to 0%	Dims to 0%
Leviton Decora Smart DW1KD-1BZ	Dims to 0%	Dims to 0%	Dims to 0%	Dims to 0%
Leviton Decora Digital DDMX1-BLZ	Dims to 1%	Dims to 1%	Dims to 1%	Dims to 1%
Leviton Decora Slide DSM10	Dims to 1%	Dims to 1%	Dims to 1%	Dims to 1%
Leviton Decora Slide DSL06-1LZ	Dims to 0%	Dims to 0%	Dims to 0%	Dims to 0%
GE Z-Wave Plus ZW3005	Dims to 0%	Dims to 0%	Dims to 0%	Dims to 0%
WeMo WiFi F7C059	Dims to 0%	Dims to 0%	Dims to 0%	Dims to 0%
TP-Link Kasa Smart HS220P3	Dims to 0%	Dims to 0%	Dims to 0%	Dims to 0%
Leviton Lumina RF DL1KD-1BZ (MLV)	Dims to 1%	Dims to 1%	Dims to 1%	Dims to 1%

LED Drivers & Step Down Transformers

An LED driver is a specialized electrical device that manages power for an LED or groups of LEDs. Unlike standard power supplies, an LED driver adapts to the LED's changing requirements, ensuring it receives a consistent power supply as its electrical characteristics vary with temperature.

INDOOR/OUTDOOR NON-DIMMABLE DRIVERS	
PGID2448 / PGID2496	Plug-in driver, delivers 48W/96W with a 0.9 power factor, ideal for 24V lighting systems

INDOOR/OUTDOOR NON-DIMMABLE DRIVERS	
LEDDR-12-60W	60W 12V DC, 5A Class 2 LED Driver, outdoor rated
LEDDR-24-120W	LED Driver, 24VDC, 120W, Class 5A, 60W, 2 circuit at 60W each

INDOOR/OUTDOOR DIMMABLE DRIVERS		
TRE12L20DC	Electronic LED Driver 20W, 12V DC IP67 rated Dimmable	Dimmable with any standard MLV / Incandescent TRIAC-(leading edge) dimmer switch
TRE12L60DC	Electronic LED Driver 60W, 12V DC IP67 rated Dimmable	Dimmable with any standard MLV / Incandescent TRIAC-(leading edge) dimmer switch
TRE24L40DC	Electronic LED Driver 40W, 24V DC IP67 rated Dimmable	Dimmable with any standard MLV / Incandescent TRIAC-(leading edge) dimmer switch
TRE24L96DC	Electronic LED Driver 96W, 24V DC IP67 rated Dimmable	Dimmable with any standard MLV / Incandescent TRIAC-(leading edge) dimmer switch
E-KO-SR	Wet Location Strain Relief for E Series Drivers, PG7, clamping range dia. 3-6.5mm	-



PGID2448
PGID2496



LEDDR-12-60W



LEDDR-24-120W



TRE12L20DC
TRE12L60DC



TRE24L40DC
TRE24L96DC



E-KO-SR

STEP DOWN TRANSFORMERS	
DLT-100-277	277VAC -120VAC, 100VA, Step Down Transformer
DLT-60-277	277V AC -120VAC, 60VA, Step Down Transformer
DLT-277	277VAC -120VAC, 25VA, Step Down Transformer

LED Drivers Selector Chart

	Neon Flex	SL Series and ST Series†	Globe Light	Wedge Light
INDOOR/OUTDOOR NON-DIMMABLE DRIVERS				
LEDDR-12-60W 12V, 60W, hardwire, outdoor, Max. 60W	-	-	-	Max. 200 Wedges
LEDDR-24-120W 24V, 120W, hardwire, outdoor, Max. 120W	Max 40' (12.1m) per single tap, Max 48'(14.6m) combined two secondary taps	Max. recommended load 90W or 20' (6.1m) per single tap, 120W or 27' (8.53m) combined two secondary taps. CCT series: 16' (4.88m) per single tap, 20'(6.1m) combined two secondary taps	Max. 180 Globes per single tap, max. 120 combined two secondary taps	-
INDOOR/OUTDOOR DIMMABLE DRIVERS				
TRE12L20DC†† 12V, 20W, hardwire, outdoor, dimmable, Max. 18W, Min. 10W	-	-	-	Max. 80 Wedges
TRE12L60DC†† 12V, 60W, hardwire, outdoor, dimmable, Max. 54W, Min. 30W	-	-	-	Max. 200 Wedges
TRE24L40DC†† 24V, 40W, hardwire, outdoor, dimmable, Max. 36W, Min. 20W	Max 14.5' (4.4m) Min 8 watts, 3.3' (1m) LED Neon Flex	LED Strip Series: Max. recommended load 36W or 8' (2.44m), Min. 8W or 2' (.61m)	Max. 80 Globes	-
TRE24L96DC†† 24V, 100W, hardwire, outdoor, dimmable, Max. 90W, Min. 50W	Max 40'(12.1m) Min 8 watts, 3.3' (1m) LED Neon Flex	LED Strip Series: Max. recommended load 90W or 20' (6.1m), Min. 8W or 2' (.61m)	Max. 180 Globes	-

	Hard Strip	eStrip	Disc Light	MiniDisc Light
INDOOR/OUTDOOR NON-DIMMABLE DRIVERS				
LEDDR-12-60W 12V, 60W, hardwire, outdoor, Max. 60W	-	-	Max. 18 LEDD	Max. 200 LEDMD
LEDDR-24-120W 24V, 120W, hardwire, outdoor, Max. 120W	-	Max. 90' (27.43m) per single secondary tap, max. 120' (36.58m) combined two secondary taps. RGB eStrip & HP eStrip: 40' (12.1m) per single secondary tap, 50' (15.24m) combined secondary taps	-	-
INDOOR/OUTDOOR DIMMABLE DRIVERS				
TRE12L20DC†† 12V, 20W, hardwire, outdoor, dimmable, Max. 18W, Min. 10W	-	-	Max. recommended load 18W or 6 LEDD Min. recommended load 8W or 3 LED Disc Lights	Max. 75 LEDMD Min. recommended load 8W or 34 LED MiniDisc Lights
TRE12L60DC†† 12V, 60W, hardwire, outdoor, dimmable, Max. 54W, Min. 30W	-	-	Max. recommended load 54W or 18 LEDD Min. recommended load 8W or 3 LED Disc Lights	Max. 200 LEDMD Min. recommended load 8W or 34 LED MiniDisc Lights
TRE24L40DC†† 24V, 40W, hardwire, outdoor, dimmable, Max. 36W, Min. 20W	Max. recommended load 36W, Min. 8W LED Hard Strip	LED eStrip: Max. 37.5' (11.43m), Min. 8W, 9' LED eStrip (2.44m). High Power: Max. 18' (5.49m), Min. 4' (1.2m)	-	-
TRE24L96DC†† 24V, 100W, hardwire, outdoor, dimmable, Max. 90W, Min. 50W	Max. recommended load 90W, min. 8W LED Hard Strip	LED eSTRIP: Max. 90' (27.4m), Min. 8W, 9' LED eStrip (2.44m). High Power: Max. 40' (12.19m), Min. 4' (1.2m)	-	-

† NOTE: SL Series represents Standard Line Tape Series; ST Series represents Standard Tape Series

†† TRE drivers require E-KO-SR for outdoor applications

* Please refer to catalogue for # of LEDs per fixture.

LED Controllers List

The selection includes a PIR Motion Sensor for 12/24V DC systems, facilitating energy-efficient, motion-activated lighting. The lineup features WiFi Signal Amplifiers and Controllers, compatible with RGB, RGBW, and CCT setups, ensuring robust signal strength and versatile light management.

NOTE: Compatibility list may change without prior notice.



LV-SPIR-1CH-LV



CNTRL-AMP
Works with CNTRL-RGBCCT controller



CNTRL-2W-CCT



CNTRL-RGBCCT



CNTRL-0-10V-DIM



CNTRL-8Z-RGBCCT-WP
Works with CNTRL-RGBCCT controller



**CNTRL-4Z-CCT-RWP-WH OR
CNTRL-4Z-CCT-RWP-BK**
Works with CCT controllers



CNTRL-4Z-CCT-RM
Works with CNTRL-2W-CCT controller



CNTRL-4Z-RGBCCT-RM
Works with CNTRL-RGBCCT controller

Product	Description	Compatible Fixtures
CONTROLLERS & AMPLIFIERS		
CNTRL-AMP	5-Channel High Performance Amplifier	<ul style="list-style-type: none"> Outdoor/Indoor RGBW (RGB+3000K) SL-OD-RGB30K-20-BA8 RGB High Power Indoor ST-ID-RGB-HP-20-B8 RGB eStrip LES-XX-RGB (XX: Length in feet) Neon Flex NFLX-XX-YY (XX: Length in feet; YY: Color temperature) LED Hard Strip RGB LV-HS-RGB-24T2-X (X: Size)
CNTRL-2W-CCT	2 Wires 2 in 1 LED Controller (2.4GHz)	<ul style="list-style-type: none"> Tunable CCT, High Power Indoor SL-ID-CCT-HP-XX-A8 Tunable CCT, Low Power Indoor SL-ID-CCT-LP-XX-A8 Tunable CCT, High Power Outdoor SL-OD-CCT-HP-20-B8 Tunable CCT, Low Power Outdoor SL-OD-CCT-LP-XX-B8
CNTRL-RGBCCT	3 in 1 LED Strip Controller (WiFi+2.4G)	<ul style="list-style-type: none"> Outdoor/Indoor RGBW (RGB+3000K) SL-OD-RGB30K-20-BA8 RGB High Power Indoor ST-ID-RGB-HP-20-B8 RGB eStrip LES-XX-RGB (XX: Length in feet) Neon Flex NFLX-XX-YY (XX: Length in feet; YY: Color temperature) LED Hard Strip RGB LV-HS-RGB-24T2-X (X: Size)
CNTRL-0-10V-DIM	0/1-10V Dimming Controller	<ul style="list-style-type: none"> Low Power Indoor (3000K) SL-ID-30K-LP-XX-A8 Standard Tape, High Power Indoor (2700K) ST-ID-27K-HP-20-B0 Standard Tape, High Power Indoor (3000K) ST-ID-30K-HP-20-B0 Standard Tape, Low Power Indoor (2700K) ST-ID-27K-LP-20-B0 Standard Tape, Low Power Indoor (3000K) ST-ID-30K-LP-20-B0 Gen II LED Hard Strip LV-HS-PD20-24V-YY-XX (XX: Length; YY: LED color) Neon Flex (Single Color) NFLX-XX-YY (XX: Length in feet; YY: Color temperature) Low Power eStrip LES-XX-YY (XX: Length in feet; YY: Color temperature) High Power eStrip LESHP-XX-YY (XX: Length in feet; YY: Color temperature)
CNTRL-8Z-RGBCCT-WP	8 Zone RGB+CCT Wall Panel Remote	<ul style="list-style-type: none"> Outdoor/Indoor RGBW (RGB+3000K) SL-OD-RGB30K-20-BA8 RGB High Power Indoor ST-ID-RGB-HP-20-B8 RGB eStrip LES-XX-RGB (XX: Length in feet) Neon Flex NFLX-XX-YY (XX: Length in feet; YY: Color temperature) LED Hard Strip RGB LV-HS-RGB-24T2-X (X: Size)
CNTRL-4Z-CCT-RWP-WH/ CNTRL-4Z-CCT-RWP-BK	Rotating CCT Scene Remote (Available in White or Black Color)	<ul style="list-style-type: none"> Tunable CCT, High Power Indoor SL-ID-CCT-HP-XX-A8 Tunable CCT, Low Power Indoor SL-ID-CCT-LP-XX-A8 Low Power Indoor (3000K) SL-ID-30K-LP-XX-A8
CNTRL-4Z-CCT-RM	4 Zone CCT Remote	<ul style="list-style-type: none"> Tunable CCT, High Power Indoor SL-ID-CCT-HP-XX-A8 Tunable CCT, Low Power Indoor SL-ID-CCT-LP-XX-A8 Tunable CCT, High Power Outdoor SL-OD-CCT-HP-20-B8 Tunable CCT, Low Power Outdoor SL-OD-CCT-LP-XX-B8 Low Power Indoor (3000K) SL-ID-30K-LP-XX-A8
CNTRL-4Z-RGBCCT-RM	4-Zone RGB+CCT Remote	<ul style="list-style-type: none"> Outdoor/Indoor RGBW (RGB+3000K) SL-OD-RGB30K-20-BA8 Tunable CCT, High Power Outdoor SL-OD-CCT-HP-20-B8 Tunable CCT, Low Power Outdoor SL-OD-CCT-LP-XX-B8 RGB High Power Indoor ST-ID-RGB-HP-20-B8 RGB eStrip LES-XX-RGB (XX: Length in feet) Neon Flex NFLX-XX-YY (XX: Length in feet; YY: Color temperature) LED Hard Strip RGB LV-HS-RGB-24T2-X (X: Size)
SENSORS		
LV-SPIR-1CH-LV	PIR Motion Sensor, 1 Channel, 12/24V DC	Used in thermal sensing applications, such as security and motion detection

• **About product codes** — SL: Streamline Tape; ST: Standard Tape; ID: Indoor; OD: Outdoor; HP: High Power; LP: Low Power; XX: Length in feet; YY: Color temperature; A: 2219 LED; B: 2835 LED; 8: 8mm PCB; 0: 10mm PCB.
 • **Please check the product pages for available sizes (XX).**

Transformers - Magnetic



ETL listed indoor and outdoor.



TR-12-150
10" x 3.1" x 3"
1 circuit at 150 watts for 12V AC



TR-12-240
10" x 4.25" x 3.6"
1 circuit at 240 watts for 12V AC



TR-12-300 or TR-24-300
10" x 4.25" x 3.6"
2 circuits at 150 watts each for 12V AC
1 circuit at 300 watts for 24V AC



TR-24-480
11.1" x 4.75" x 4.25"
1 circuit at 480 watts for 24V AC



TR-24-600
11.1" x 4.75" x 4.25"
2 circuits at 300 watts each for 24V AC



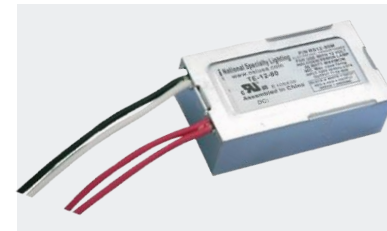
TR-24-960
12.5" x 7.0" x 4.75"
2 circuits at 480 watts each for 24V AC

Transformers - Electronic



UL listed as a component ("RU" Marking).

*NOTE: Check your fixture listing for acceptability. All connections must be made per fixture listing and NEC.
120V AC input/11.6V AC output.



TE-12-75
12 Volt, 75 watt Electronic Transformer



TECLT-12-60
6.5" x 1.5" x 1.5"
Class 2, 1 circuit at 60 watts, for 11.7V AC

Appendix

	SUB-CATEGORY	LIGHTING SOLUTION	TECHNICAL DETAILS	PAGE
LINEAR LIGHTING	STREAMLINE TAPE (SL) SERIES	SINGLE COLOR, LOW POWER INDOOR (3000K)	24V; 1.46 W/FT; EFFICACY: 110LM/W; 3000K; 40' MAX RUN	5
		TUNABLE CCT INDOOR, HIGH POWER & LOW POWER	HP: 24V; 2.74 W/FT; EFFICACY: 110LM/W; 2700K - 6500K; 20' MAX RUN	7
			LP: 24V; 1.22 W/FT; EFFICACY: 110LM/W; 2700K - 6500K; 20' MAX RUN	
		OUTDOOR/INDOOR RGBW (RGB+3000K)	24V; 2.19 W/FT FOR RGB, 2.19 W/FT FOR 3000K; 70LM/W; RGB + 3000K; 40' MAX RUN	9
		TUNABLE CCT OUTDOOR, HIGH POWER & LOW POWER	HP: 24V; 4.27 W/FT; EFFICACY: 110LM/W; 2700K - 6500K; 20' MAX RUN	11
	LP: 24V; 1.83 W/FT; EFFICACY: 110LM/W; 2700K - 6500K; 40' MAX RUN			
	STANDARD TAPE (ST) SERIES	STANDARD TAPE, HIGH POWER INDOOR (2700K & 3000K)	27K: 24V; 4.39W/FT; EFFICACY: 10LM/W; 2700K; 20' MAX RUN	13
			30K: 24V; 4.39W/FT; EFFICACY: 10LM/W; 2700K; 20' MAX RUN	
		STANDARD TAPE, LOW POWER INDOOR (2700K & 3000K)	27K: 24V; 2.19 W/FT; EFFICACY: 120LM/W; 2700K; 40' MAX RUN	15
			30K: 24V; 2.19 W/FT; EFFICACY: 120LM/W; 2700K; 40' MAX RUN	
	RGB HIGH POWER INDOOR	24V; 4.39 W/FT; EFFICACY: 36LM/W; RGB; 20' MAX RUN	17	
	-	TAPE SELECTION GUIDE	-	19
		APPLICATIONS, DRIVERS & CONTROLLERS	-	21
		TAPE REPLACEMENT CHART: PART 1	-	23
		TAPE REPLACEMENT CHART: PART 2	-	25
		EXTRUSIONS	-	27
	120V ESTRIP	120V ESTRIP	120V AC; 4W/FT; 2700/3000/4000K; 164' MAX RUN; OUTPUT: 280-340 LM/FT	29
		120V RGB ESTRIP	120V AC; 4W/FT; 2700/3000/4000K; 164' MAX RUN; OUTPUT: 280-340 LM/FT	31
	ESTRIP	LOW POWER ESTRIP	24V; 0.96W/FT; AMBER, RED, PURE GREEN; 3000/5800K. 90' MAX RUN; OUTPUT: 61LM/FT	33
		HIGH POWER ESTRIP	24V; 2.2W/FT; 3000/5800K; 40' MAX RUN; OUTPUT: 137-155 LM/FT	35
RGB ESTRIP		24V; 2.2W/FT; RGB; 40' MAX RUN	37	
NEON FLEX	NEON FLEX	24V; 2.44W/FT; RED, GREEN, BLUE, AMBER; RGB; 3000/4000/6000K; 40' MAX RUN; OUTPUT: 61LM/FT	39	
STRING LIGHTS	GLOBE LIGHT	24V; 0.5W; 2700/6000K; RED, GREEN, BLUE, AMBER; 150' MAX RUN; OUTPUT: 50 LM/FIXTURE	41	
	WEDGE LIGHT	12V; 25W/FT; AMBER; RED; GREEN; 2700/6000K. 100' MAX RUN; OUTPUT: 55-61 LM/FT	43	
WALL WASHER	24V WALL WASHER	24V; 5.8W/FT; 2700/3000/4000K; 16' MAX RUN; OUTPUT: 100-110 LM/FT	45	
	WALL WASHER 4' ENCLOSED	24V; 23.2W; 2700/3000/4000K; OUTPUT: 400-440LM	47	

	SUB-CATEGORY	LIGHTING SOLUTION	TECHNICAL DETAILS	PAGE
UNDER CABINET LIGHTING	-	LED TASK STAR PRO (3CCT)	120V AC; 3W-20W; 2700/3300/4000K; OUTPUT: 150-1000LM	51
		5CCT LED TASK BAR	120V AC. 3.5W-20W; 2700/3000/3500/4000/5000K; OUTPUT: 290-1892LM	53
		GEN II 3-COLOR TEMP. CHANGE LED TASK STAR	120V AC; 5W-25W; 3000/4000/5000K; OUTPUT: 310-1500LM	55
		GEN II LED HARD STRIP	24V; 4W-16W; 3000/4200K; OUTPUT: 380-1150 LM/FIXTURE	57
		LED EDGELIT PUCK LIGHTS	24V; 4W; 3000K; OUTPUT: 200LM	59
LANDSCAPE LIGHTING	FLOOD AND SPOT LIGHTS	UPLIGHT (WATTAGE ADJUSTABLE)	12V; 0-12W; 3000K; OUTPUT: 900LM	63
		UPLIGHT (RGBW)	12V; 0-8W; RGBW; OUTPUT: 500LM	65
		12V MINI FLOOD LIGHT	12V; 1-5W; 3000K; OUTPUT: 400LM	67
		120V MINI FLOOD LIGHT (CCT)	120V AC; 15-50W; 3000/4000/5000K; OUTPUT: 1750-7000LM	69
	PATHWAY LIGHTS	MODERN PATHWAY LIGHT	12V; 1-3W; 3000K; OUTPUT: 80-240LM	71
		ROUND TEA-HAT PATHWAY LIGHT	12V; 1-3W; 3000K; OUTPUT: 80-240LM	73
		HD CLASSIC PATHWAY LIGHT	12V; 5W; 3000K; OUTPUT: 400LM	75
		COMMERCIAL BOLLARDS	120V-347V AC; 8W-25W; 3000/4000/5000K; OUTPUT: 1000-3125LM	77
	WALL AND DECK LIGHTS	SURFACE MOUNT DECK LIGHT	12V; 1-3W; 3000K; OUTPUT: 60-180LM	79
		OUTDOOR WALL SCONCE	120V-240V AC; 15W; 3000/4000K; OUTPUT: 1300LM	81
		BRICK STAR (GEN II)	120V AC; 5.2W; 3000K; OUTPUT: 468LM	83
		STEP STAR (GEN II)	120V AC; 5.2W; 3000K; OUTPUT: 468LM	85
		SWITCH STAR	120V AC; 1.4W; 2700K; OUTPUT: 80LM	87
	IN GROUND LIGHTS	DISC LIGHT	12V; 3W; 2700/5500K; AMBER; OUTPUT: 95-98LM	89
		DISC LIGHT DOME	12V; 3W; 2700/5500K; OUTPUT: 95-98LM	91
MINI DISC MARKER LIGHT		12V; 0.24W; 2900/5400K; BLUE, GREEN, AMBER, RED	93	
MINI DISC LIGHT (SCOOP)		12V; 0.24W; 2900/5400K; BLUE, GREEN, AMBER, RED	95	
TRANSFORMERS & ACCESSORIES	WELL LIGHT	12V; 6W; 3000K; OUTPUT: 580LM	97	
	100W TRANSFORMER	120V; 100W MAX; 12V	99	
	300W TRANSFORMER	120V; 300W MAX; 12-15V; 13AMP BREAKER ON PRIMARY	101	

Appendix (Continued)

	SUB-CATEGORY	LIGHTING SOLUTION	TECHNICAL DETAILS	PAGE
DOWN LIGHTING	THIN LINES	5CCT ULTRA-THIN LED RECESSED CEILING LIGHT	120V AC; 9/12W; 2700/3000/3500/4000/5000K; OUTPUT: 850/1200LM	105
		5CCT LED THIN LINE DOWN LIGHT (ROUND)	120V AC; 6-20W; 2700/3000/3500/4000/5000K; OUTPUT: 490/2200LM	107
		5CCT LED THIN LINE DOWN LIGHT (SQUARE)	120V AC; 9/12W; 2700/3000/3500/4000/5000K; OUTPUT: 780/1100LM	109
	REGRESSED	REGRESSED DOWN LIGHT (CCT)	120V AC; 9-12W; 2700/3000/4000K; OUTPUT: 630-1165LM	111
	GIMBAL	5CCT LED GIMBAL DOWN LIGHT	120V AC; 8/14/18W; 2700/3000/3500/4000/5000K; OUTPUT: 700/1350/1500LM	113
	SURFACE MOUNT / DECORATIVE	SURFACE MOUNT DOWN LIGHTS (ROUND)	120V AC; 11-22W; 3000/4000K; OUTPUT: 880-1850LM	115
		SURFACE MOUNT DOWN LIGHTS (SQUARE)	120V AC; 11-22W; 3000/4000K; OUTPUT: 880-1850LM	117
		CEILING LIGHTS	120V AC; 25W; 3000K; OUTPUT: 1875LM	119
		WALL SCENCE	120V AC; 15W; 3000K; OUTPUT: 1500LM	121
	T-EDGE LIGHTS	T-LED EDGE LIGHT (5CCT)	100-277V AC; 20-60W; 3000/3500/4000/5000/6500K; OUTPUT: 2500-5000LM/ 5000-7500LM	123
	FIRE RATED	5CCT FIRE RATED THIN LINE	120V AC; 12/15W; 2700/3000/3500/4000/5000K.; OUTPUT: 1075/1418LM	125
		5CCT FIRE RATED REGRESSED DOWNLIGHT	120V AC; 12/15W; 2700/3000/3500/4000/5000K.; OUTPUT: 1075/1418LM	129
INDUSTRIAL LIGHTING	-	TRI-PROOF LIGHTS	100-277V AC; 40W; 4000K; OUTPUT: 4400LM	131
		100W LED WORK LIGHT	100-277V AC; 100W; 5000K; OUTPUT: 12500LM	133
		60W LED WORK LIGHT	120V AC; 60W; 5000K; OUTPUT: 7200LM	135
		LED STRING WORK LIGHT	120V AC; 60W; 5000K; OUTPUT: 7500LM	137
DRIVERS & CONTROLLERS	DRIVERS & CONTROLLERS			139
	DIMMABLE DRIVER/DIMMER COMPATIBILITY LIST			159
	LED DRIVERS & STEP DOWN TRANSFORMERS			160
	LED DRIVERS SELECTOR CHART			161
	LED CONTROLLERS LIST			163
TRANSFORMERS	MAGNETIC & ELECTRONIC			165
APPENDIX	-			167

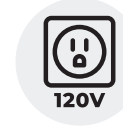
Featured Logos/Icons



Intertek's ETL Certified



Energy Star Certified



120 Volts of AC Power



cULus Certified



DLC Certified



CCT



Wet Location Listed



RGB



Dimmable



Wattage Adjustable

WARRANTY

NATIONAL SPECIALTY LIGHTING (NSL) warrants this lighting system to be free from defects in material and/or workmanship, under normal use and service, for a period of THREE to FIFTEEN YEARS (please refer to the specification table on the product page for warranty details) from the date of original purchase.

In the event of a defect in material or workmanship during the warranty period, NSL will repair or replace (at its option) your Lighting System under the conditions of warranty. NSL will do this at its expense for the cost of materials but not for shipping. THIS REMEDY IS THE SOLE AND EXCLUSIVE REMEDY FOR ANY AND ALL CLAIMS RELATING TO ANY BREACH OF WARRANTY BY NSL.

LIMITATIONS, EXCLUSIONS AND OTHER RIGHTS

- A. Except as provided herein, NSL makes no other warranties express or implied, including but not limited to the implied warranties of merchantability or fitness for a particular purpose, and all such warranties are expressly disclaimed.
- B. In no event shall NSL be liable for indirect, incidental or consequential damages, even if NSL has been advised of the possibility of such damage. This disclaimer applies during and after warranty period.
- C. NSL is not responsible for malfunctions in and/or damage to Lighting Systems where a sale is specifically made without warranty. In such an event the disclaimers of warrant and liability, set forth above, shall continue to apply.
- D. This warranty covers normal consumer use and does not cover damage which occurs during shipment or failure which results from alteration, accident, theft, misuse, abuse, abnormal use, negligent installation, improper maintenance or where adequate care has not been taken to prevent ice or snow damage to the lighting system.
- E. Specifically, when installing mini disc lights in harsh environments such as limestone, salted areas, coastal environments etc. Please use the stainless steel version to avoid the risk of corrosion to body of fixture and voiding warranty.

If you discover a defect or malfunction during the period to which this warranty applies, call or email NSL's amazing customer care team for information or to receive warranty service.

Note: You must contact our office for a RETURN GOODS AUTHORIZATION number before returning product. After inspection it will be determined whether a credit is due.



Free Shipping

Once a customer has reached a cumulative purchase level of \$3,000.00, they are entitled to free normal UPS ground freight charges within the 48 contiguous states on every order* (residential deliveries excluded) *Minimum \$100.00 order to qualify for free freight. With our prompt delivery pledge National Specialty Lighting offers same day shipping on all non-custom orders placed before 11:30am Eastern Time.



365 Day Return Policy

The 365-day return policy allows customers to take advantage of new National Specialty Lighting products, define new markets and help to build their business. A National Specialty Lighting Stocking Distributor may return any current stock item within 12 months of purchase date for a restocking fee of 50%. The restocking fee will be waived if the distributor places a stock order of equal value or greater than the value of the items being returned. No special catches or exceptions. Items are sent back to National Specialty Lighting prepaid in the original packaging, and merchandise is in resalable condition.



No Minimum Orders

National Specialty Lighting does not have a minimum order requirement, and never will. Some companies require you to purchase large quantities of products or meet a specific spending target. Companies use the excuse that it's the cost to process the order. National Specialty Lighting orders are filled regardless of how large or small they are! If you want to purchase just one item to finish a project, no problem, your order is always treated as a priority.



Tracking Orders

Tracking your order has never been easier; simply provide us with an email address and you will automatically be notified when your order has been shipped. All orders are shipped though UPS. Send an email to nslsales@nslusa.com.

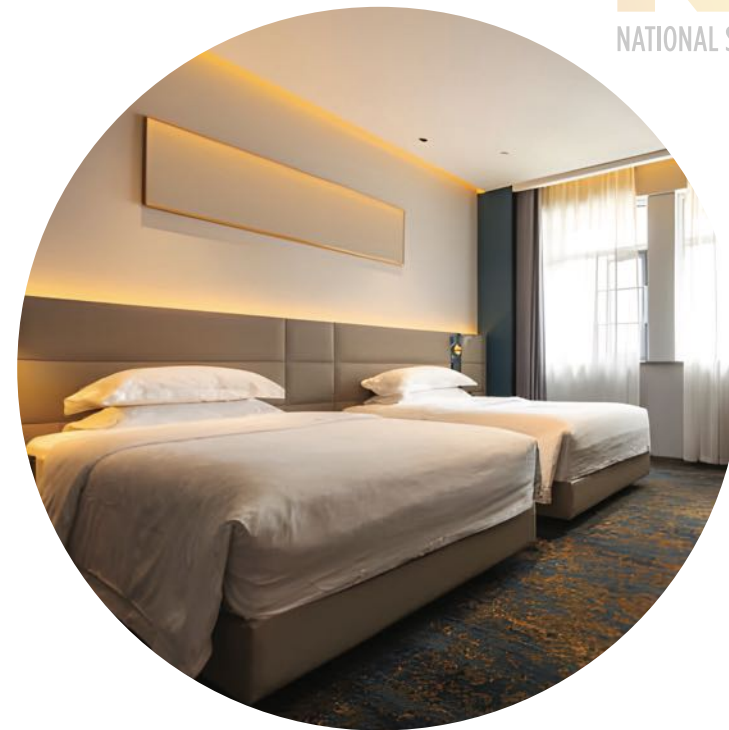
Customer care: nslsales@nslusa.com | (303) 926-1100 | 1-800-527-4358

For more FAQs, feel free to visit: <https://www.nslusa.com/resources/faqs>



NSL
NATIONAL SPECIALTY LIGHTING

NSL
NATIONAL SPECIALTY LIGHTING



OUTDOOR LIGHTING

INDOOR LIGHTING



